



GRANDIOR CABINETRY

PRODUCT SPECIFICATION GUIDE



METROPOLITAN

S E R I E S



METROPOLITAN SERIES
GRANDIOR KITCHEN & BATH CABINETRY

Limited Lifetime Warranty

GRANDIOR Cabinetry (warrantor) warrants to the original consumer purchaser, that all products manufactured or supplied by warrantor will be free from defects in material and workmanship. This warranty is for your lifetime as long as you own the cabinetry, on product used for Residential Purposes only and is not transferable to subsequent owners. Proof of Purchase is required.

This warranty does not cover damage resulting from normal wear, accident, misuse or lack of reasonable and necessary maintenance and service; nor does it warranty the improper installation or unauthorized repair, alteration, or modification or defects in the product when the product is installed. This warranty is limited to the repair or replacement of the defective part at the sole discretion of warrantor. Warranty is limited to GRANDIOR Cabinetry branded products excluding all electrical components: Excluded items may carry separate warranties as provided directly by the manufacturer of these products.

It is our option to provide repair parts or replace with functionally equivalent product. Return of product may be required for replacements. Such repair parts or replacement shall be at warrantor's expense, but customer shall bear all other expenses, including, but not limited to, cost of removal, transportation, re-installation, communication and any special service required by customer such as, overtime labor, etc.

Natural woods and finishes vary in color, grain pattern and exhibit color changes over time. Cabinets may darken or lighten with age due to exposure to certain environmental conditions including but not limited to sunlight, moisture, household cleaners, smoke, etc. Painted cabinets may show cracking at seams. These variations are considered the natural characteristics of the material and finishes and are not covered under this warranty.

In the event of a warranted product performance issue, submit request including proof of purchase documentation, specific description of warranty issue (include photos) in writing to:

Due to nature of materials and finishes GRANDIOR Cabinetry cannot guarantee warranty replacement will be an exact match.

GRANDIOR Cabinetry reserves the right to alter design, specifications and material without obligation to make changes to product previously manufactured.

EXCEPT TO THE EXTENT PROVIDED BY APPLICABLE LAW, ALL IMPLIED WARRANTIES, INCLUDING WARRANTIES OF MERCHANTABILITY AND FITNESS FOR A PARTICULAR PURPOSE, ARE LIMITED IN DURATION TO THE SHORTER OF THE PERIOD PROVIDED BY LAW OR THE PERIOD OF THIS WARRANTY, AND UNDER NO CIRCUMSTANCE SHALL GRANDIOR CABINETRY BE LIABLE FOR INCIDENTAL OR CONSEQUENTIAL DAMAGES SUSTAINED IN CONNECTION WITH THE PRODUCT. THE EXPRESS WARRANTY ABOVE CONSTITUTES THE ENTIRE WARRANTY AND IS IN LIEU OF ALL OTHERS EXPRESSED OR IMPLIED.

Some states do not allow the exclusion or limitation of incidental or consequential damages, or limitation on how long an implied warranty lasts, therefore, the above limitations or exclusions may not apply to you. This warranty gives you specific legal rights, and you may also have other rights, which vary from state to state.

INDEMNITY

GRANDIOR Cabinetry shall not be liable for either its failure to perform or its delays in performance hereunder arising out of or resulting from causes beyond its control, including but not limited to, acts of God, acts of Representation, acts of Government, wars, fires, floods, epidemics, quarantine, strike, freight embargoes, weather or default by suppliers due to any such causes.

TABLE OF CONTENTS



Door Styles..... 2-5

Cabinet Construction..... 6

Customizing Options 7

Matching Interior Options 8

Style Tips9-11

Wall Cabinets..... 12-25

Wall Cabinet Matching Skins & Cover Panels 26-27

Accent Cabinets..... 28-30

Base Cabinets 31-38

Base Cabinet Matching Skins & Cover Panels..... 39

Tall Cabinets 40-47

Tall Cabinet Matching Skins & Cover Panels..... 48

Vanity Cabinets..... 49-54

Vanity Cabinet Matching Skins & Cover Panels 55

Accessories..... 56-60

Decorative Hardware 61-64

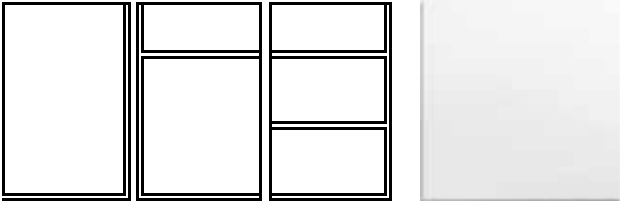
Cabinet Frame & Opening Dimensions..... 65-67

Cabinet Front Only Availability Guide 68

PLEASE NOTE: Line drawings are artistic representations of products for general dimensioning purposes. These should not be relied upon for accurate product appearance. Please consult the website or a designer if you have any questions or specific design requirements.

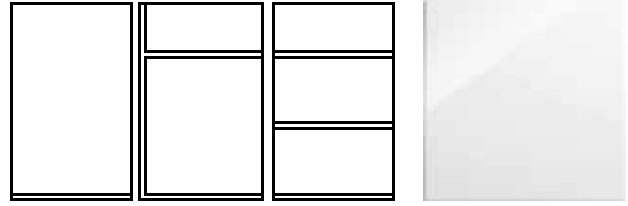
Flat Panel Door Styles

Manhattan Matte White (301)



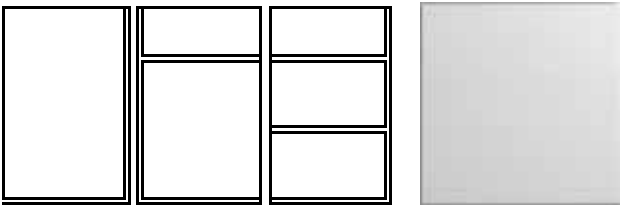
- 3/4" thick particleboard flat panel door and drawer fronts, with durable thermo-fused melamine finish
- Full Overlay door style, on a solid birch face frame
- Edges sealed with color-matched PVC edge banding
- Doors are mounted on a white face frame
- 6-way adjustable, soft-close concealed hinges
- Decorative hardware required

Manhattan High Gloss White (306)



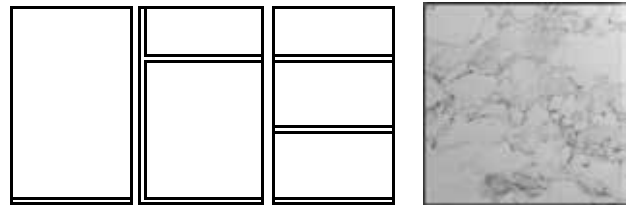
- 3/4" thick melamine faced MDF with scratch resistant high gloss lacquer finish
 - 2x as scratch resistant as thermofoil (PVC/PET)
 - 6x more scratch resistant than acrylic
- Full Overlay door style, on a solid birch face frame
- Edges sealed with color-matched PVC edge banding
- Doors are mounted on a white face frame
- 6-way adjustable, soft-close concealed hinges
- Decorative hardware required

Manhattan Glacier (307)



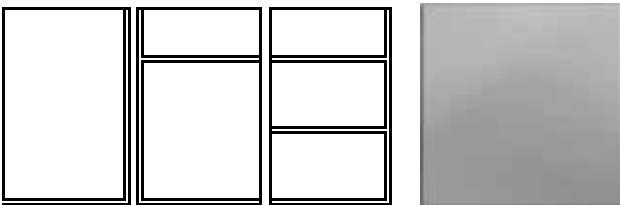
- 3/4" thick particleboard flat panel door and drawer fronts, with durable thermo-fused melamine finish
- Full Overlay door style, on a solid birch face frame
- Edges sealed with color-matched PVC edge banding
- Doors are mounted on a white face frame
- 6-way adjustable, soft-close concealed hinges
- Decorative hardware required

Manhattan Satin Touch Monument (316)



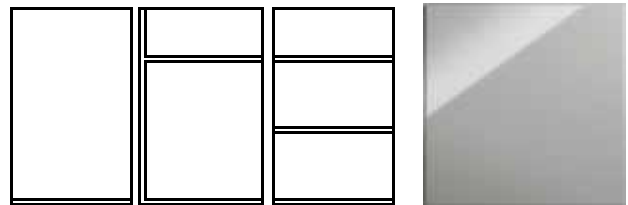
- 3/4" thick melamine faced MDF with scratch resistant high gloss lacquer finish
 - 2x as scratch resistant as thermofoil (PVC/PET)
 - 6x more scratch resistant than acrylic
- Full Overlay door style, on a solid birch face frame
- Edges sealed with color-matched PVC edge banding
- Doors are mounted on a white face frame
- 6-way adjustable, soft-close concealed hinges
- Decorative hardware required

Manhattan Matte Gray (304)



- 3/4" thick particleboard flat panel door and drawer fronts, with durable thermo-fused melamine finish
- Full Overlay door style, on a solid birch face frame
- Edges sealed with color-matched PVC edge banding
- Doors are mounted on a gray face frame
- 6-way adjustable, soft-close concealed hinges
- Decorative hardware required

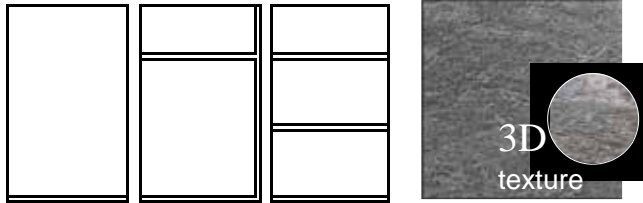
Manhattan High Gloss Metallic (309)



- 3/4" thick melamine faced MDF with scratch resistant high gloss lacquer finish
 - 2x as scratch resistant as thermofoil (PVC/PET)
 - 6x more scratch resistant than acrylic
- Full Overlay door style, on a solid birch face frame
- Edges sealed with color-matched PVC edge banding
- Doors are mounted on a gray face frame
- 6-way adjustable, soft-close concealed hinges
- Decorative hardware required

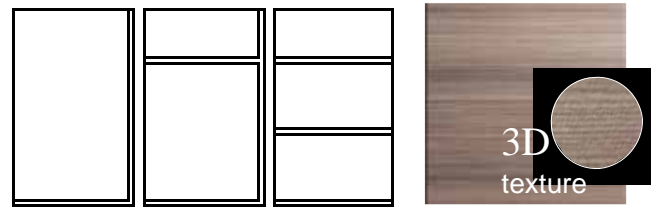
Flat Panel Door Styles

Manhattan Castle Rock (311)



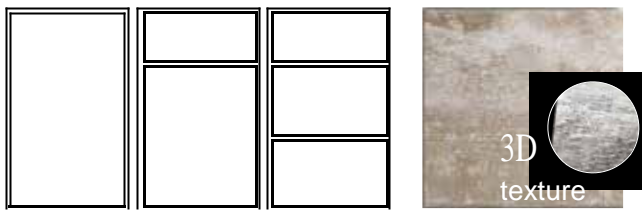
- 3/4" thick particleboard flat panel door and drawer fronts, with durable thermo-fused melamine finish
- Full Overlay door style, on a solid birch face frame
- Edges sealed with color-matched PVC edge banding
- Doors are mounted on a gray face frame
- 6-way adjustable, soft-close concealed hinges
- Decorative hardware required

Manhattan Platinum (305)



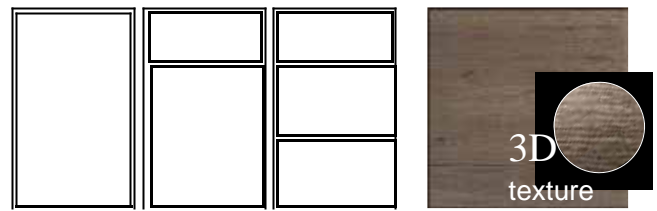
- 3/4" thick particleboard flat panel door and drawer fronts, with durable thermo-fused melamine finish
- Full Overlay door style, on a solid birch face frame
- Edges sealed with color-matched PVC edge banding
- Doors are mounted on a gray face frame
- 6-way adjustable, soft-close concealed hinges
- Decorative hardware required

Manhattan Driftwood (308)



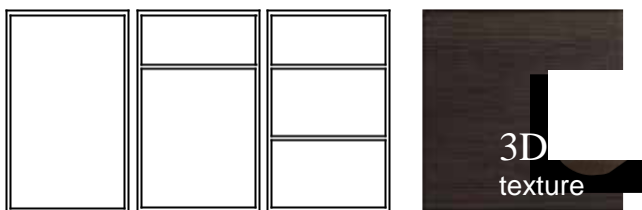
- 3/4" thick particleboard flat panel door and drawer fronts, with durable thermo-fused melamine finish
- Full Overlay door style, on a solid birch face frame
- Edges sealed with color-matched PVC edge banding
- Doors are mounted on a white face frame
- 6-way adjustable, soft-close concealed hinges
- Decorative hardware required

Manhattan Waypost (312)



- 3/4" thick particleboard flat panel door and drawer fronts, with durable thermo-fused melamine finish
- Full Overlay door style, on a solid birch face frame
- Edges sealed with color-matched PVC edge banding
- Doors are mounted on a mocha face frame
- 6-way adjustable, soft-close concealed hinges
- Decorative hardware required

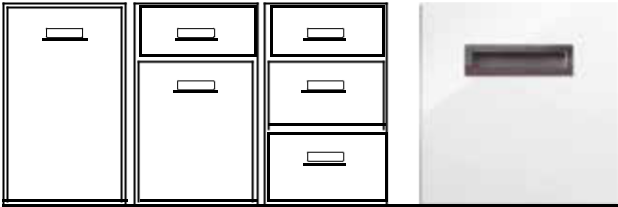
Manhattan Ember (313)



- 3/4" thick particleboard flat panel door and drawer fronts, with durable thermo-fused melamine finish
- Full Overlay door style, on a solid birch face frame
- Edges sealed with color-matched PVC edge banding
- Doors are mounted on a mocha face frame
- 6-way adjustable, soft-close concealed hinges
- Decorative hardware required

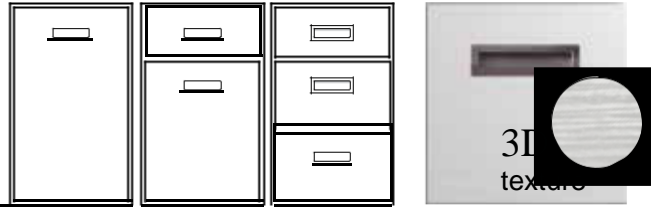
Flat Panel with Inset Handle Door Styles

Ontario High Gloss White (406)



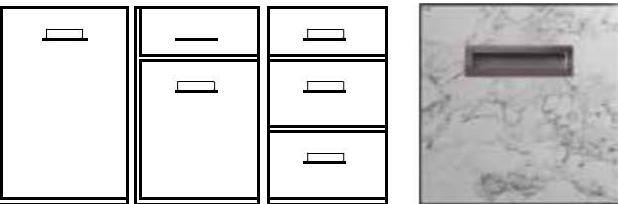
- 3/4" thick melamine faced MDF with scratch resistant high gloss lacquer finish
 - 2x as scratch resistant as thermofoil (PVC/PET)
 - 6x more scratch resistant than acrylic
- Full Overlay door style includes integrated brushed nickel pulls, on a solid birch face frame
 - *The integrated pull on all Easy Reach corner base cabinets will be vertical and not horizontal
- Edges sealed with color-matched PVC edge banding
- Doors are mounted on a white face frame
- 6-way adjustable, soft-close concealed hinges

Ontario Glacier (407)



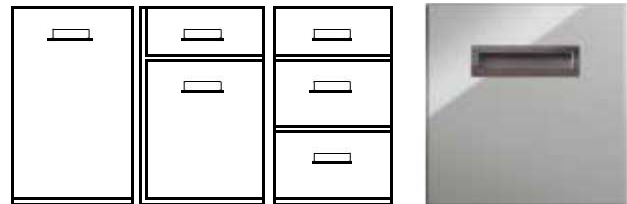
- 3/4" thick particleboard flat panel door and drawer fronts, with durable thermo-fused melamine finish
- Full Overlay door style includes integrated brushed nickel pulls, on a solid birch face frame
 - *The integrated pull on all Easy Reach corner base cabinets will be vertical and not horizontal
- Edges sealed with color-matched PVC edge banding
- Doors are mounted on a white face frame
- 6-way adjustable, soft-close concealed hinges

Ontario Satin Touch Monument (416)



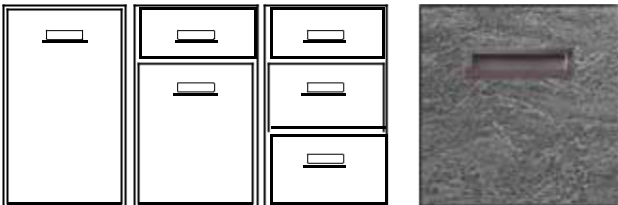
- 3/4" thick melamine faced MDF with scratch resistant high gloss lacquer finish
 - 2x as scratch resistant as thermofoil (PVC/PET)
 - 6x more scratch resistant than acrylic
- Full Overlay door style includes integrated brushed nickel pulls, on a solid birch face frame
 - *The integrated pull on all Easy Reach corner base cabinets will be vertical and not horizontal
- Edges sealed with color-matched PVC edge banding
- Doors are mounted on a white face frame
- 6-way adjustable, soft-close concealed hinges

Ontario High Gloss Metallic (409)



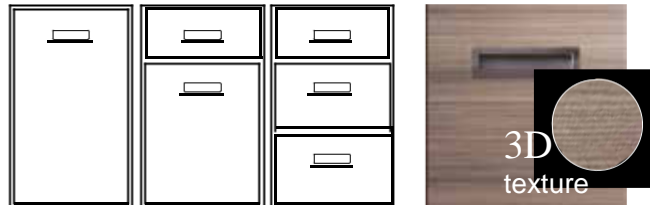
- 3/4" thick melamine faced MDF with scratch resistant high gloss lacquer finish
 - 2x as scratch resistant as thermofoil (PVC/PET)
 - 6x more scratch resistant than acrylic
- Full Overlay door style includes integrated brushed nickel pulls, on a solid birch face frame
 - *The integrated pull on all Easy Reach corner base cabinets will be vertical and not horizontal
- Edges sealed with color-matched PVC edge banding
- Doors are mounted on a gray face frame
- 6-way adjustable, soft-close concealed hinges

Ontario Castle Rock (411)



- 3/4" thick particleboard flat panel door and drawer fronts, with durable thermo-fused melamine finish
- Full Overlay door style includes integrated brushed nickel pulls, on a solid birch face frame
 - *The integrated pull on all Easy Reach corner base cabinets will be vertical and not horizontal
- Edges sealed with color-matched PVC edge banding
- Doors are mounted on a gray face frame

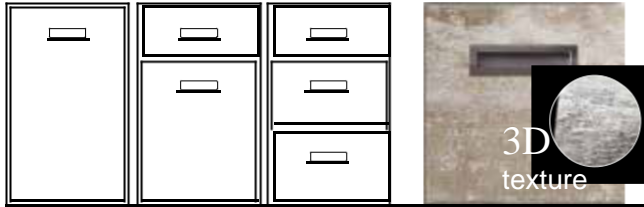
Ontario Platinum (405)



- 3/4" thick particleboard flat panel door and drawer fronts, with durable thermo-fused melamine finish
- Full Overlay door style includes integrated brushed nickel pulls, on a solid birch face frame
 - *The integrated pull on all Easy Reach corner base cabinets will be vertical and not horizontal
- Edges sealed with color-matched PVC edge banding
- Doors are mounted on a gray face frame

Flat Panel with Inset Handle Door Styles

Ontario Driftwood (408)



- 3/4" thick particleboard flat panel door and drawer fronts, with durable thermo-fused melamine finish
- Full Overlay door style includes integrated brushed nickel pulls, on a solid birch face frame
 - *The integrated pull on all Easy Reach corner base cabinets will be vertical and not horizontal
- Edges sealed with color-matched PVC edge banding
- Doors are mounted on a white face frame
- 6-way adjustable, soft-close concealed hinges

Ontario Waypost (412)



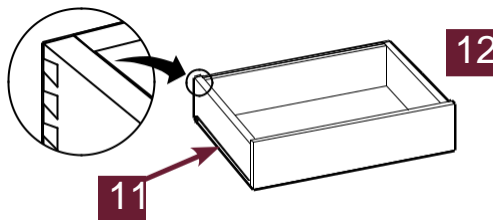
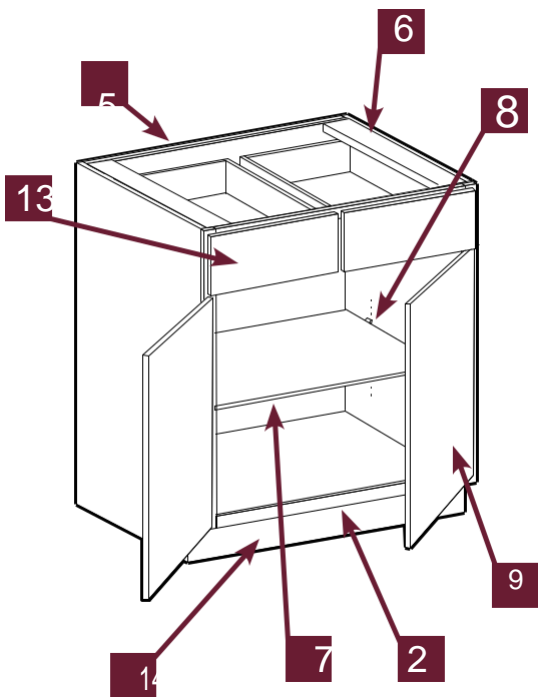
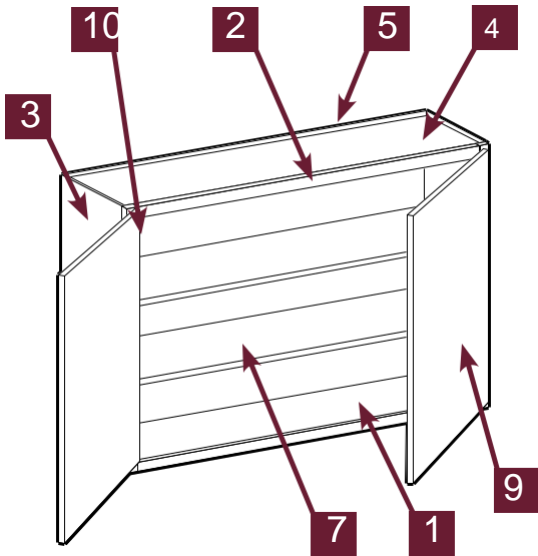
- 3/4" thick particleboard flat panel door and drawer fronts, with durable thermo-fused melamine finish
- Full Overlay door style includes integrated brushed nickel pulls, on a solid birch face frame
 - *The integrated pull on all Easy Reach corner base cabinets will be vertical and not horizontal
- Edges sealed with color-matched PVC edge banding
- Doors are mounted on a mocha face frame
- 6-way adjustable, soft-close concealed hinges

Ontario Ember (413)



- 3/4" thick particleboard flat panel door and drawer fronts, with durable thermo-fused melamine finish
- Full Overlay door style includes integrated brushed nickel pulls, on a solid birch face frame
 - *The integrated pull on all Easy Reach corner base cabinets will be vertical and not horizontal
- Edges sealed with color-matched PVC edge banding
- Doors are mounted on a mocha face frame
- 6-way adjustable, soft-close concealed hinges

Standard Cabinet Construction



1	INTERIOR	Natural birch vinyl laminate provides a durable, wipe clean finish.
2	FACE FRAME	1 1/2" wide x 3/4" thick painted solid hardwood, doweled and joint-glued
3	END PANELS	1/2" thick CARB2 plywood, exterior vinyl laminate color matched to face frame.
4	FLOOR & CEILING	1/2" thick CARB2 plywood, both sides captured by end panels.
5	BACK PANELS	1/2" thick CARB2 plywood with natural birch vinyl laminate interior and raw exterior. The clipped back panels on wall angle corner cabinets and easy reach base corners will be 1/4" MDF.
6	"I-BEAM" SUPPORTS	1/2" thick CARB2 plywood, full depth braces provide stability and support for countertop attachment.
7	ADJUSTABLE SHELVES	3/4" thick CARB2 plywood with natural birch vinyl laminate both sides with matching edgebanding. Base and wall adjustable shelves are full depth.
8	SHELF SUPPORTS	Clear, high strength plastic with locking top tab to prevent shelf tip. Provides easy shelf adjustment.
9	DOORS	Contemporary, full-overlay doors available in a durable melamine finish. See page 2-5 for details.
10	HINGES	Fully concealed, Soft Close 110° opening featuring multiple adjustments for ease of alignment.
11	RUNNERS/GLIDES	Drawers feature smooth ball bearing, full extension concealed runners with shock that engages when drawer is 1" from closing and applies resistance for soft closing. Interior roll out trays have epoxy coated, side mount suspension system with a smooth closing operation. Both withstand a 75 lb. load capacity.
12	DRAWERS & ROLL-OUT TRAYS	5/8" thick solid finger jointed hardwood, four-sided dovetail with 1/4" thick captured MDF floor, all finished with clear top coat to coordinate with cabinet interior
13	DRAWER FRONTS	Contemporary, full-overlay drawers available in a durable melamine finish. The top drawer front is 8" high & the bottom two drawer fronts are 10 1/2" high See page 2-5 for details.
14	INTEGRAL TOE KICK	1/2" thick plywood secured between end panels. Provides solid backing for installation of Toe Kick Filler Strip (TKFS8) or other materials such as ceramic, vinyl, etc.

*Color matched to face frame.



Member

A



Specifications subject to change without notice.

FINISHED ENDS OPTIONS



1. Standard End Panels are manufactured to color match the cabinet's face frame.*



2. Matching End Panels are 3/4" thick and will match the doors/drawers. Matching End Panels are designed to align flush with the face frame of the cabinet. They are available for base, wall, and tall cabinets and can be found on pages 26, 39, 48, 55. Matching End Panels must be ordered separately for field modification and installation.**



3. Cover Panels are 3/4" thick and will match the doors/drawers. Cover Panels are 1" wider than the Matching End Panels and are designed to align flush with the front of the door/drawer and create the look of an inset doorstyle. They are available for base, wall, and tall cabinets and can be found on pages 27, 39, 48, 55. Cover Panels must be ordered separately for field modification and installation.**

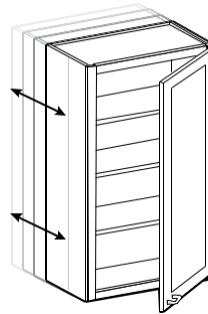
* Standard end panels will not match the doors.

** All Matching End Panels and Vertical Cover Panels have vertical grain. Horizontal Cover Panels will have horizontal grain.

CUSTOM DEPTH



CABINET TYPE	CUSTOM DEPTH MIN-MAX
12" DEEP WALL	5" to 15"
* 24" DEEP WALL	16" to 23"
STANDARD BASE	9" to 23"
BASE DRAWER	15" to 23"
TALL UTILITY/LINEN	9" to 23"



* Base cabinets with drawers that are customized from 15" to 23" deep will include working drawers. 9" to 14" deep cabinets will have no drawer and a false drawer front.

* Design and Order Tip: If a cabinet needs to be a custom depth, the depth modification needs to be done before the cabinet order is placed. This modification can be done in 2020 design or in the shopping cart on the website.

- Available on standard cabinet types in 1" depth increments

FACE FRAMES AND DOOR FINISHES

Our modern Metro cabinetry has the European look with traditional craftsmanship. The streamlined doors will come on a semi-custom built box with a face frame in one of three complimentary colors. Pages 2-5 you'll find which face frame colors correspond to that style.



White Face Frame



Gray Face Frame



Mocha Face Frame

Matching Interior Options

PREPPED FOR GLASS (PFG) CABINETS



PFG cabinets selected in the Ontario door style with inset handle will come with a low profile handle as shown. (Handles must be installed on site)



Wall Cabinet



Tall Cabinet



Tall Cabinet

- All PFG cabinets in the Metropolitan Series will feature miter framed doors with a 'Satin Silver' thermo-foil finish
- PFG cabinet interiors will automatically be finished to match the face frame color, including adjustable shelves *The interior of PFG cabinets will not match the Metro door finish.
- Frosted glass panels will be furnished cut to size and will ship separately, direct to the ship-to address, for field installation
- It is recommended that glass panels be installed with clear silicone.
- PFG Tall Pantry cabinets – only the upper doors will be prepped for glass
- Matching Interior shelves are only supplied for the upper portion of the cabinet, where the PFG doors are located
- Lower portion will have birch shelves and/or roll out trays
- Standard Base, Vanity Base, and lower doors on Tall cabinets are not available Prepped For Glass as a safety precaution

NO DOOR (ND) CABINETS



Wall Cabinet



Base Cabinet



Tall Cabinet

- 'No Door' open cabinet interiors and shelves will be finished to match the face frame color *The interior of ND cabinets will not match the Metro door finish.
- Shelf adjustment holes will be visible on the inside walls and back panel of the cabinet.

ACCENT CABINETS



- Accent cabinets are available in all laminate door finishes
- For high gloss and textured melamine, the glossy or textured finish will be on the inside faces of the accent cabinet
- Exteriors will be matching color with a smooth satin finish
- We recommend installing accent cabinets between two other cabinets



Incorporating service shelves in the base cabinets or island help show accent colors / textures and creates a more modern look.



When it comes to the finished side of a cabinet, you have options! All of the cabinet sides are color matched to the face-frame and will not match the door, which works great for either side of the range/microwave or next to a dishwasher.

When you have a completely exposed side and want to take the design to the next level, you can add one of our two end panel options that are designed to match the doors.

The end panels add $\frac{3}{4}$ " to the design anywhere they're placed, so it's important to communicate clearly with your customer. This will help to understand their wants and to set proper expectations on what they're getting.



When designing islands that need a bit more modern feel, use service shelves under the countertop. This is a good place for storing plates, utensils or extra items for the island.

Style Tips



To create a more open feel use a combination of open cabinets and cabinets with doors.



Make better use of your island and add extra storage to the kitchen by using the accent shelves. You can easily create a taller bar height space by stacking these cabinets onto base or wall cabinets.



Give the kitchen a true metropolitan look by using high line doors and all drawer bases, versus standard drawer and door cabinets. Also simply installing the hardware horizontally on all cabinets can complete the look!



The use of minimal wall cabinets (streamlined bridge cabinets) and open shelves along with mixing and matching wood grains and solid color highlight our Metro door styles. This also helps to keep an open and airy feel to the kitchen



You can add accents to a long wall of tall cabinets by using solid color doors and grained or textured shelves



Interior of door with metal brackets

All solid finishes without a discernable pattern or texture (Matte White, Matte Gray, or High Gloss White) will have a full bottom door on the utility cabinets. All finishes with a discernable pattern or texture (Glacier, High Gloss Metallic, Monument, Castle Rock, Platinum, Driftwood, Waypost, Ember) will have 2 panels joined together with metal brackets.

Wall Cabinets

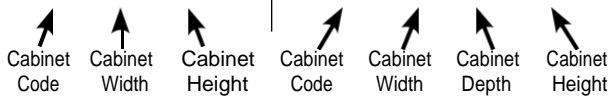
WALL CABINET CODING

STANDARD (12" DEEP)

REFRIGERATOR (24" DEEP)

W3030

W362418



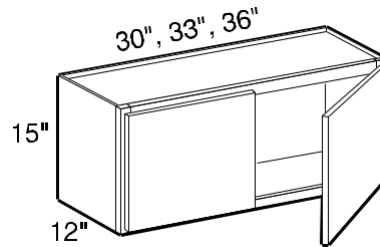
- Standard wall cabinets are 12" deep. Refrigerator wall cabinets are 24" deep.
- Cabinet depth does not include door thickness
- Standard cabinet exterior is color matched to face frame. End panels that match the door finish are optional.
- Matching End Panels or Cover Panels are recommended if the cabinet will be on the end of a run or exposed in any way.
- Soft close hinges

15" High Double Door



CUSTOM DEPTH

W3015
W3315
W3615



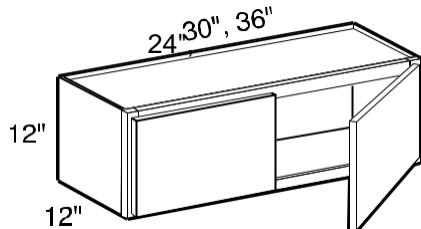
- No adjustable shelf
- CUSTOM DEPTH: 5" to 15" deep**

12" High Double Door



CUSTOM DEPTH

W2412
W3012
W3612



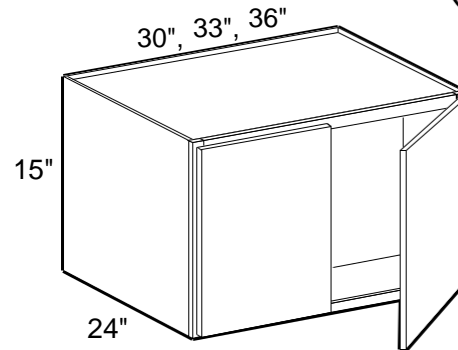
- No adjustable shelf
- CUSTOM DEPTH: 5" to 15" deep**

15" High x 24" Deep Double Door



CUSTOM DEPTH

W302415
W332415
W362415



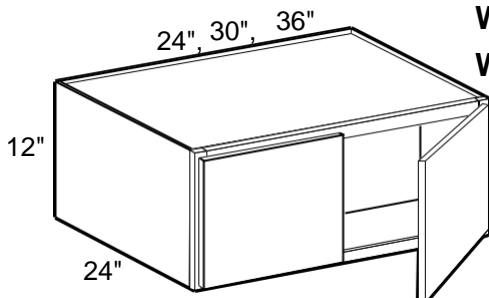
- No adjustable shelf
- Must be installed between two cabinets, cabinet and wall, or supported by TEP's or CPVT's.
- CUSTOM DEPTH: 16" to 23" deep**

12" High x 24" Deep Double Door



CUSTOM DEPTH

W242412
W302412
W362412



- No adjustable shelf
- Must be installed between two cabinets, cabinet and wall, or supported by TEP's or CPVT's.

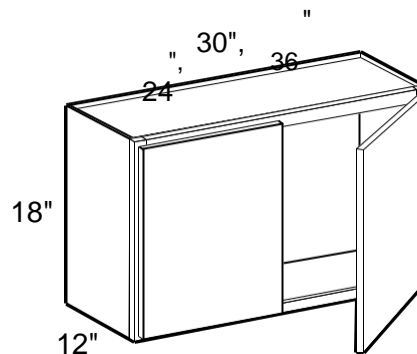
12 - CUSTOM DEPTH: 16" to 23" deep

18" High Double Door



CUSTOM DEPTH

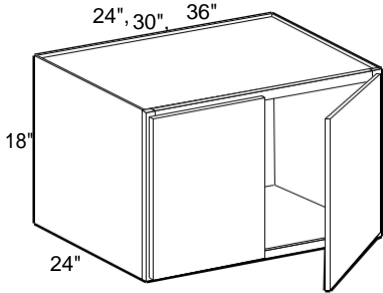
W2418
W3018
W3618



- No adjustable shelf
- CUSTOM DEPTH: 5" to 15" deep**

Wall Cabinets

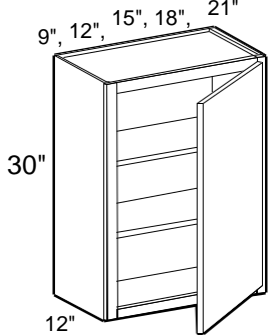
18" High x 24" Deep Double Door



CUSTOM DEPTH
W242418
W302418
W362418

- No adjustable shelf
- Must be installed between two cabinets, cabinet and wall, or supported by refrigerator panels (RP)
- **CUSTOM DEPTH: 16" to 23" deep**

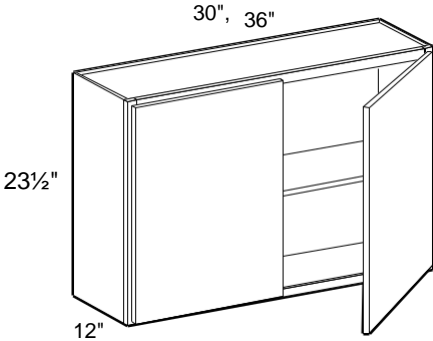
30" High Single Door



CUSTOM DEPTH
 SPECIFY
 RIGHT or LEFT HINGED
W0930
W1230
W1530
W1830
W2130

- Two adjustable shelves
- **CUSTOM DEPTH: 5" to 15" deep**

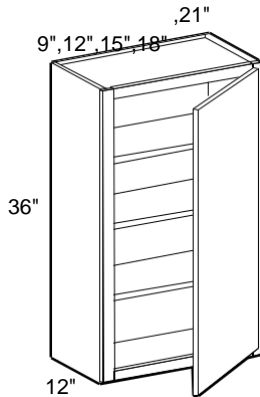
24" High Double Door



CUSTOM DEPTH
W3024
W3624

- One adjustable shelf
- **CUSTOM DEPTH: 5" to 15" deep**

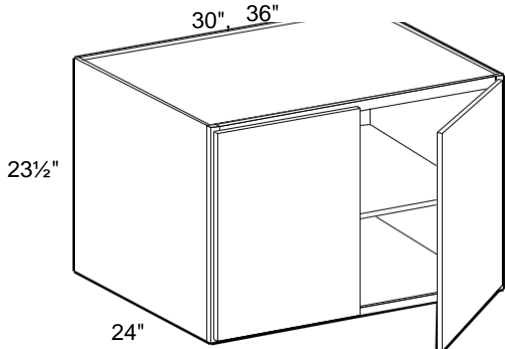
36" High Single Door



CUSTOM DEPTH
 SPECIFY
 RIGHT or LEFT HINGED
W0936
W1236
W1536
W1836
W2136

- Three adjustable shelves
- **CUSTOM DEPTH: 5" to 15" deep**

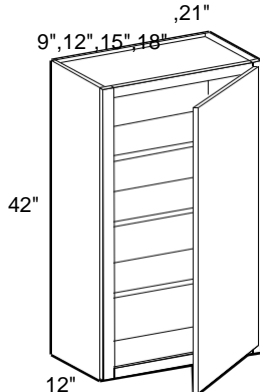
24" High x 24" Deep Double Door



CUSTOM DEPTH
W302424
W362424

- One adjustable shelf
- Must be installed between two cabinets, cabinet and wall, or supported by TEP's or CPVT's.
- **CUSTOM DEPTH: 16" to 23" deep**

42" High Single Door

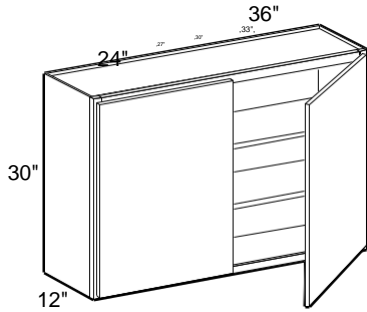


CUSTOM DEPTH
 SPECIFY
 RIGHT or LEFT HINGED
W0942
W1242
W1542
W1842
W2142

- Three adjustable shelves
- **CUSTOM DEPTH: 5" to 15" deep**

Wall Cabinets

30" High Double Door



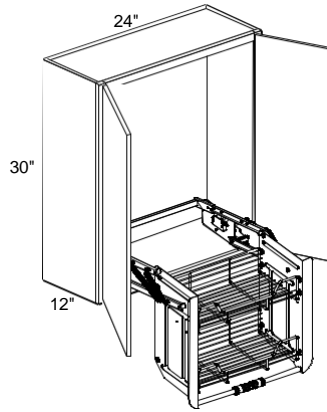
- Two adjustable shelves
- **CUSTOM DEPTH: 5" to 15" deep**



CUSTOM DEPTH

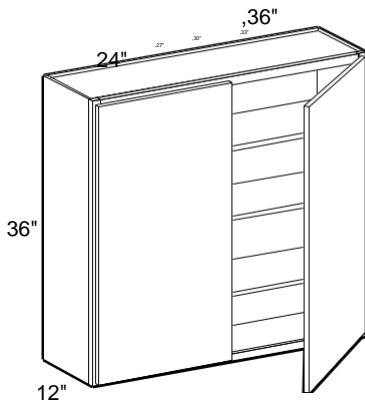
W2430
W2730
W3030
W3330
W3630

30" High Double Door with Pull Down Chrome Shelves



- W2430-PDSCR**
- **Field install at desired height in cabinet**
 - Two tier chrome shelves lowers 10" and brings items forward 14³/₄"
 - Gas assisted mechanism smoothly raises and lowers unit
 - Locking arm feature holds shelf in down position

36" High Double Door



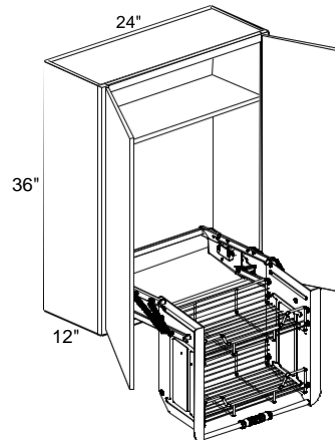
- Three adjustable shelves
- **CUSTOM DEPTH: 5" to 15" deep**



CUSTOM DEPTH

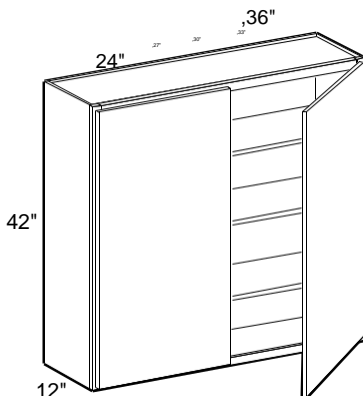
W2436
W2736
W3036
W3336
W3636

36" High Double Door with Pull Down Chrome Shelves



- W2436-PDSCR**
- **Field install at desired height in cabinet**
 - Two tier chrome shelves lowers 10" and brings items forward 14³/₄"
 - Gas assisted mechanism smoothly raises and lowers unit
 - Locking arm feature holds shelf in down position

42" High Double Door



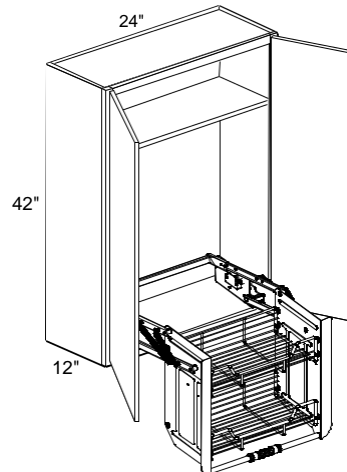
- Three adjustable shelves
- **CUSTOM DEPTH: 5" to 15" deep**



CUSTOM DEPTH

W2442
W2742
W3042
W3342
W3642

42" High Double Door with Pull Down Chrome Shelves

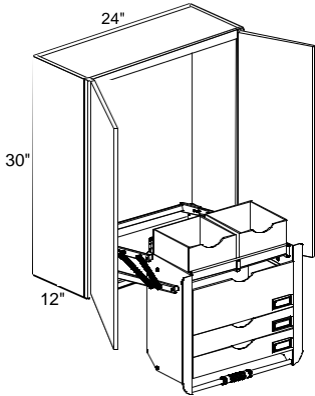


- W2442-PDSCR**
- **Field install at desired height in cabinet**
 - Two tier chrome shelves lowers 10" and brings items forward 14³/₄"
 - Gas assisted mechanism smoothly raises and lowers unit
 - Locking arm feature holds shelf in down position

Wall Cabinets

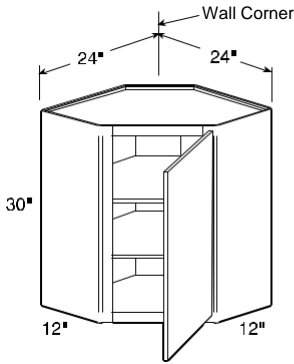
30" High Double Door with Pull Down Frosted Shelves

W2430-PDSFR

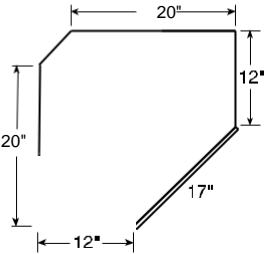


- **Field install at desired height in cabinet**
- Features 5 removable acrylic storage bins
- Lowers items 10" and brings forward 14³/₄"
- Gas assisted mechanism smoothly raises and lowers unit

30" High Wall Angle



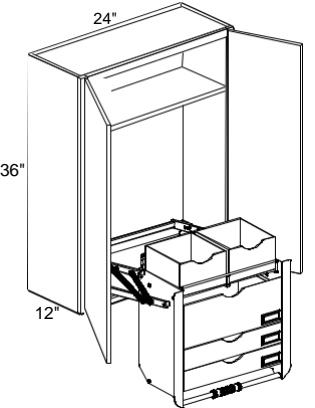
SPECIFY
RIGHT or LEFT HINGED
WA2430



- Two adjustable shelves
- Clip corner back provides clearance for installation

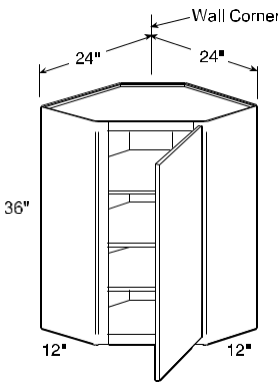
36" High Double Door with Pull Down Frosted Shelves

W2436-PDSFR

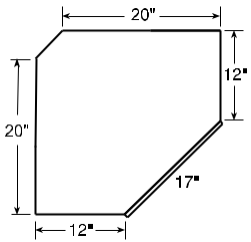


- **Field install at desired height in cabinet**
- Features 5 removable acrylic storage bins
- Lowers items 10" and brings forward 14³/₄"
- Gas assisted mechanism smoothly raises and lowers unit

36" High Wall Angle



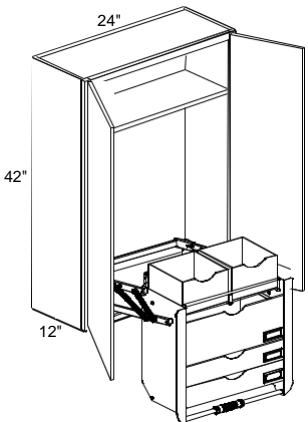
SPECIFY
RIGHT or LEFT HINGED
WA2436



- Three adjustable shelves
- Clip corner back provides clearance for installation

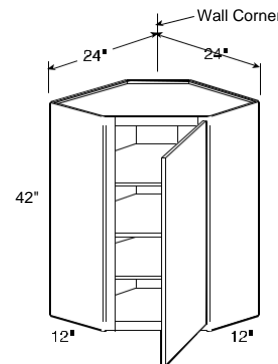
42" High Double Door with Pull Down Frosted Shelves

W2442-PDSFR

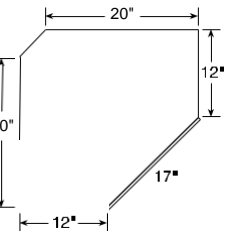


- **Field install at desired height in cabinet**
- Features 5 removable acrylic storage bins
- Lowers items 10" and brings forward 14³/₄"
- Gas assisted mechanism smoothly raises and lowers unit

42" High Wall Angle



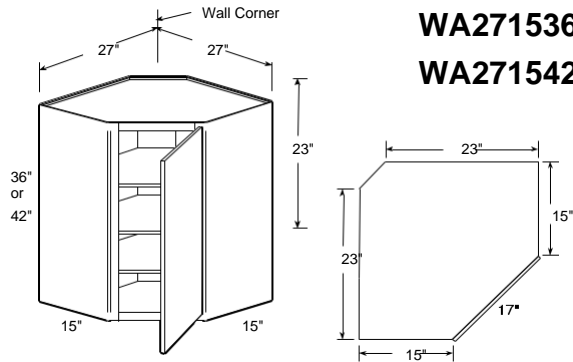
SPECIFY
RIGHT or LEFT HINGED
WA2442



- Three adjustable shelves
- Clip corner back provides clearance for installation

Wall Cabinets

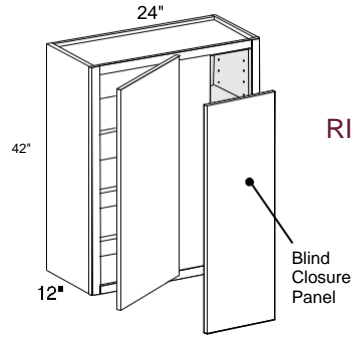
36" and 42" High x 15" Deep Wall Angle



SPECIFY
RIGHT or LEFT HINGED
WA271536
WA271542

- Three adjustable shelves
- Clip corner back provides clearance for installation

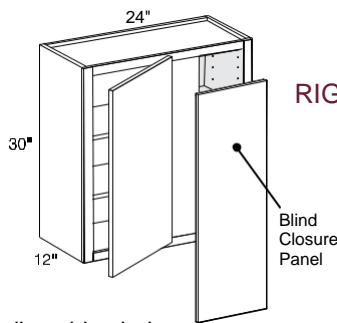
42" High Wall Blind Corner



 **CUSTOM DEPTH**
SPECIFY
RIGHT or LEFT BLIND
WBCU2742

- Three adjustable shelves
- Indicate R or L for blind side (right shown)
- Cabinet can be pulled for exact fit (see installation guide)
- 3" color matched to face frame filler, 3" & 6" color matched to doors overlay fillers, and 3/16" blind closure panel included
- Door width is 11 3/4"
- **CUSTOM DEPTH: 5" to 15" deep**

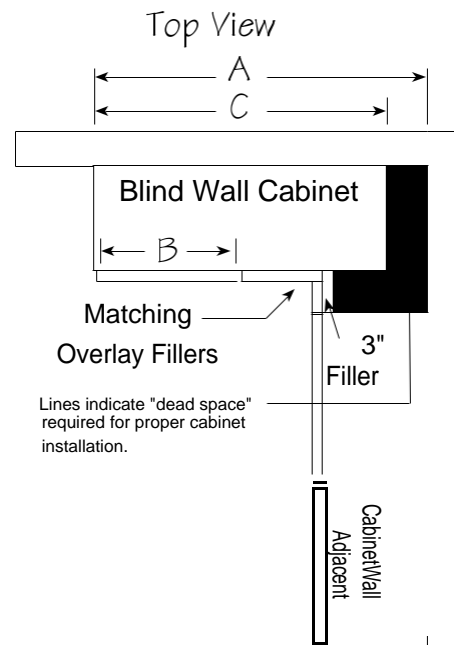
30" High Wall Blind Corner



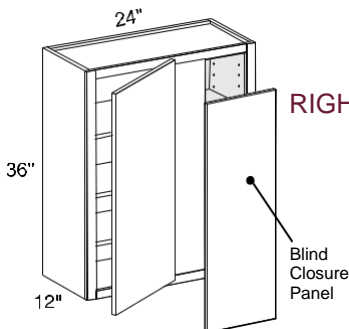
 **CUSTOM DEPTH**
SPECIFY
RIGHT or LEFT BLIND
WBCU2730

- Two adjustable shelves
- Indicate R or L for blind side (right shown)
- Cabinet can be pulled for exact fit (see installation guide)
- 3" color matched to face frame filler, 3" & 6" color matched to doors overlay fillers, and 3/16" blind closure panel included
- Door width is 11 3/4"
- **CUSTOM DEPTH: 5" to 15" deep**

Blind Corner Installation Guide



36" High Wall Blind Corner



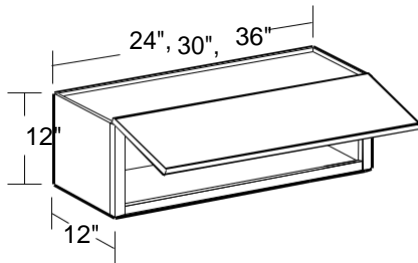
 **CUSTOM DEPTH**
SPECIFY
RIGHT or LEFT BLIND
WBCU2736

- Three adjustable shelves
- Indicate R or L for blind side (right shown)
- Cabinet can be pulled for exact fit (see installation guide)
- 3" color matched to face frame filler, 3" & 6" color matched to doors overlay fillers, and 3/16" blind closure panel included
- Door width is 11 3/4"

16 - **CUSTOM DEPTH: 5" to 15" deep**

BLIND WALL INSTALLATION GUIDE			
Cabinet	Wall Space "A"	Frame Opening	Cabinet
	Min - Max	Width "B"	Width "C"
WBCU2730	25" - 30"	8 7/8"	24"
WBCU2736	25" - 30"	8 7/8"	24"
WBCU2742	25" - 30"	8 7/8"	24"

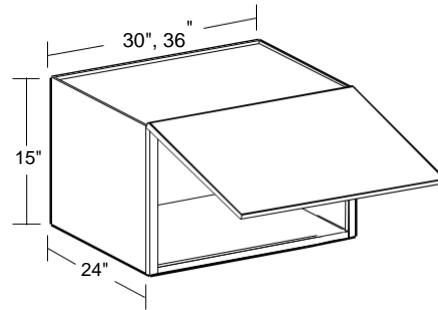
12" High Uplift



 **CUSTOM DEPTH**
W2412UL
W3012UL
W3612UL

- No adjustable shelf
- **CUSTOM DEPTH: 5" to 15" deep**

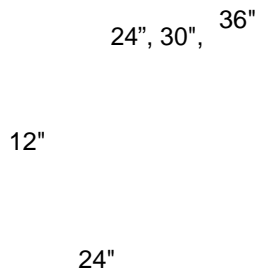
15" High x 24" Deep Uplift



 **CUSTOM DEPTH**
W302415UL
W362415UL

- No adjustable shelf
- Must be installed between two cabinets, cabinet and wall, or supported by TEP's or CPVT's.
- **CUSTOM DEPTH: 16" to 23" deep**

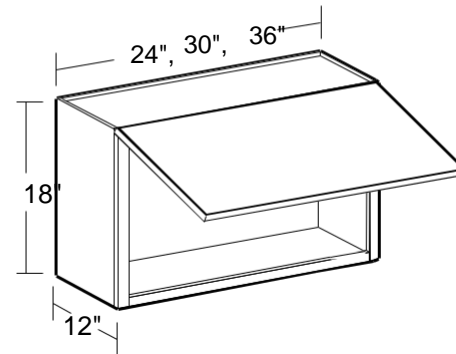
12" High x 24" Deep Uplift




CUSTOM DEPTH
W242412UL
W302412UL
W362412UL

- No adjustable shelf
- Must be installed between two cabinets, cabinet and wall, or supported by TEP's or CPVT's.
- **CUSTOM DEPTH: 16" to 23" deep**

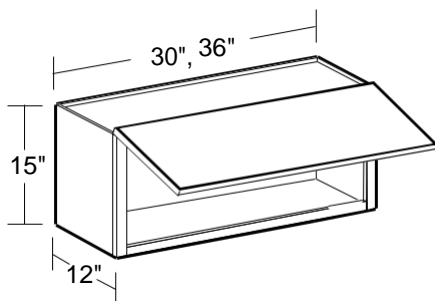
18" High Uplift



 **CUSTOM DEPTH**
W2418UL
W3018UL
W3618UL

- No adjustable shelf
- **CUSTOM DEPTH: 5" to 15" deep**

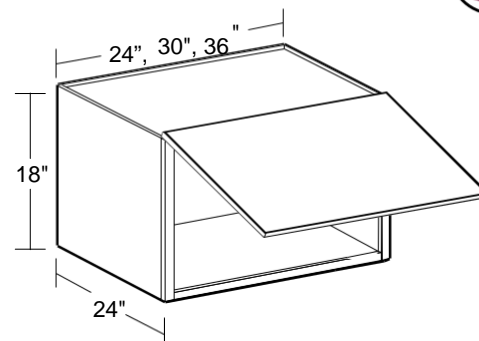
15" High Uplift




CUSTOM DEPTH
W3015UL
W3615UL

- No adjustable shelf
- **CUSTOM DEPTH: 5" to 15" deep**

18" High x 24" Deep Uplift



 **CUSTOM DEPTH**
W242418UL
W302418UL
W362418UL

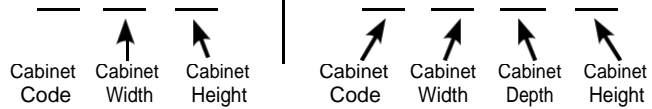
- No adjustable shelf
- Must be installed between two cabinets, cabinet and wall, or supported by TEP's or CPVT's
- **CUSTOM DEPTH: 16" to 23" deep**

Wall Cabinets with Glass Doors

WALL CABINET CODING

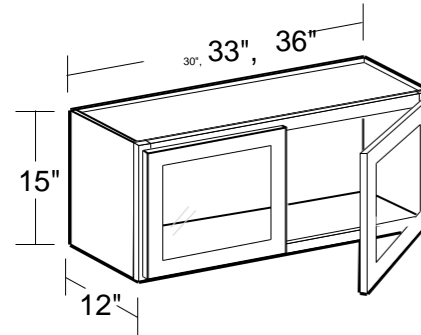
STANDARD (12" DEEP)
W3030

REFRIGERATOR (24" DEEP)
W362418



- Standard wall cabinets are 12" deep. Refrigerator wall cabinets are 24" deep.
- Cabinet depth does not include door thickness
- Standard cabinet exterior is color matched to face frame. End panels that match the door finish are optional.
- Matching End Panels or Cover Panels are recommended if the cabinet will be on the end of a run or exposed in any way.
- Frosted glass ships separate from cabinets
- Interior of prepped for glass (PFG) cabinets are color matched to face frame. See Pages 2-5 for details on cabinet box colors.
- Matching interiors will match the face frame, not the doors
- All glass doors will come as a mitered shaker frame in a silver satin wrapped MDF
- Soft close hinges

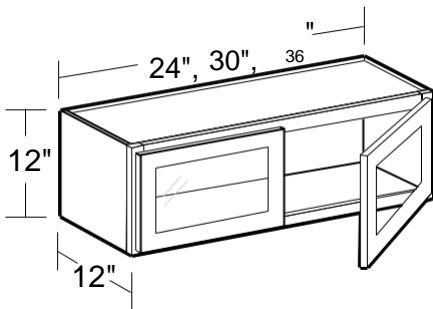
15" High Double Door



CUSTOM DEPTH
W3015PFG
W3315PFG
W3615PFG

- No adjustable shelf
- CUSTOM DEPTH: 5" to 15" deep**

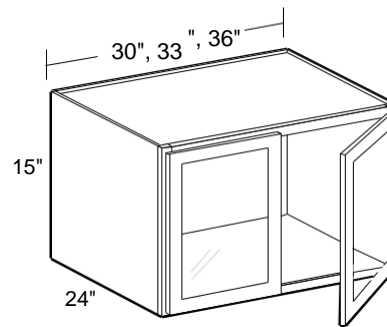
12" High Double Door



CUSTOM DEPTH
W2412PFG
W3012PFG
W3612PFG

- No adjustable shelf
- CUSTOM DEPTH: 5" to 15" deep**

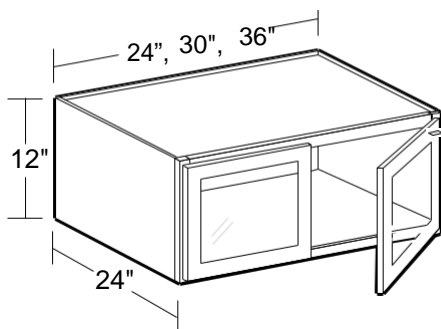
15" High x 24" Deep Double Door



CUSTOM DEPTH
W302415PFG
W332415PFG
W362415PFG

- No adjustable shelf
- Must be installed between two cabinets, cabinet and wall, or supported by refrigerator panels (RP)
- CUSTOM DEPTH: 16" to 23" deep**

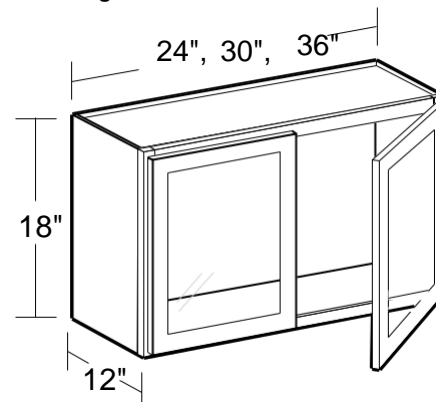
12" High x 24" Deep Double Door



CUSTOM DEPTH
W242412PFG
W302412PFG
W362412PFG

- No adjustable shelf
- Must be installed between two cabinets, cabinet and wall, or supported by refrigerator panels (RP)

18" High Double Door

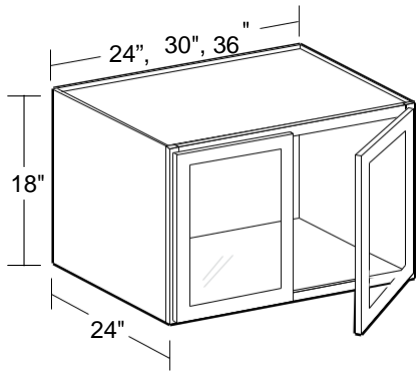


CUSTOM DEPTH
W2418PFG
W3018PFG
W3618PFG

- No adjustable shelf
- CUSTOM DEPTH: 5" to 15" deep**

Wall Cabinets with Glass Doors

18" High x 24" Deep Double Door

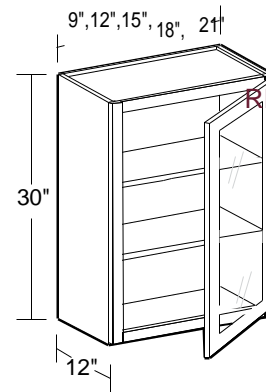


CUSTOM DEPTH

W242418PFG
W302418PFG
W362418PFG

- No adjustable shelf
- Must be installed between two cabinets, cabinet and wall, or supported by TEP's or CPVT's
- **CUSTOM DEPTH: 16" to 23" deep**

30" High Single Door



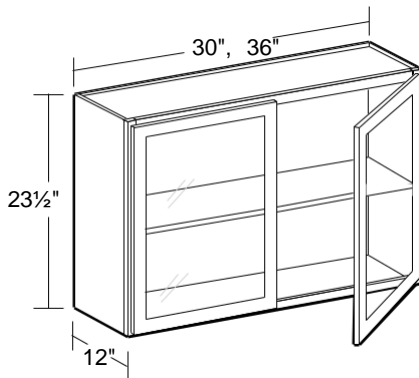
CUSTOM DEPTH

SPECIFY
RIGHT or LEFT HINGED

W0930PFG
W1230PFG
W1530PFG
W1830PFG
W2130PFG

- Two color matched adjustable shelves
- **CUSTOM DEPTH: 5" to 15" deep**

24" High Double Door

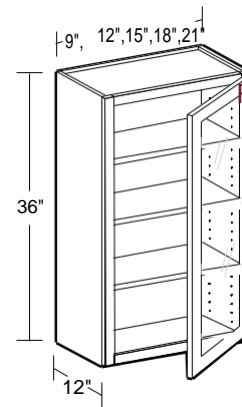


CUSTOM DEPTH

W3024PFG
W3624PFG

- One color matched adjustable shelf
- **CUSTOM DEPTH: 5" to 15" deep**

36" High Single Door



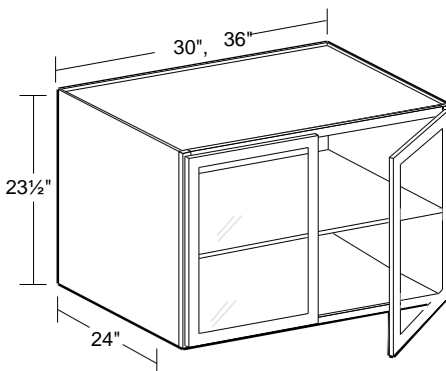
CUSTOM DEPTH

SPECIFY
RIGHT or LEFT HINGED

W0936PFG
W1236PFG
W1536PFG
W1836PFG
W2136PFG

- Three color matched adjustable shelves
- **CUSTOM DEPTH: 5" to 15" deep**

24" High x 24" Deep Double Door



CUSTOM DEPTH

W302424PFG
W362424PFG

- One color matched adjustable shelf
- Must be installed between two cabinets, cabinet and wall, or supported by TEP's or CPVT's
- **CUSTOM DEPTH: 16" to 23" deep**

42" High Single Door



CUSTOM DEPTH

SPECIFY
RIGHT or LEFT HINGED

W0942PFG
W1242PFG
W1542PFG
W1842PFG
W2142PFG

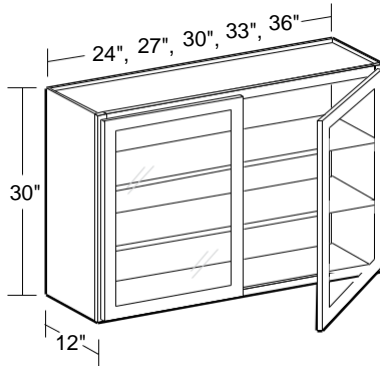
- Three color matched adjustable shelves
- **CUSTOM DEPTH: 5" to 15" deep**

Wall Cabinets with Glass Doors

30" High Double Door



CUSTOM DEPTH

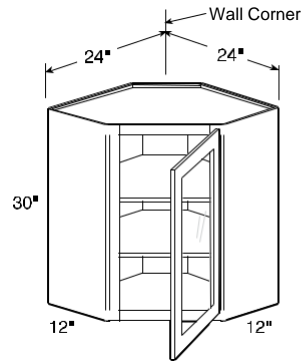


**W2430PFG
W2730PFG
W3030PFG
W3330PFG
W3630PFG**

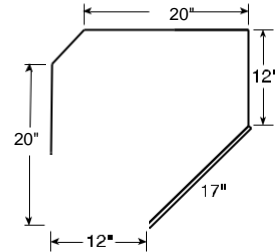
- Two color matched adjustable shelves
- **CUSTOM DEPTH: 5" to 15" deep**

30" High Wall Angle

RIGHT or LEFT HINGED
SPECIFY



WA2430PFG

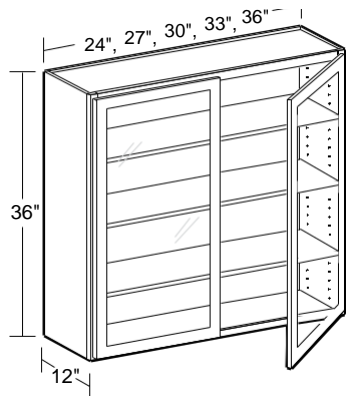


- Two color matched adjustable shelves
- Clip corner back provides clearance for installation

36" High Double Door



CUSTOM DEPTH

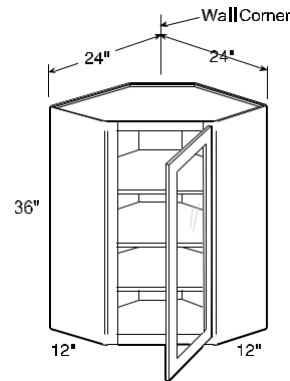


**W2436PFG
W2736PFG
W3036PFG
W3336PFG
W3636PFG**

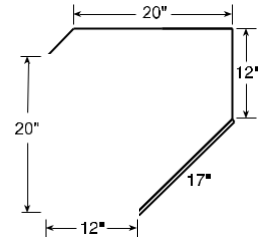
- Three color matched adjustable shelves
- **CUSTOM DEPTH: 5" to 15" deep**

36" High Wall Angle

RIGHT or LEFT HINGED
SPECIFY



WA2436PFG

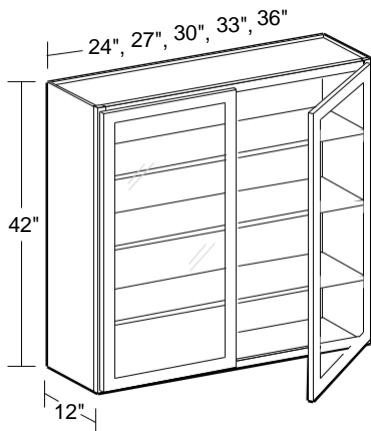


- Three color matched adjustable shelves
- Clip corner back provides clearance for installation

42" High Double Door



CUSTOM DEPTH



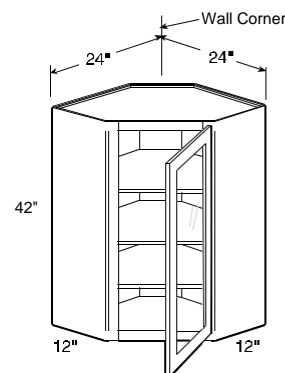
**W2442PFG
W2742PFG
W3042PFG
W3342PFG
W3642PFG**

- Three color matched adjustable shelves

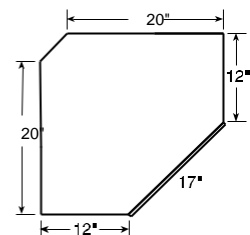
20 - CUSTOM DEPTH: 5" to 15" deep

42" High Wall Angle

SPECIFY
RIGHT or LEFT HINGED



WA2442PFG

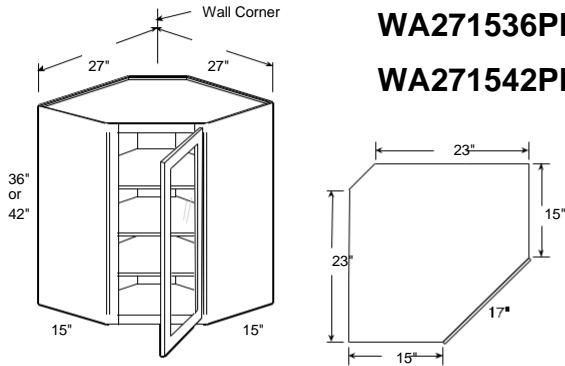


- Three color matched adjustable shelves
- Clip corner back provides clearance for installation

Wall Cabinets with Glass Doors

36" and 42" High x 15" Deep Wall Angle

RIGHT or LEFT HINGED
SPECIFY



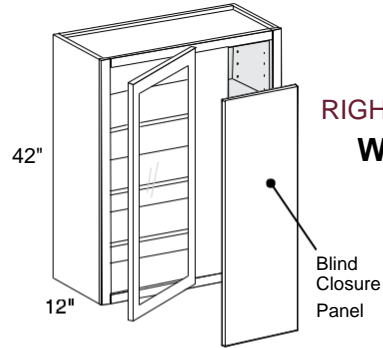
WA271536PFG

WA271542PFG

- Three color matched adjustable shelves
- Clip corner back provides clearance for installation

42" High Wall Blind Corner

24"



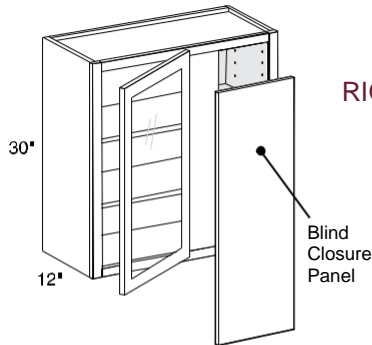
SPECIFY
RIGHT or LEFT BLIND
WBCU2742PFG

- Three color matched adjustable shelves
- Indicate R or L for blind side (right shown)
- Cabinet can be pulled for exact fit (see installation chart)
- 3" color matched to face frame filler, 3" & 6" color matched to doors overlay fillers, and 3/16" blind closure
- Door width is 11 3/4"
- **CUSTOM DEPTH: 5" to 15" deep**

30" High Wall Blind Corner



SPECIFY
RIGHT or LEFT BLIND



WBCU2730PFG

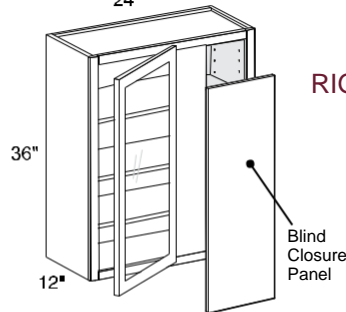
- Two color matched adjustable shelves
- Indicate R or L for blind side (right shown)
- Cabinet can be pulled for exact fit (see installation guide)
- 3" filler & 1/8" blind closure panel included
- Door width is 11 3/4"
- **CUSTOM DEPTH: 5" to 15" deep**

36" High Wall Blind Corner

24"



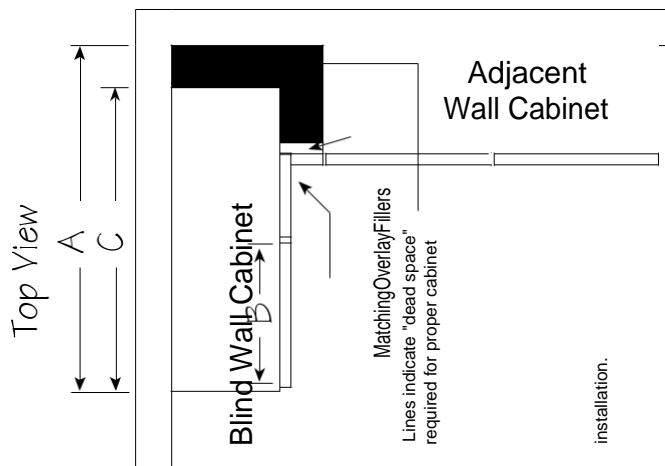
SPECIFY
RIGHT or LEFT BLIND



WBCU2736PFG

- Three color matched adjustable shelves
- Indicate R or L for blind side (right shown)
- Cabinet can be pulled for exact fit (see installation guide)
- 3" color matched to face frame filler, 3" & 6" color matched to doors overlay fillers, and 3/16" blind closure
- Door width is 11 3/4"
- **CUSTOM DEPTH: 5" to 15" deep**

Blind Corner Installation Guide

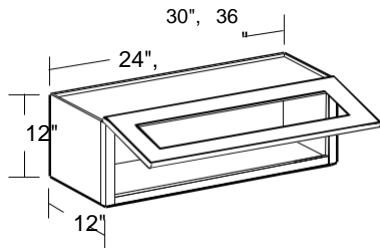


BLIND WALL INSTALLATION GUIDE			
Cabinet	Wall Space "A"	Frame Opening	Cabinet
	Min - Max	Width "B"	Width "C"
WBCU2730	25" - 30"	8 7/8"	24"
WBCU2736	25" - 30"	8 7/8"	24"
WBCU2742	25" - 30"	8 7/8"	24"

Wall Cabinets with Glass Doors

12" High Uplift

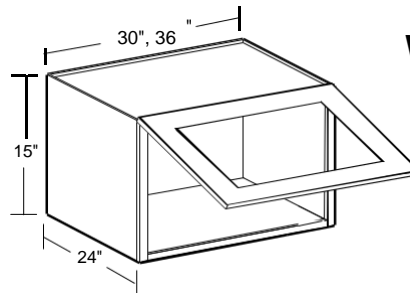
 **CUSTOM DEPTH**
W2412PFGUL
W3012PFGUL
W3612PFGUL



- No adjustable shelf
- **CUSTOM DEPTH: 5" to 15" deep**

15" High x 24" Deep Uplift

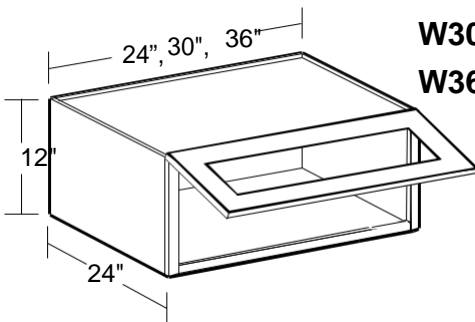
 **CUSTOM DEPTH**
W302415PFGUL
W362415PFGUL



- No adjustable shelf
- Must be installed between two cabinets, cabinet and wall, or supported by TEP's or CPVT's
- **CUSTOM DEPTH: 16" to 23" deep**


12" High x 24" Deep Uplift

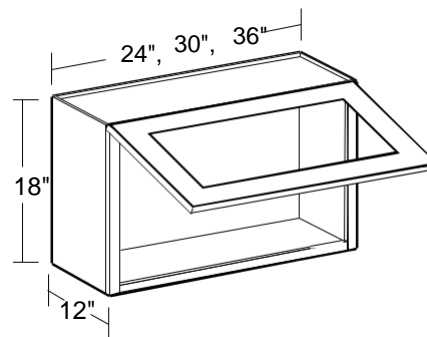
 **CUSTOM DEPTH**
W242412PFGUL
W302412PFGUL
W362412PFGUL



- No adjustable shelf
- Must be installed between two cabinets, cabinet and wall, or supported by TEP's or CPVT's
- **CUSTOM DEPTH: 16" to 23" deep**

18" High Uplift

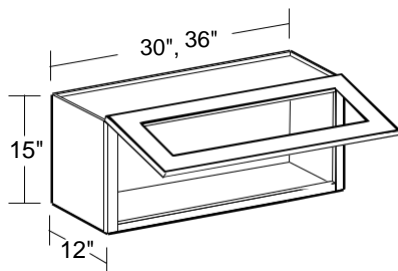
 **CUSTOM DEPTH**
W2418PFGUL
W3018PFGUL
W3618PFGUL



- No adjustable shelf
- **CUSTOM DEPTH: 5" to 15" deep**

15" High Uplift

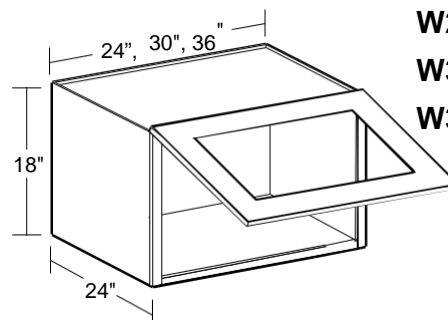
 **CUSTOM DEPTH**
W3015PFGUL
W3615PFGUL



- No adjustable shelf
- **CUSTOM DEPTH: 5" to 15" deep**

18" High x 24" Deep Uplift

 **CUSTOM DEPTH**
W242418PFGUL
W302418PFGUL
W362418PFGUL

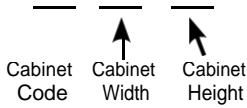


- No adjustable shelf
- Must be installed between two cabinets, cabinet and wall, or supported by TEP's or CPVT's
- **CUSTOM DEPTH: 16" to 23" deep**

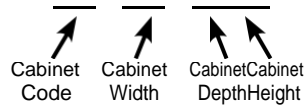
Wall Cabinets with No Doors

WALL CABINET CODING

STANDARD (12" DEEP)
W3030



REFRIGERATOR (24" DEEP)
W362418

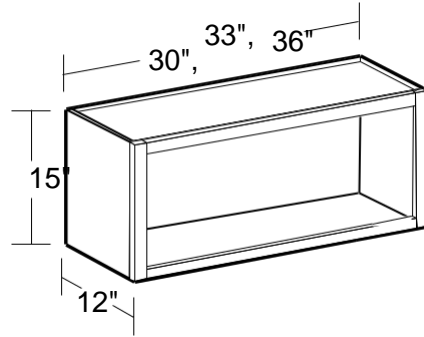


- Standard wall cabinets are 12" deep. Refrigerator wall cabinets are 24" deep.
- Standard cabinet exterior is color matched to face frame. End panels that match the door finish are optional.
- Matching End Panels or Cover Panels are recommended if the cabinet will be on the end of a run or exposed in any way.
- Interior of No Door cabinets are color matched to face frame. See Pages 2-5 for details on cabinet box colors.

15" High No Door



CUSTOM DEPTH
W3015ND
W3315ND
W3615ND

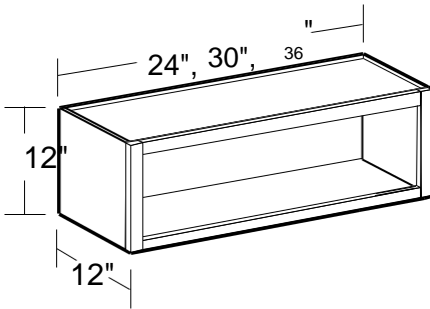


- No adjustable shelf
- CUSTOM DEPTH: 5" to 15" deep**

12" High No Door



CUSTOM DEPTH
W2412ND
W3012ND
W3612ND

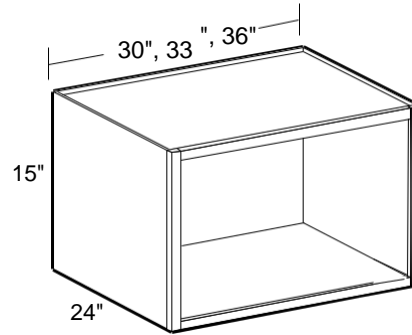


- No adjustable shelf
- CUSTOM DEPTH: 5" to 15" deep**

15" High x 24" Deep No Door



CUSTOM DEPTH
W302415ND
W332415ND
W362415ND

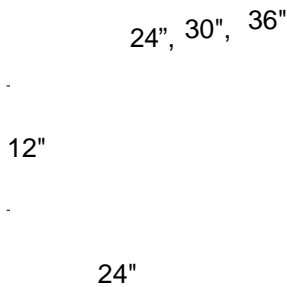


- No adjustable shelf
- Must be installed between two cabinets, cabinet and wall, or supported by TEP's or CPVT's
- CUSTOM DEPTH: 16" to 23" deep**

12" High x 24" Deep No Door

CUSTOM DEPTH

W242412ND
W302412ND
W362412ND

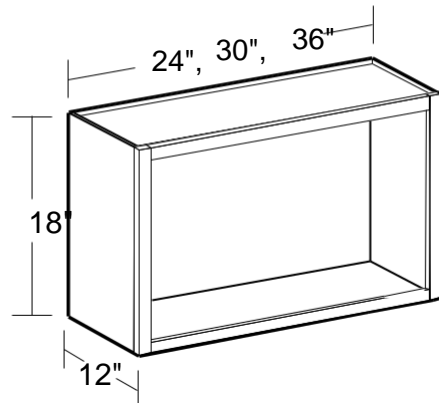


- No adjustable shelf
- Must be installed between two cabinets, cabinet and wall, or supported by TEP's or CPVT's
- CUSTOM DEPTH: 16" to 23" deep**

18" High No Door



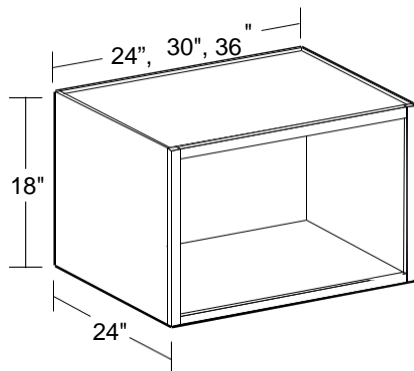
CUSTOM DEPTH
W2418ND
W3018ND
W3618ND



- No adjustable shelf
- CUSTOM DEPTH: 5" to 15" deep**

Wall Cabinets with No Doors

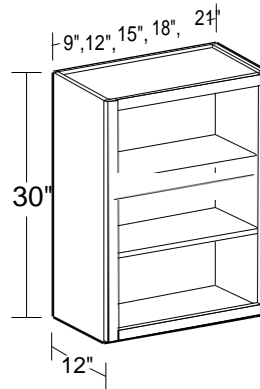
18" High x 24" Deep No Door




 **CUSTOM DEPTH**
W242418ND
W302418ND
W362418ND

- No adjustable shelf
- Must be installed between two cabinets, cabinet and wall, or supported by TEP's or CPVT's
- **CUSTOM DEPTH: 16" to 23" deep**

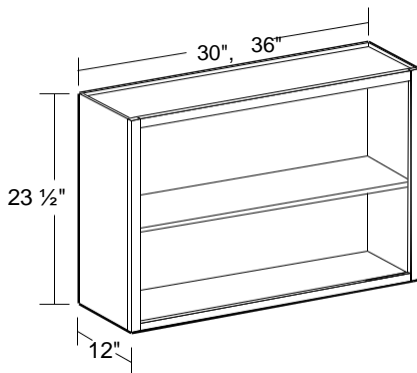
30" High No Door



 **CUSTOM DEPTH**
W0930ND
W1230ND
W1530ND
W1830ND
W2130ND

- Two color matched adjustable shelves
- **CUSTOM DEPTH: 5" to 15" deep**

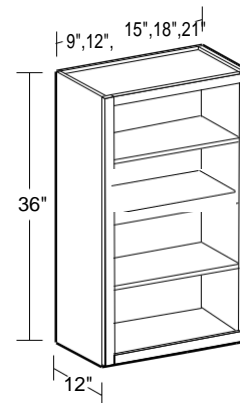
24" High No Door



 **CUSTOM DEPTH**
W3024ND
W3624ND

- One color matched adjustable shelf
- **CUSTOM DEPTH: 5" to 15" deep**

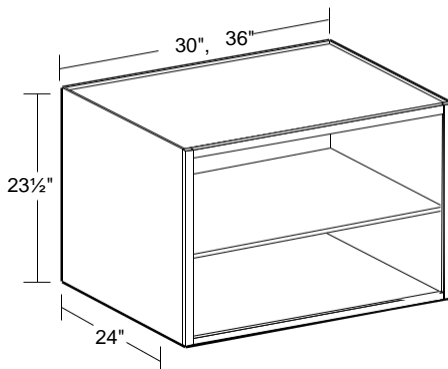
36" High No Door



 **CUSTOM DEPTH**
W0936ND
W1236ND
W1536ND
W1836ND
W2136ND

- Three color matched adjustable shelves
- **CUSTOM DEPTH: 5" to 15" deep**

24" High x 24" No Door

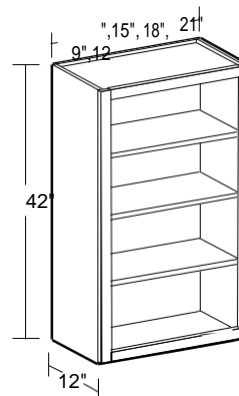



 **CUSTOM DEPTH**
W302424ND
W362424ND

- One color matched adjustable shelf
- Must be installed between two cabinets, cabinet and wall, or supported by TEP's or CPVT's

24 - **CUSTOM DEPTH: 16" to 23" deep**

42" High No Door

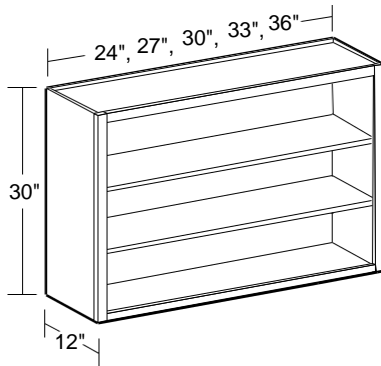


 **CUSTOM DEPTH**
W0942ND
W1242ND
W1542ND
W1842ND
W2142ND

- Three color matched adjustable shelves
- **CUSTOM DEPTH: 5" to 15" deep**

Wall Cabinets with No Doors

30" High No Door



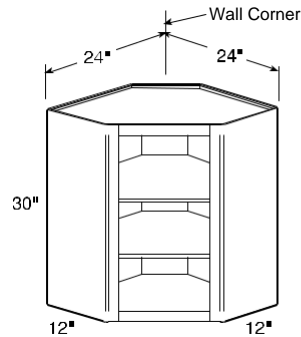
- Two color matched adjustable shelves
- **CUSTOM DEPTH: 5" to 15" deep**



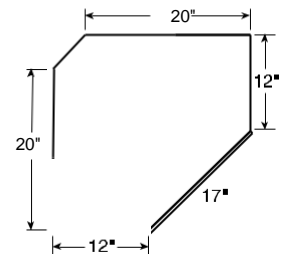
CUSTOM DEPTH

W2430ND
W2730ND
W3030ND
W3330ND
W3630ND

30" High No Door

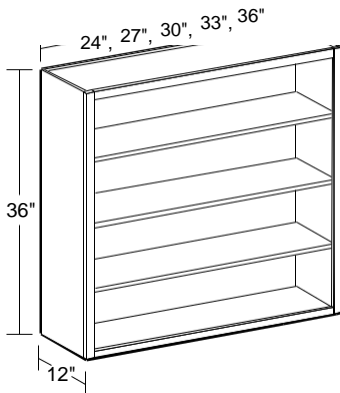


WA2430ND



- Two color matched adjustable shelves
- Clip corner back provides clearance for installation

36" High No Door



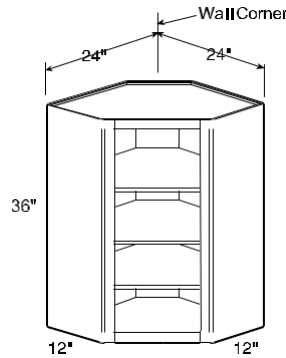
- Three color matched adjustable shelves
- **CUSTOM DEPTH: 5" to 15" deep**



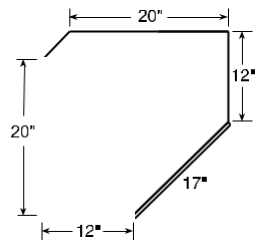
CUSTOM DEPTH

W2436ND
W2736ND
W3036ND
W3336ND
W3636ND

36" High No Door

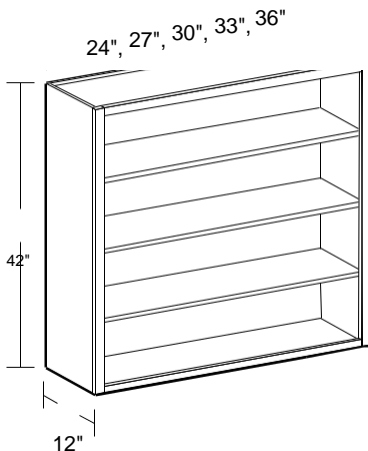


WA2436ND



- Three color matched adjustable shelves
- Clip corner back provides clearance for installation

42" High No Door



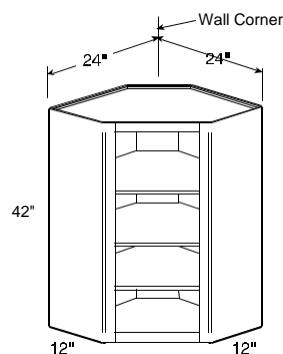
- Three color matched adjustable shelves
- **CUSTOM DEPTH: 5" to 15" deep**



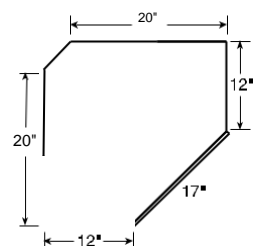
CUSTOM DEPTH

W2442ND
W2742ND
W3042ND
W3342ND
W3642ND

42" High No Door



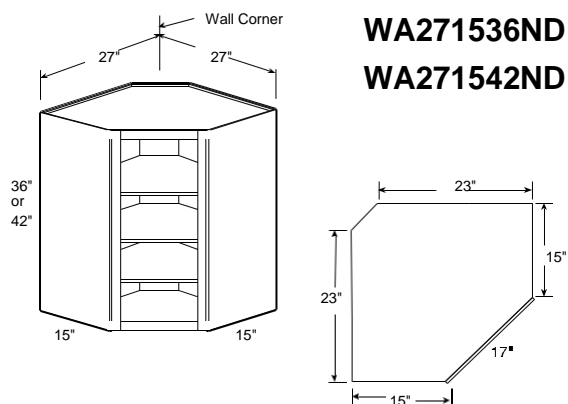
WA2442ND



- Three color matched adjustable shelves
- Clip corner back provides clearance for installation

Wall Cabinets with No Doors

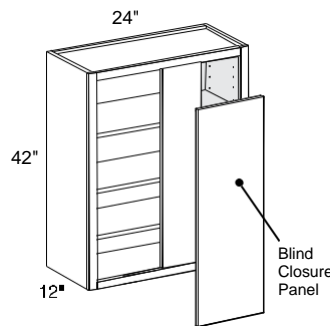
36" and 42" High x 15" Deep Wall Angle Cabinet with no Doors



WA271536ND
WA271542ND

- Three color matched adjustable shelves
- Clip corner back provides clearance for installation

42" High Wall Blind Corner with no Doors



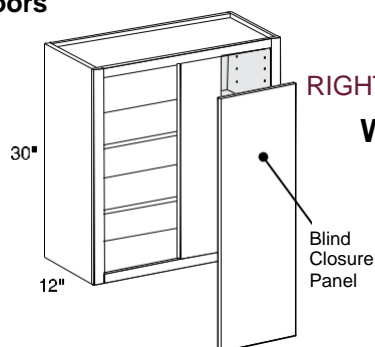
- Three color matched adjustable shelves
- Indicate R or L for blind side (right shown)
- Cabinet can be pulled for exact fit (see installation chart)
- 3" color matched to face frame filler, 3" & 6" color matched to doors overlay fillers, and 3/16" blind closure panel included
- **CUSTOM DEPTH: 5" to 15" deep**



SPECIFY RIGHT or LEFT BLIND

WBCU2742ND

30" High Wall Blind Corner with no Doors



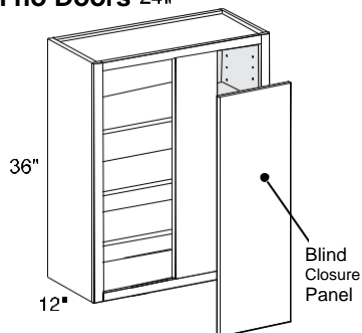
CUSTOM DEPTH

SPECIFY RIGHT or LEFT BLIND

WBCU2730ND

- Two color matched adjustable shelves
- Indicate R or L for blind side (right shown)
- Cabinet can be pulled for exact fit (see installation guide)
- 3" color matched to face frame filler, 3" & 6" color matched to doors overlay fillers, and 3/16" blind closure
- **CUSTOM DEPTH: 5" to 15" deep**

36" High Wall Blind Corner with no Doors 24"



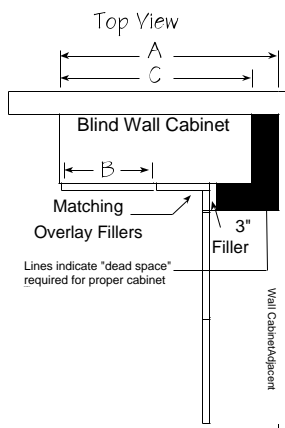
SPECIFY RIGHT or LEFT BLIND

WBCU2736ND

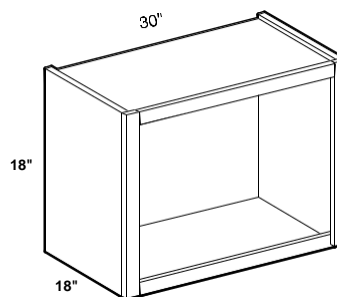
- Three color matched adjustable shelves
- Indicate R or L for blind side (right shown)
- Cabinet can be pulled for exact fit (see installation guide)
- 3" color matched to face frame filler, 3" & 6" color matched to doors overlay fillers, and 3/16" blind closure panel included
- **CUSTOM DEPTH: 5" to 15" deep**

Blind Corner Installation Guide

BLIND WALL INSTALLATION GUIDE			
Cabinet	Wall Space "A"	Frame Opening	Cabinet
	Min - Max	Width "B"	Width "C"
WBCU2730	25" - 30"	8 7/8"	24"
WBCU2736	25" - 30"	8 7/8"	24"
WBCU2742	25" - 30"	8 7/8"	24"



Wall Microwave Cabinet

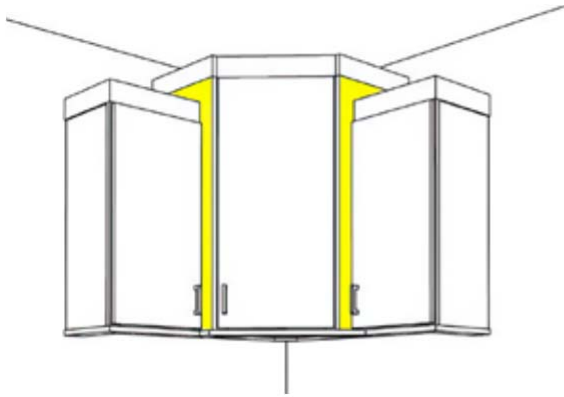


WMC301818ND

- Matching interior and exterior standard. Color will match face frame.
- Best installed between two cabinets or cabinet and wall if possible
- Cannot be installed against Wall Angle cabinet

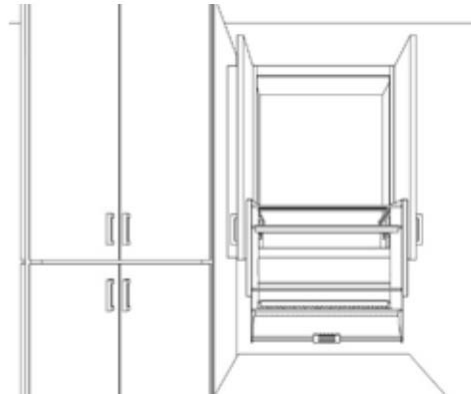
Wall Cabinets Designer Tips

Staggering Upper Cabinets



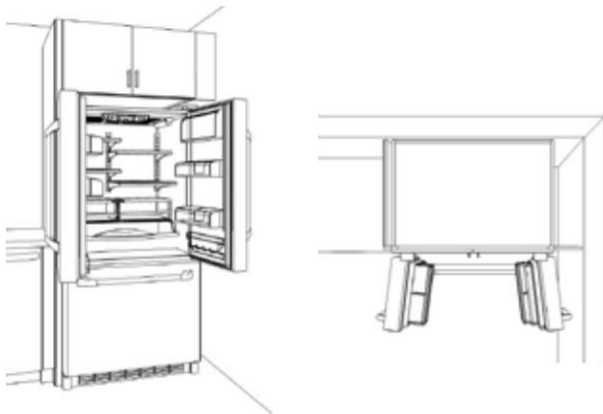
When using the 27" Deep corner cabinets, make sure to place a 3/4" filler next to adjacent cabinet if the adjacent cabinet is shallower. Also make sure to remember the Matching End Panel or Cover Panel for the deeper cabinet.

Using the Wall Cabinet with accessories



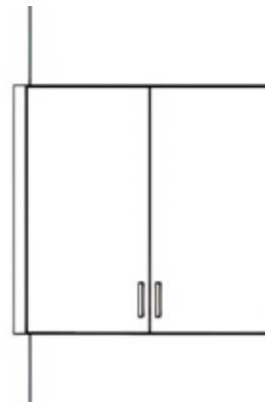
Make sure to allow proper clearance on each side so doors can open 90 degrees or more. This will allow the interior accessory to pull down correctly.

Placing a refrigerator next to a return wall



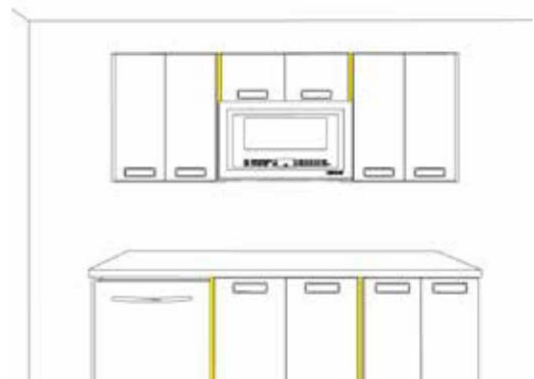
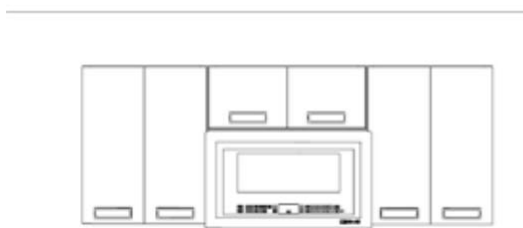
Make sure to leave enough space between refrigerator and wall so doors will open on refrigerator at least 90 degrees.

Placing wall cabinets next to a return wall



When placing cabinets against a side wall, use a minimum of 3/4" filler between wall and cabinet to allow doors to open.

Designing with panels verses skins

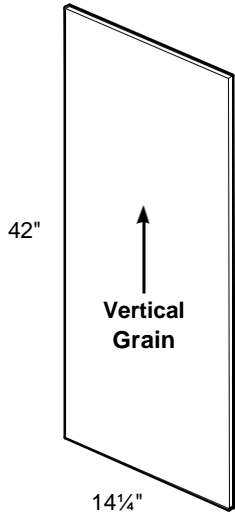


When designing with panels verses skins in the kitchen, you must allow for an extra 1/4" space for each panel. The panels will give the sides of the cabinets the same look/color as the cabinet doors and drawers. When using the panels in the upper run of cabinetry around a microwave or sink, you will also need to balance out the bottom with either panels or fillers so everything stays centered.

Wall Skins and Matching End Panels

15" Wide Wall Skin

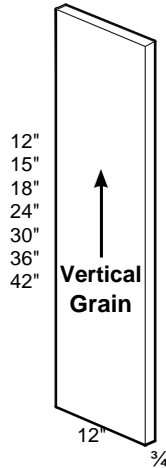
WSK1542



- 1/8" thick plywood finished with vinyl laminate color matched to cabinetry face frame
- Field modified and installed
- Can be modified for shallower depth and shorter wall cabinets

12" Wide Wall Matching End Panels

WEP1212 WEP1224 WEP1215 WEP1230 WEP1218 WEP1236 WEP1242

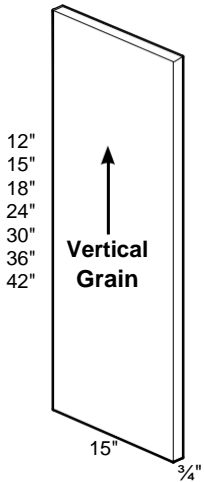


- 3/4" thick
- Durable 2 sided melamine fused to Furniture Grade particleboard or MDF
- Matching End Panels designed to match the finish of the doors
- Edgebanded on all 4 sides
- Field installed
- Panel designed for Left or Right application and to align with front of cabinet face frame

NOTE: Must be field modified if using with reduced depth cabinets

15" Wide Wall Matching End Panels

WEP1512 WEP1524 WEP1515 WEP1530 WEP1518 WEP1536 WEP1542

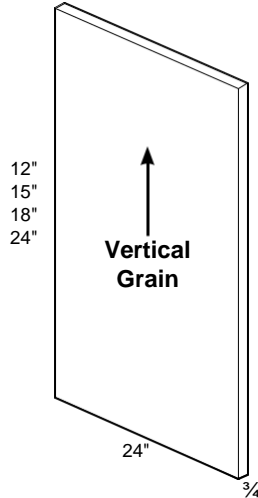


- 3/4" thick
- Durable 2 sided melamine fused to Furniture Grade particleboard or MDF
- Matching End Panels designed to match the finish of the doors
- Edgebanded on all 4 sides
- Field installed
- Panel designed for Left or Right application and to align with front of cabinet face frame

NOTE: Must be field modified if using with reduced depth cabinets

24" Wide Wall Matching End Panels

WEP2412 WEP2418 WEP2415 WEP2424



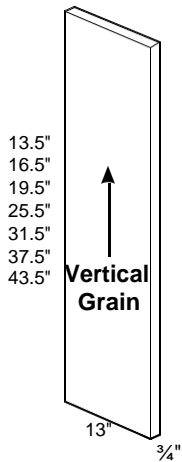
- 3/4" thick
- Durable 2 sided melamine fused to Furniture Grade particleboard or MDF
- Matching End Panels designed to match the finish of the doors
- Edgebanded on all 4 sides
- Field installed
- Panel designed for Left or Right application and to align with front of cabinet face frame

NOTE: Must be field modified if using with reduced depth cabinets

Wall Cover Panels

13" Wide Wall Cover Panels

CPVW13135 CPVW13255
CPVW13165 CPVW13315
CPVW13195 CPVW13375
CPVW13435

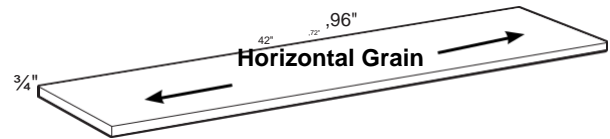


- 3/4" thick
- Durable 2 sided melamine fused to Furniture Grade particleboard or MDF
- Cover Panels designed to match the finish of the doors
- Edgebanded on all 4 sides
- Field installed over factory installed skin
- Panel designed for Left or Right application and to align with front of door face to create inset door appearance

NOTE: Must be field modified if using with reduced depth cabinets

13" Wide Horizontal Cover Panels

CPH1342 CPH1372
CPH1396

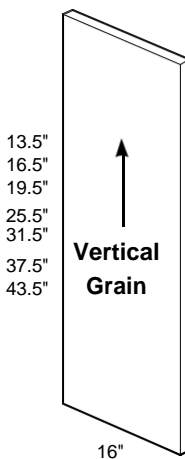


- 3/4" thick
- Durable 2 sided melamine fused to Furniture Grade particleboard
- Cover Panels designed to match the finish of the doors
- Edgebanded on all 4 sides
- Field installed over factory installed skin
- Panel designed for above or below application and to align with front of door face to create inset door appearance

NOTE: Must be field modified if using with reduced depth cabinets

16" Wide Wall Cover Panels

CPVW16135 CPVW16255
CPVW16165 CPVW16315
CPVW16195 CPVW16375
CPVW16435

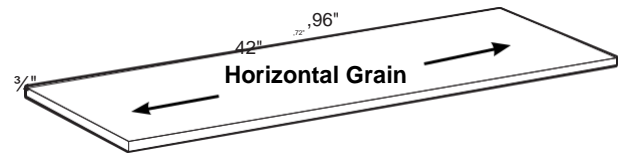


- 3/4" thick
- Durable 2 sided melamine fused to Furniture Grade particleboard or MDF
- Cover Panels designed to match the finish of the doors
- Edgebanded on all 4 sides
- Field installed over factory installed skin
- Panel designed for Left or Right application and to align with front of door face to create inset door appearance

NOTE: Must be field modified if using with reduced depth cabinets

16" Wide Horizontal Cover Panels

CPH1642 CPH1672
CPH1696

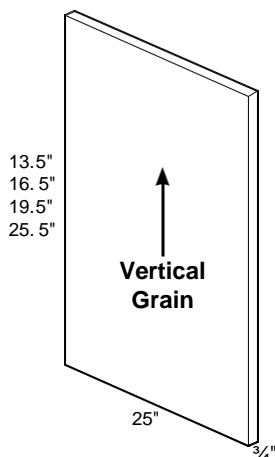


- 3/4" thick
- Durable 2 sided melamine fused to Furniture Grade particleboard or MDF
- Cover Panels designed to match the finish of the doors
- Edgebanded on all 4 sides
- Field installed over factory installed skin
- Panel designed for above or below application and to align with front of door face to create inset door appearance

NOTE: Must be field modified if using with reduced depth cabinets

25" Wide Wall Cover Panels

CPVW25135 CPVW25195
CPVW25165 CPVW25255

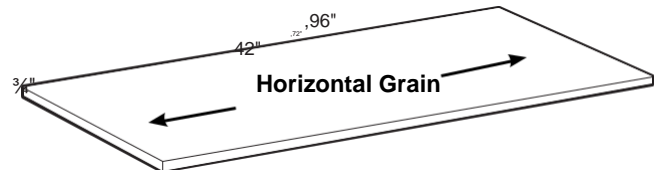


- 3/4" thick
- Durable 2 sided melamine fused to Furniture Grade particleboard or MDF
- Cover Panels designed to match the finish of the doors
- Edgebanded on all 4 sides
- Field installed over factory installed skin
- Panel designed for Left or Right application and to align with front of door face to create inset door appearance

NOTE: Must be field modified if using with reduced depth cabinets

25" Wide Horizontal Cover Panels

CPH2542 CPH2572
CPH2596



- 3/4" thick
- Durable 2 sided melamine fused to Furniture Grade particleboard or MDF
- Cover Panels designed to match the finish of the doors
- Edgebanded on all 4 sides
- Field installed over factory installed skin
- Panel designed for above or below application and to align with front of door face to create inset door appearance

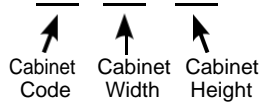
NOTE: Must be field modified if using with reduced depth cabinets

Accent Cabinets

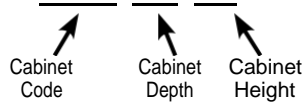
ACCENT CABINET CODING

STANDARD (12" DEEP) END OPEN SHELVES (12" DEEP WIDE)

OS 30 30



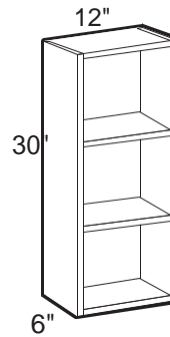
EOS 6 30



- Standard wall cabinets are 12" deep. End open shelf cabinets are 6" deep.
- Accent cabinets are available in all laminate door finishes.
- For high gloss and textured melamine, the glossy or textured finish will be on the inside faces of the accent cabinet. Exteriors will be matching color with a smooth satin finish.
- We recommend installing accent cabinets between two other cabinets.

30" High End Open Shelf

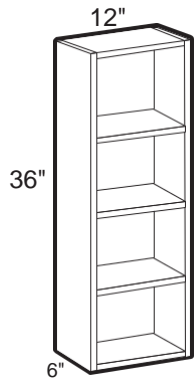
EOS630



- 3/4" Thick, durable 2 sided melamine finish fused to Furniture Grade particleboard
- 2 Adjustable shelves
- Full access, frameless construction

36" High End Open Shelf

EOS636



- 3/4" Thick, durable 2 sided melamine finish fused to Furniture Grade particleboard
- 3 Adjustable shelves
- Full access, frameless construction

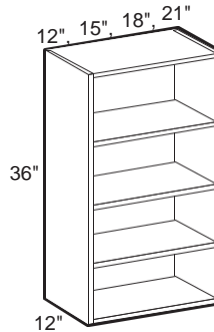
36" High Open Shelf

OS1236

OS1536

OS1836

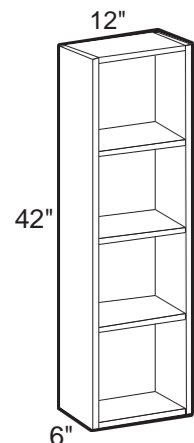
OS2136



- 3/4" Thick, durable 2 sided melamine finish fused to Furniture Grade particleboard
- 3 Adjustable shelves
- Full access, frameless construction

42" High End Open Shelf

EOS642



- 3/4" Thick, durable 2 sided melamine finish fused to Furniture Grade particleboard
- 3 Adjustable shelves
- Full access, frameless construction

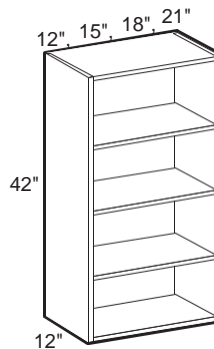
42" High Open Shelf

OS1242

OS1542

OS1842

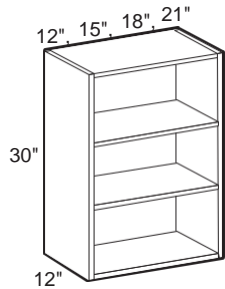
OS2142



- 3/4" Thick, durable 2 sided melamine finish fused to Furniture Grade particleboard
- 3 Adjustable shelves
- Full access, frameless construction

Accent Cabinets

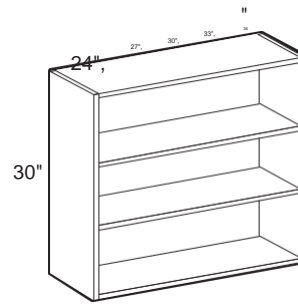
30" High Open Shelf



OS1230
OS1530
OS1830
OS2130

- 3/4" Thick, durable 2 sided melamine finish fused to Furniture Grade particleboard
- 2 Adjustable shelves
- Full access, frameless construction

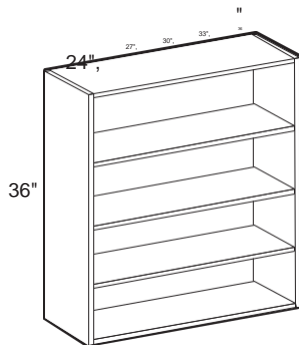
30" High Open Wide Shelf



OS2430
OS2730
OS3030
OS3330
OS3630

- 3/4" Thick, durable 2 sided melamine finish fused to Furniture Grade particleboard
- 2 Adjustable shelves
- Full access, frameless construction

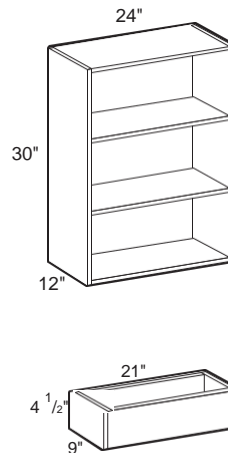
36" High Open Wide Shelf



OS2436
OS2736
OS3036
OS3336
OS3636

- 3/4" Thick, durable 2 sided melamine finish fused to Furniture Grade particleboard
- 3 Adjustable shelves
- Full access, frameless construction

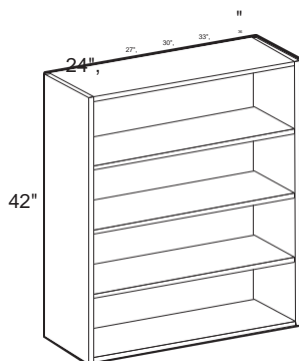
34.5" High End Open Shelf



EOS12345

- 3/4" Thick furniture board with 2 sided durable melamine laminate
- 3 Interior shelves, 2 adjustable
- Full access, frameless construction
- Includes separate 4.5" high Toe Kick Box

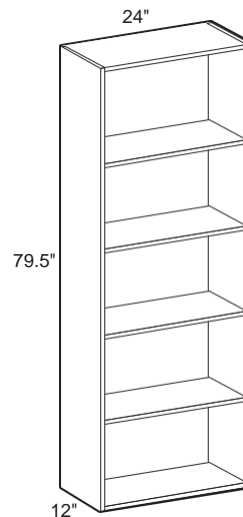
42" High Open Wide Shelf



OS2442
OS2742
OS3042
OS3342
OS3642

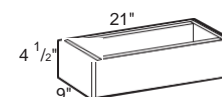
- 3/4" Thick, durable 2 sided melamine finish fused to Furniture Grade particleboard
- 3 Adjustable shelves
- Full access, frameless construction

84" High Tall Open Shelf



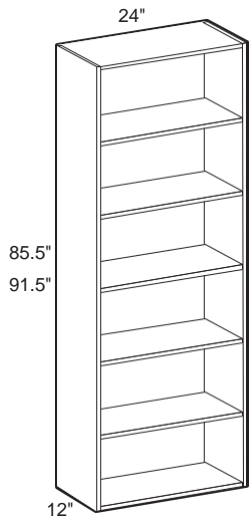
OS2484

- 3/4" Thick furniture board with 2 sided durable melamine laminate
- 5 Interior shelves, 4 adjustable
- Full access, frameless construction
- Includes separate 4.5" high Toe Kick Box



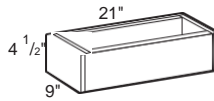
Accent Cabinets

Tall Open Shelf

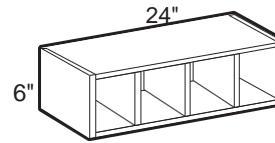


OS2490
OS2496

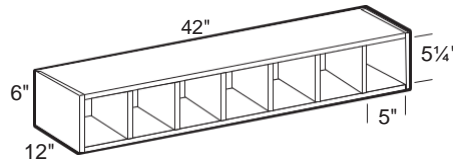
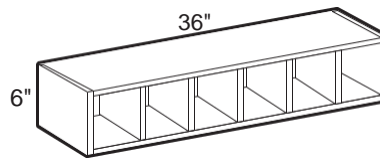
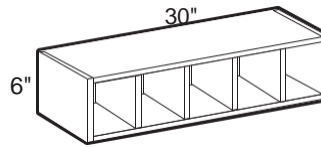
- 3/4" Thick furniture board with 2 sided durable melamine laminate
- 6 Interior shelves, 5 adjustable
- Full access, frameless construction
- Includes separate 4.5" high Toe Kick Box



12" Deep Wine Rows

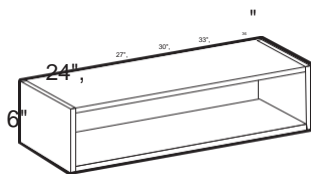
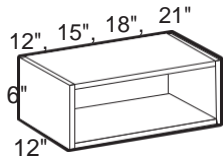


WR2412
WR3012
WR3612
WR4212



12" Deep Service Shelves

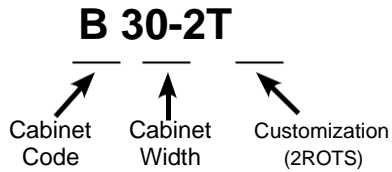
SS1212 **SS2412**
SS1512 **SS2712**
SS1812 **SS3012**
SS2112 **SS3312**
SS3612



- 3/4" Thick furniture board with 2 sided durable melamine laminate
- Full access, frameless construction
- Recommended to be installed into Horizontal Cover Panel.

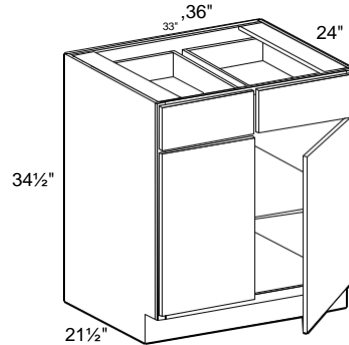
- Can be installed horizontally for vertically
- 3/4" Thick furniture board with 2 sided durable melamine laminate
- Full access, frameless construction
- Recommended to be installed into Horizontal Cover Panel for horizontal installations.

BASE CABINET CODING



- Standard Base Cabinets are 24" deep and 34½" high
- Soft close hinges and full extension drawers with soft close
- Cabinet depth does not include door thickness
- Standard cabinet exterior is color matched to face frame. End panels that match the door finish are optional
- Matching End Panels or Cover Panels are recommended if the cabinet will be on the end of a run or exposed in any way.

24" Deep Double Door



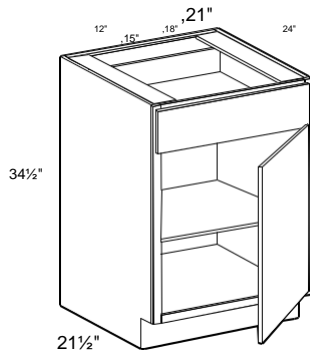
B36

- One full-depth adjustable shelf
- **CUSTOM DEPTH: 9" to 23" deep (9" to 14" deep options have false front & no drawer)**

24" Deep Single Door



RIGHT or LEFT HINGED



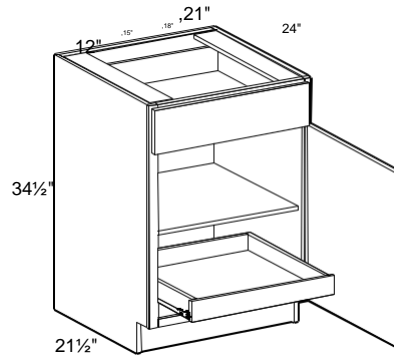
B12
B15
B18
B21

- One full-depth adjustable shelf
- **CUSTOM DEPTH: 9" to 23" deep (9" to 14" deep options have false front & no drawer)**

24" Deep Single Door with 1 Roll-Out Tray

SPECIFY
RIGHT or LEFT HINGED

B12-1T



B15-1T
B18-1T
B21-1T

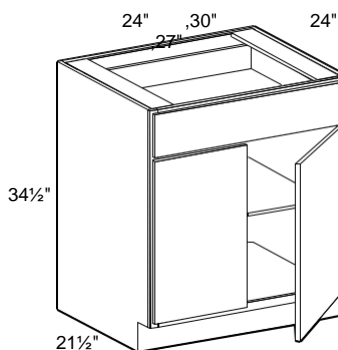
- One full-depth adjustable shelf
- One full width roll-out tray

24" Deep Double Door



B24

B27
B30



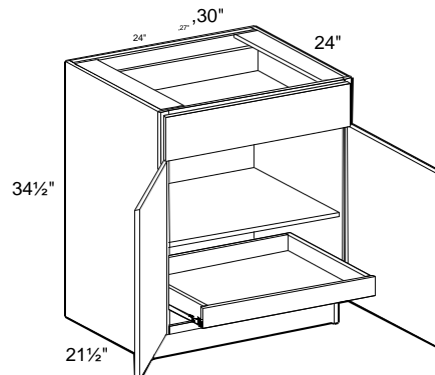
- One full-depth adjustable shelf
- **CUSTOM DEPTH: 9" to 23" deep (9" to 14" deep options have false front & no drawer)**

24" Deep Double Door with 1 Roll-Out Tray

B24-1T

B27-1T

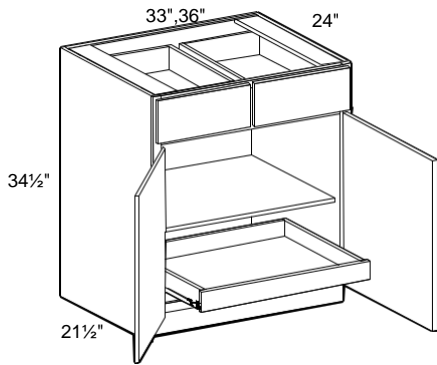
B30-1T



- One full-depth adjustable shelf
- One full width roll-out tray

Base Cabinets

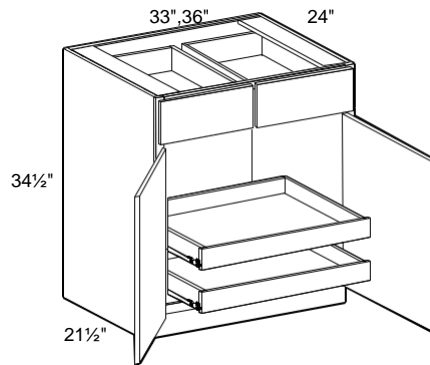
24" Deep Double Door with 1 Roll-Out Tray



B33-1T
B36-1T

- One full-depth adjustable shelf
- One full width roll-out tray

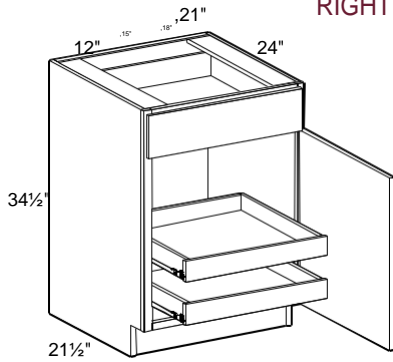
24" Deep Double Door with 2 Roll-Out Trays



B33-2T
B36-2T

- Two full-depth roll-out trays

24" Deep Single Door with 2 Roll-Out Trays

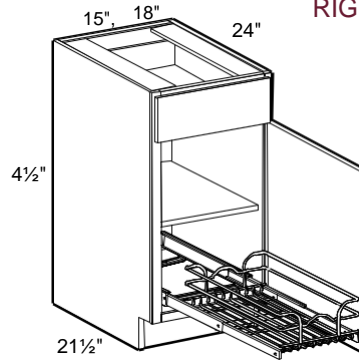


SPECIFY
RIGHT or LEFT HINGED

B12-2T
B15-2T
B18-2T
B21-2T

- Two full width roll-out trays

24" Deep Single Door with 1 Chrome Roll-Out Tray

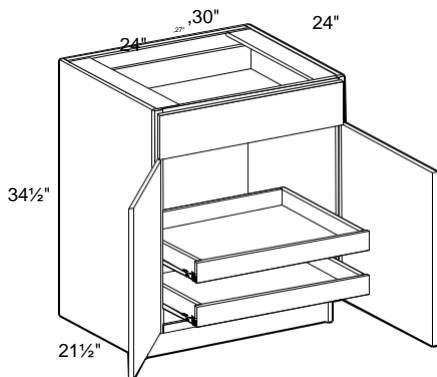


SPECIFY
RIGHT or LEFT HINGED

B15-1WT
B18-1WT

- **FIELD INSTALLED**
- One full width chrome wire roll-out tray
- 100 lb rated full-extension, ball bearing slides (not soft close)
- Floor mounting, not adjustable

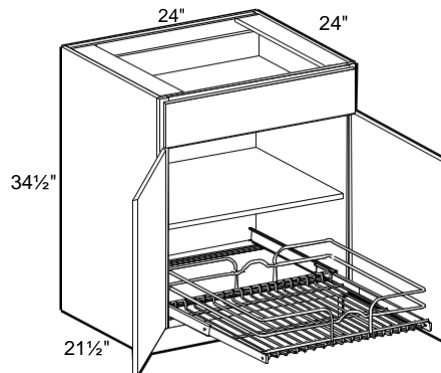
24" Deep Double Door with 2 Roll-Out Trays



B24-2T
B27-2T
B30-2T

- Two full width roll-out trays

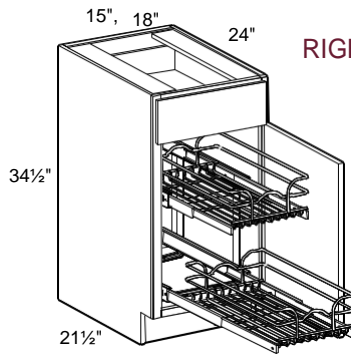
24" Deep Double Door with 1 Chrome Roll-Out Tray



B24-1WT

- **FIELD INSTALLED**
- One full width chrome wire roll-out tray
- 100 lb rated full-extension, ball bearing slides (not soft close)
- Floor mounting, not adjustable

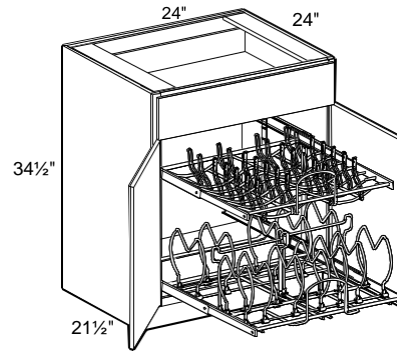
24" Deep Single Door with 2 Chrome Roll-Out Trays



SPECIFY
RIGHT or LEFT HINGED
B15-2WT
B18-2WT

- **FIELD INSTALLED**
- Two full width chrome wire roll-out trays
- 100 lb rated full-extension, ball bearing slides (not soft close)
- Floor mounting, not adjustable

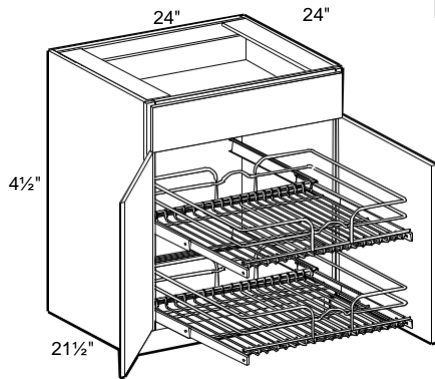
24" Deep Double Door with 2-Tier Cookware Organizer



B24-CWO

- **FIELD INSTALLED**
- Two chrome wire tiers operate independently
- Adjustable dividers on bottom tier accommodate different size pots and pans
- Floor, side, and rear mounted
- 100lb rated full-extension soft close ball-bearing slides

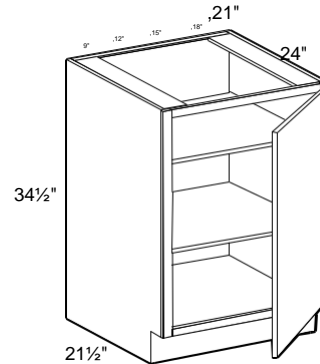
24" Deep Double Door with 2 Chrome Roll-Out Trays



B24-2WT

- **FIELD INSTALLED**
- Two full width chrome wire roll-out trays
- 100 lb rated full-extension, ball bearing slides (not soft close)
- Floor mounting, not adjustable

24" Deep Single Full Height Door

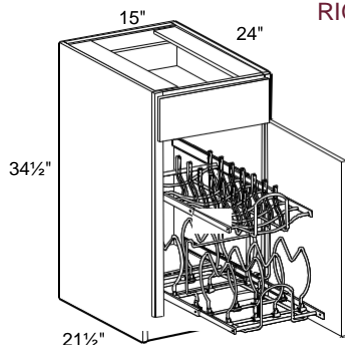


SPECIFY
RIGHT or LEFT HINGED

B09FH
B12FH
B15FH
B18FH
B21FH

- Two full-depth adjustable shelves
- **CUSTOM DEPTH: 9" to 23" deep**

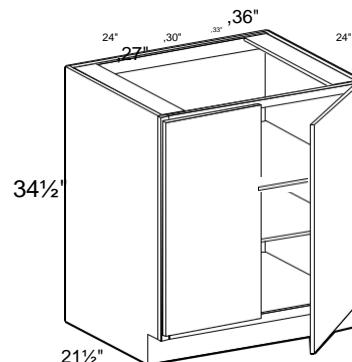
24" Deep Single Door with 2-Tier Cookware Organizer



SPECIFY
RIGHT or LEFT HINGED
B15-CWO

- **FIELD INSTALLED**
- Two chrome wire tiers operate independently
- Adjustable dividers on bottom tier accommodate different size pots and pans
- Floor, side, and rear mounted
- 100lb rated full-extension soft close ball-bearing slides

24" Deep Double Full Height Door

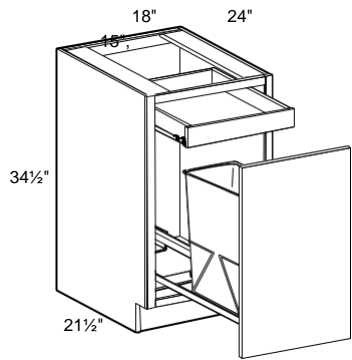


B24FH
B27FH
B30FH
B33FH
B36FH

- Two full-depth adjustable shelves -
- **CUSTOM DEPTH: 9" to 23" deep**

Base Cabinets

24" Deep Single 35 qt. Waste Basket Pullout



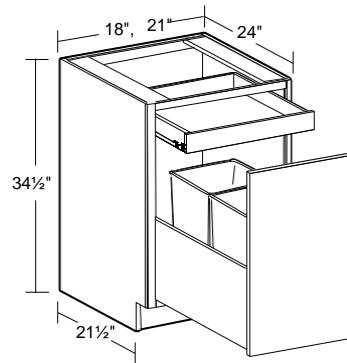
B1WB15

B1WB18

- Basket slides on heavy duty, full extension runners
- 35 quart white plastic basket sits in a white epoxy coated wire frame
- Basket is removable

- Basket dimensions: 10"W x 14"D x 18"H
- Top mount roll-out tray for trash bag storage
- **SOFT CLOSE NOT AVAILABLE**

24" Deep DELUXE Double 35 qt. Waste Basket Pullout



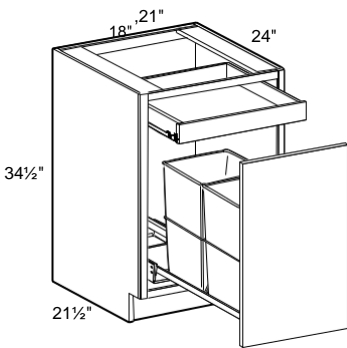
B2DWB18

B2DWB21

- Baskets slide on heavy duty, full extension, Soft Close runners
- Two 35 quart white plastic baskets sit in a dovetailed plywood drawer box
- Baskets are removable

- Basket dimensions: 14"W x 10"D x 18"H
- Top mount roll-out tray for trash bag storage
- **SOFT CLOSE INCLUDED!**

24" Deep Double 27 qt. Waste Basket Pullout



B2WB18

B2WB21

- Baskets slide on heavy duty, full extension runners
- Two 27 quart white plastic baskets sit in a white epoxy coated wire frame
- Baskets are removable

- Basket dimensions: 11"W x 11"D x 18"H
- Top mount roll-out tray for trash bag storage
- **SOFT CLOSE NOT AVAILABLE**

24" Deep Base - 3 Drawers



CUSTOM DEPTH

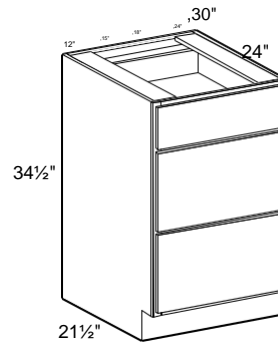
BD12

BD15

BD18

BD24

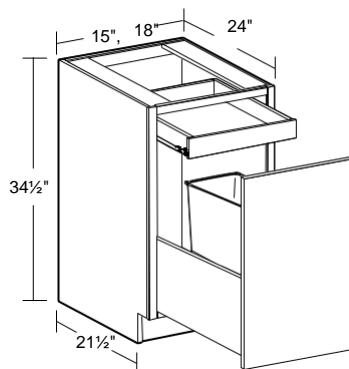
BD30



- One standard top drawer - Two deep drawers

- **CUSTOM DEPTH: 15" to 23" deep**

24" Deep DELUXE Single 35 qt. Waste Basket Pullout



B1DWB15

B1DWB18

- Basket slides on heavy duty, full extension, Soft Close runners
- 35 quart white plastic basket sits in a dovetailed plywood drawer box
- Basket is removable

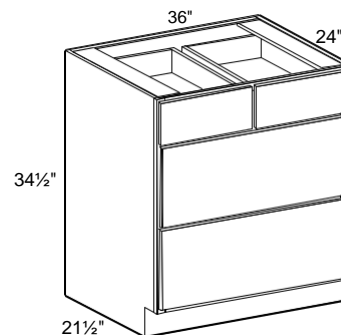
- Basket dimensions: 14"W x 10"D x 18"H
- Top mount roll-out tray for trash bag storage

24" Deep Base - 4 Drawers



CUSTOM DEPTH

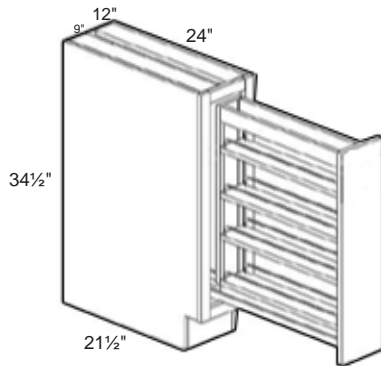
BD36



- Two standard top drawers
- Two deep drawers

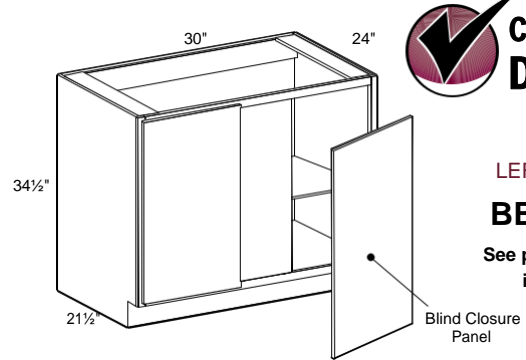
24" Deep Base Pantry Pullout

BPPO9
BPPO12



- Available in 9" & 12" width cabinets
- Full extension ball bearing slides provide stable, smooth pullout function
- Adjustable shelves with chrome rails

24" Deep Blind Base Corner Full Height Door

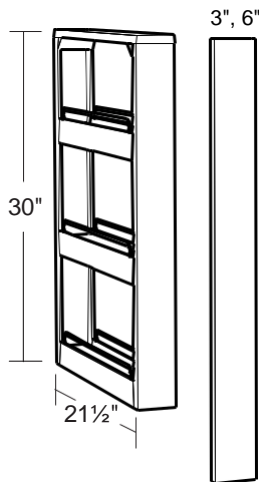


CUSTOM DEPTH
SPECIFY
RIGHT or
LEFT BLIND
BBCU39
See page 37 for
installation

- Indicate R or L for blind side (right shown)
- Cabinet can be pulled for exact fit (see installation chart)
- 3" filler, 3" & 6" overlay fillers, and 1/8" blind closure panel included
- Door width is 11 3/4"
- **CUSTOM DEPTH: 9" to 23" deep**

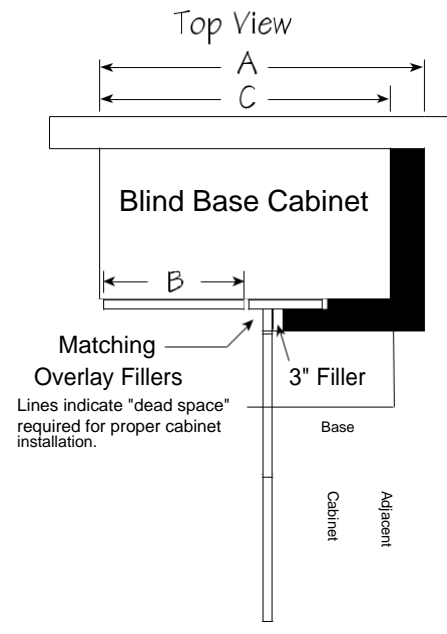
24" Deep Filler Pantry Pullout

BFPO3
BFPO6



- Available in 3" & 6" widths with matching Filler Strip
- Full extension ball bearing slides provide stable, smooth pullout function
- Adjustable shelves with chrome rails
- Pull-out unit must be installed between two cabinets
- Filler strip attached to pull-out unit after installation

Blind Base Corner Installation

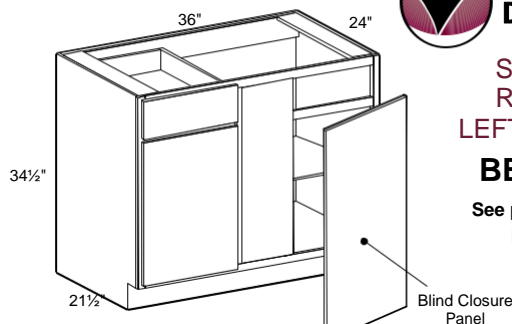


24" Deep Blind Base Corner

CUSTOM DEPTH

SPECIFY
RIGHT or
LEFT BLIND
BBCU42

See page 37 for
installation

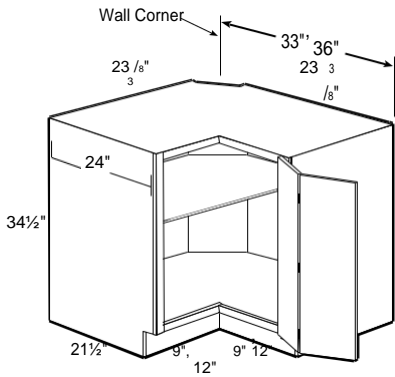


- Indicate R or L for blind side (right shown)
- Cabinet can be pulled for exact fit (see installation chart)
- 3" filler, 3" & 6" overlay fillers, and 1/8" blind closure panel included
- Door and Drawer Width is 14 3/4"
- **CUSTOM DEPTH: 9" to 23" deep (9" to 14" deep options have false front & no drawer)**

BLIND BASE INSTALLATION GUIDE			
Cabinet	Wall Space "A"	Frame Opening	Cabinet
	Min - Max	Width "B"	Width "C"
BBCU39	39" - 42"	8 1/8"	30"
BBCU42	42" - 45"	12"	36"

Base Cabinets

33" and 36" Easy Reach



SPECIFY
RIGHT or LEFT HINGED

EZR33
EZR36

- **SOFT CLOSE DOOR (SCD) OPTION NOT AVAILABLE**

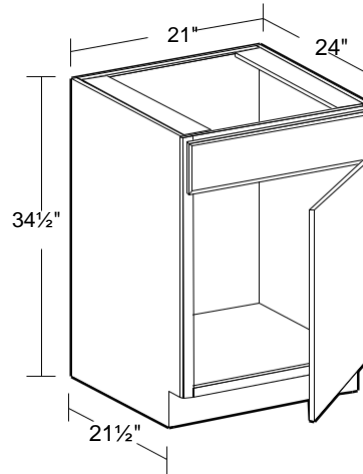
- One full-depth straight adjustable shelf (reversible)
- Doors open 170 degrees for easy access
- Clip Corner is 1/4" veneered MDF
- Ontario door styles will feature a vertical integrated pull on all Easy Reach corner base cabinets

21" Deep Single Door Sink Base



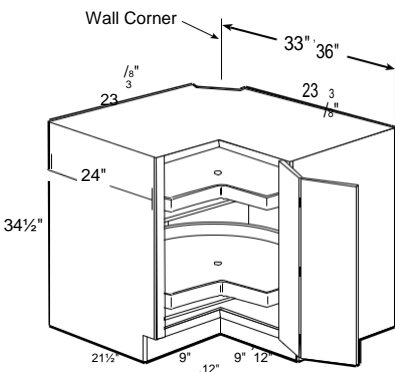
CUSTOM DEPTH

SPECIFY
RIGHT or LEFT HINGED
SB21



- Maximum sink cutout 19" wide
- No shelf
- False drawer front

33" and 36" Easy Reach Super Suzan



SPECIFY
RIGHT or LEFT HINGED

EZR33SS
EZR36SS

- **SOFT CLOSE DOOR (SCD) OPTION NOT AVAILABLE**

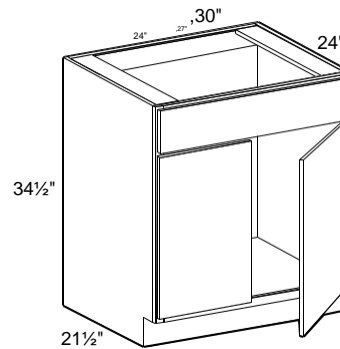
- Two 26" or 28" diameter, pie-cut independently revolving all wood shelves
- Doors open 170 degrees for easy access
- Clip Corner is 1/4" veneered MDF
- Ontario door styles will feature a vertical integrated pull on all Easy Reach corner base cabinets

24" Deep Sink Base



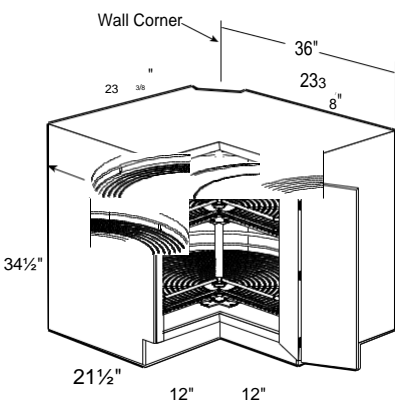
CUSTOM DEPTH

SB24
SB27
SB30



- No shelf, false drawer front
- May also be used as drop-in cooktop base
- **CUSTOM DEPTH: 9" to 23" deep**

36" Easy Reach Chrome Suson



SPECIFY
RIGHT or LEFT HINGED

EZR36-2WLS

- **SOFT CLOSE DOOR (SCD) OPTION NOT AVAILABLE**

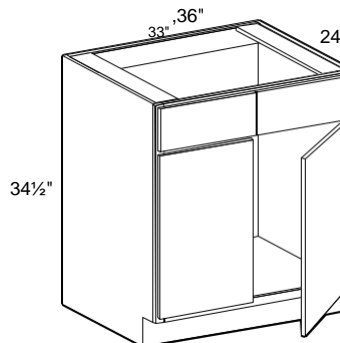
- **CHROME SUSAN FIELD INSTALLED BEFORE COUNTERTOP INSTALLATION**
- Doors open 170 degrees for easy access
- Clip Corner is 1/4" veneered MDF
- Ontario door styles will feature a vertical integrated pull

24" Deep Sink Base



CUSTOM DEPTH

SB33
SB36



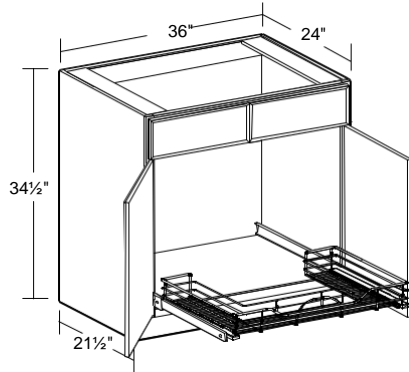
38 on all Easy Reach corner base cabinets

21½"

- No shelf, two false drawer fronts
- May also be used as drop-in cooktop base
- **CUSTOM DEPTH: 9" to 23" deep**

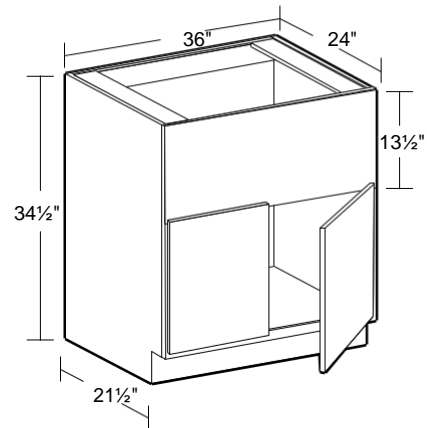
24" Deep Sink Base with 1 Chrome Roll-out Tray

SB36-1USWP



- No Shelf, two false drawer fronts full extension with soft close
- One full width U-shaped chrome wire roll-out tray
- Designed to fit around sink plumbing
- Full extension, 250lb. rated slides with soft-close

24" Deep Farm Sink Base

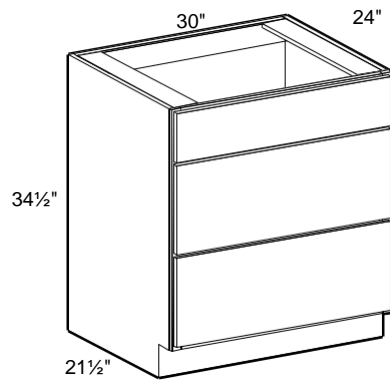


NOTE: Apron front matches face frame and not the door

- Front rail is field modified to fit sink
- No shelf
- **CUSTOM DEPTH: 9" to 23" deep**

24" Deep Base Cooktop - Single False Front

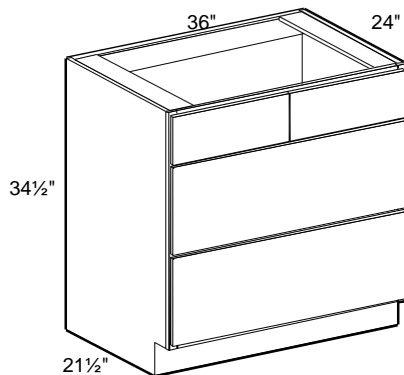
BCT30



- False top drawer front
- Two deep drawers
- Accepts drop-in cooktop

24" Deep Base Cooktop - Double False Front

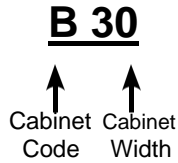
BCT36



- False top drawer fronts
- Two deep drawers
- Accepts drop-in cooktop

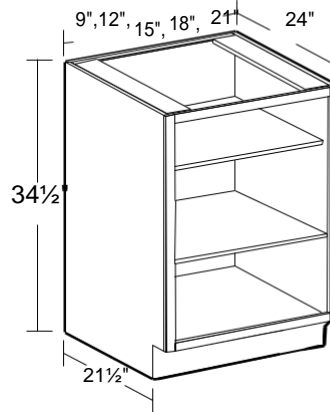
Base Cabinets with No Doors

BASE CABINET CODING



- Standard Base Cabinets are 24" deep and 34½" high
- Interior of No Door cabinets are color matched to face frame. (See Pages 2-5 for details on cabinet box colors.)
- Standard cabinet exterior is color matched to face frame. End panels that match the door finish are optional
- Matching End Panels or Cover Panels are recommended if the cabinet will be on the end of a run or exposed in any way.

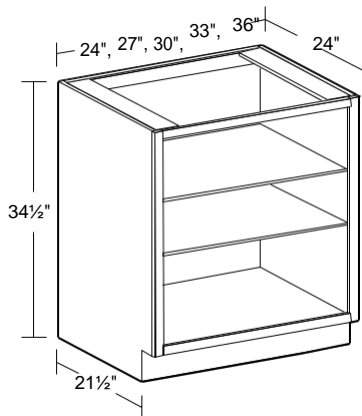
24" Deep Base Cabinet with no Doors



- B12ND**
- B15ND**
- B18ND**
- B21ND**

- Two color matched full-depth adjustable shelves
- **CUSTOM DEPTH: 9" to 23" deep**

24" Deep Base Cabinet with no Doors



- B24ND**
- B27ND**
- B30ND**
- B33ND**
- B36ND**

- Two color matched full-depth adjustable shelves
- **CUSTOM DEPTH: 9" to 23" deep**

Using ND Base Cabinets



Customize the depth of B24ND down to 12" you can use it on the end of a cabinet run for an interesting transition in the kitchen. This option is shown with a BEP2435 field modified on the exposed side of the ND cabinet to mimic a finished door.

Please Note: ND cabinets are finished to match the face frame and not the Metro doors.

Base Cabinets Design Tips

Designing Around a Range



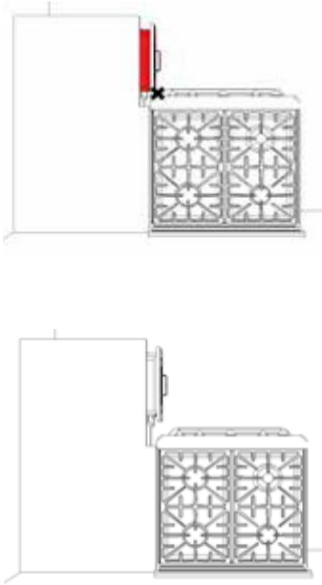
Make sure to give landing space on each side of a cooking appliance when placing in design.

Clearance for Roll Out Trays



Be sure to leave enough clearance for doors to open at least 90 degrees. This will allow the roll out trays to be operated correctly.

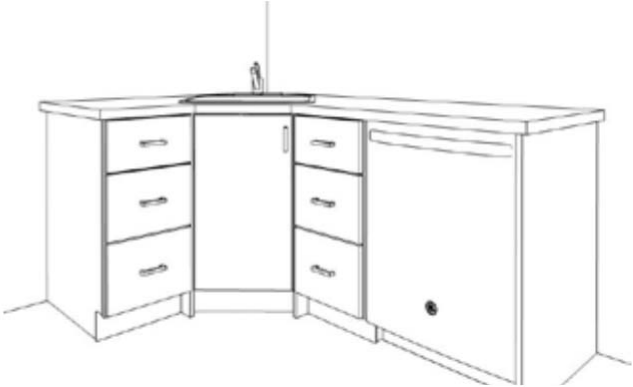
Blind Cabinets with Drawers



When placing a blind base cabinet, cabinet with drawer or trash pull out, make sure to allow enough clearance so drawer/pull out will open fully.

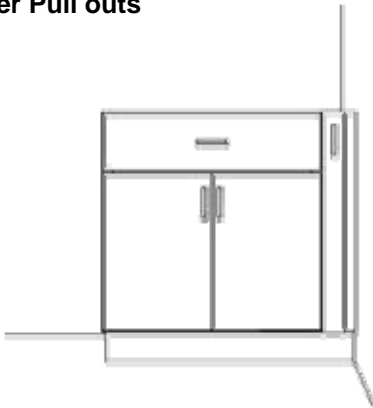
Make sure to leave enough space to allow drawer to open if placing around corner from range or appliance.

Using a Sink Front Angle



For sufficient dishwasher door clearance and loading/unloading space, a 15" wide base cabinet is recommended for use between a corner sink base and dishwasher.

Base Filler Pull outs

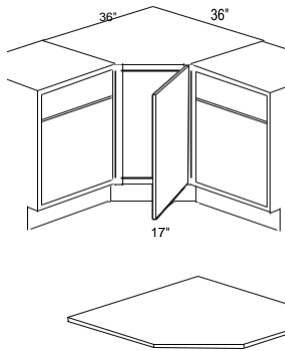


If placing next to a wall - Must use BEP24345 between wall and pull out.

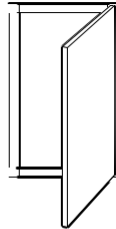
Also side of adjacent cabinet should not be finished with a finished skin.

Base Skins and Panels

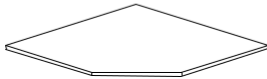
Sink Front Angle



FACE FRAME & DOOR SFA36

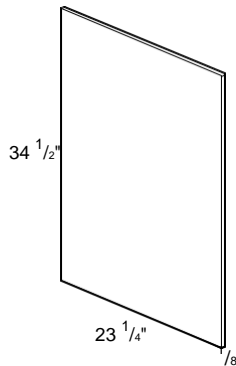


CORNER FLOOR SFAF36



- Angle sink front must be installed between two cabinets
- Frame/door can be installed with hinges on right or left
- Floor support and toe base must be field constructed
- Maximum sink width for this application 25^{3/4}"

Base Skin

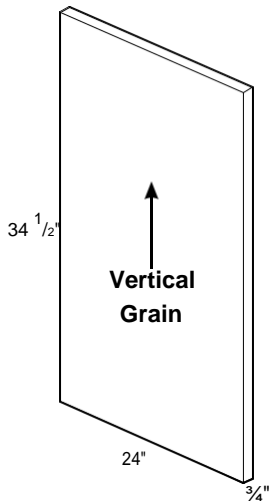


BSK345

- 1/8" thick plywood finished with vinyl laminate color matched to cabinetry face frame
- Field modified and installed
- Can be field modified for shallower depth cabinets

24" Wide Base Matching End Panels

BEP24345

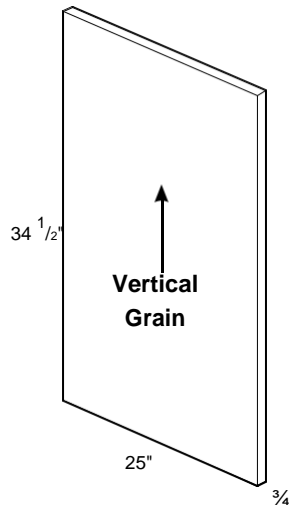


- 3/4" thick
- Durable 2 sided melamine fused to Furniture Grade particleboard or MDF
- Matching End Panels designed to match the finish of the doors
- Edgebanded on all 4 sides
- Field installed
- Panel designed for Left or Right application and to align with front of cabinet face frame

NOTE: Must be field modified if using with reduced depth cabinets

25" Wide Base Cover Panels

CPVB25345

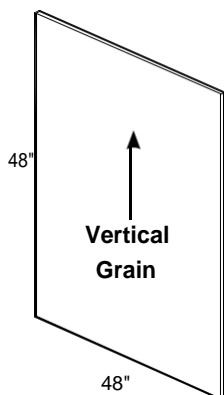


- 3/4" Thick
- Durable 2 sided melamine finish fused to Furniture Grade particleboard or MDF
- Cover Panels designed to match the finish of the doors
- Edgebanded on all 4 sides
- Field installed
- Panel designed for Left or Right application and to align with front of door face to create inset door appearance

NOTE: Must be field modified if using with reduced depth cabinets

Island Skin

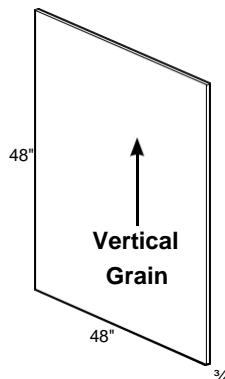
ISK4848



- 1/8" thick plywood finished with vinyl laminate color matched to cabinetry face frame
- Field modified and installed
- Island Skins designed to match color of face frame and not the finish of the doors

Island Panel

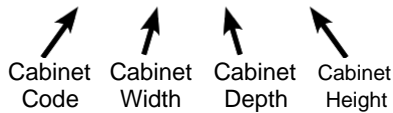
IPL4848



- 3/4" thick
- Durable 2 sided melamine fused to Furniture Grade particleboard or MDF
- Island Panels designed to match the finish of the doors
- Edgebanded on all 4 sides
- Field modified and installed

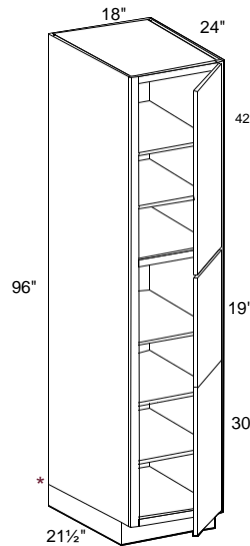
TALL CABINET CODING

U242484



- Standard Tall Cabinets are 24" deep
- Add door thickness for total cabinet depth
- Standard cabinet exterior is color matched to face frame. End panels that match the door finish are optional
- Matching End Panels or Cover Panels are recommended if the cabinet will be on the end of a run or exposed in any way.
- Soft close hinges

24" Deep Two Door Utility



SPECIFY RIGHT or LEFT HINGED

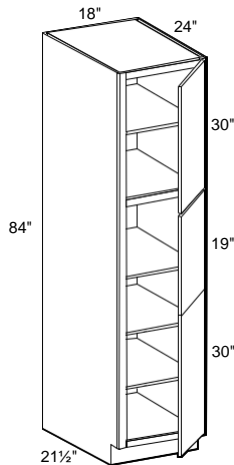
U182496

- One fixed shelf dividing upper and lower door, 5 adjustable shelves
- Lower door is solid ONLY for door styles 301, 304, 306 and 406. Remaining door styles have 2 panels joined together with metal brackets
- Optional rollout trays or additional shelves available
- * Loose toe kick box for ease of installation
- **CUSTOM DEPTH: 9" to 23"**

24" Deep Two Door Utility



SPECIFY RIGHT or LEFT HINGED
U182484

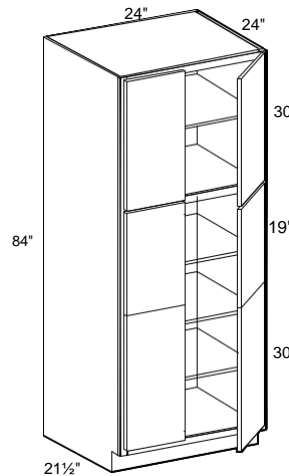


- One fixed shelf dividing upper and lower door, 4 adjustable shelves
- Lower door is solid ONLY for door styles 301, 304, 306 and 406. Remaining door styles have 2 panels joined together with metal brackets
- Optional rollout trays or additional shelves available
- **CUSTOM DEPTH: 9" to 23"**

24" Deep Four Butt Door Utility



U242484

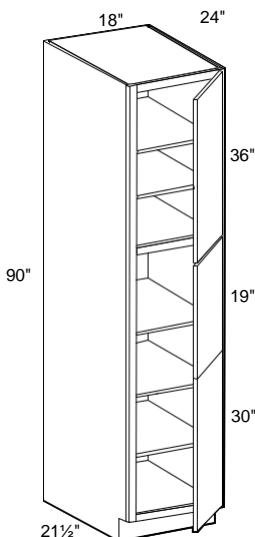


- One fixed shelf dividing upper and lower doors, 4 adjustable shelves
- Lower door is solid ONLY for door styles 301, 304, 306 and 406. Remaining door styles have 2 panels joined together with metal brackets
- Optional rollout trays or additional shelves available
- **CUSTOM DEPTH: 9" to 23"**

24" Deep Two Door Utility



SPECIFY RIGHT or LEFT HINGED
U182490

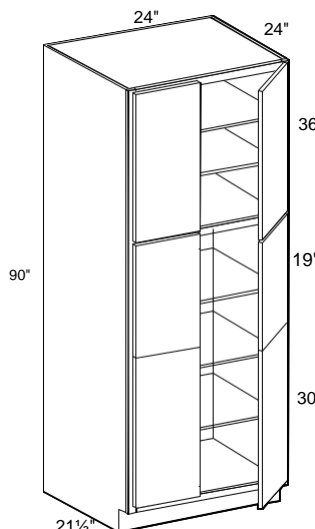


- One fixed shelf dividing upper and lower door, 4 adjustable shelves
- Lower door is solid ONLY for door styles 301, 304, 306 and 406. Remaining door styles have 2 panels joined together with metal brackets
- Optional rollout trays or additional shelves available
- **CUSTOM DEPTH: 9" to 23" deep**

24" Deep Four Butt Door Utility



U242490



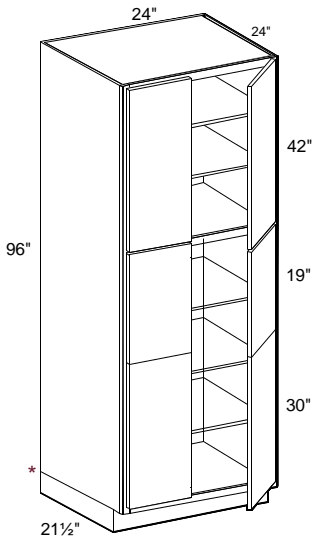
- One fixed shelf dividing upper and lower doors, 4 adjustable shelves
- Lower door is solid ONLY for door styles 301, 304, 306 and 406. Remaining door styles have 2 panels joined together with metal brackets
- Optional rollout trays or additional shelves available
- **CUSTOM DEPTH: 9" to 23" deep**

Tall Cabinets

24" Deep Four Butt Door Utility



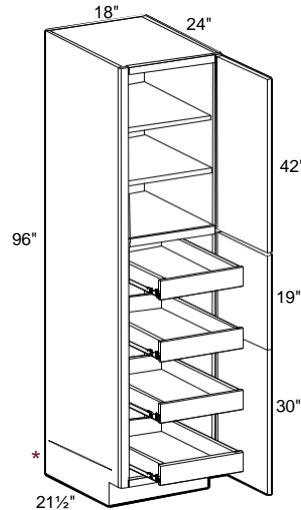
U242496



- One fixed shelf dividing upper and lower doors, 5 adjustable shelves
- Lower door is solid ONLY for door styles 301, 304, 306 and 406. Remaining door styles have 2 panels joined together with metal brackets
- Optional rollout trays or additional shelves available
- * Loose toe kick box for ease of installation
- **CUSTOM DEPTH: 9" to 23" deep**

24" Deep Two Door Utility with Four Rollout Trays

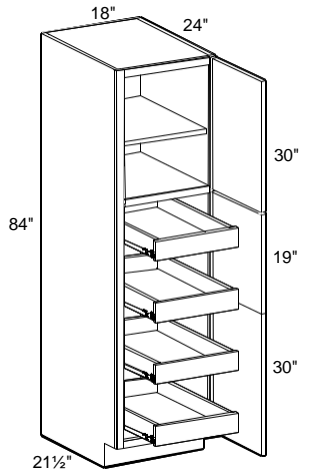
SPECIFY RIGHT or LEFT HINGED
U182496-4T



- One fixed shelf dividing upper and lower door, 2 adjustable shelves
- Lower door is solid ONLY for door styles 301, 304, 306 and 406. Remaining door styles have 2 panels joined together with metal brackets
- 4 Repositionable, full width rollout trays
- * Loose toe kick box for ease of installation

24" Deep Two Door Utility with Four Rollout Trays

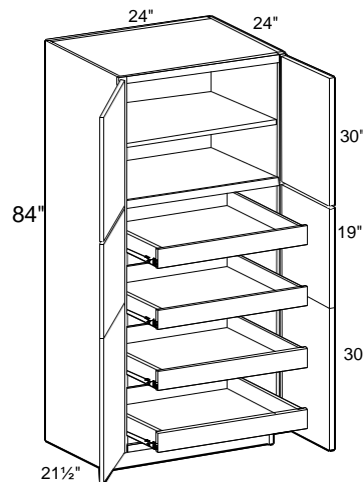
SPECIFY RIGHT or LEFT HINGED
U182484-4T



- One fixed shelf dividing upper and lower door, one adjustable shelf
- Lower door is solid ONLY for door styles 301, 304, 306 and 406. Remaining door styles have 2 panels joined together with metal brackets
- 4 Repositionable, full width rollout trays

24" Deep Four Butt Door Utility with Four Rollout Trays

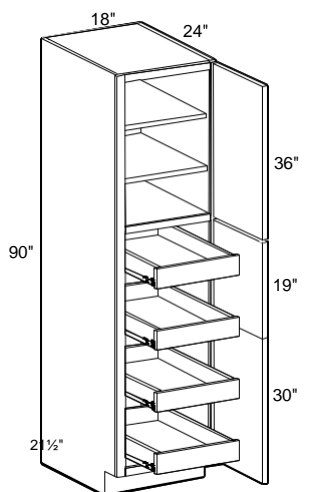
U242484-4T



- One fixed shelf dividing upper and lower doors, one adjustable shelf
- Lower door is solid ONLY for door styles 301, 304, 306 and 406. Remaining door styles have 2 panels joined together with metal brackets
- 4 Repositionable, full width rollout trays

24" Deep Two Door Utility with Four Rollout Trays

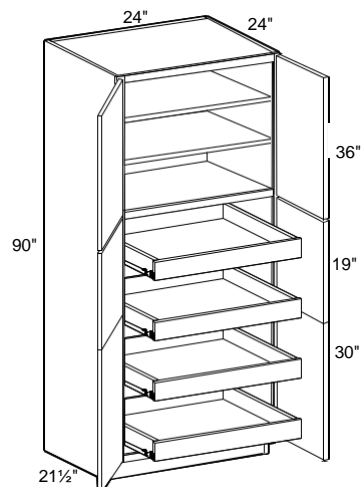
SPECIFY RIGHT or LEFT HINGED
U182490-4T



- One fixed shelf dividing upper and lower door, 2 adjustable shelves
- Lower door is solid ONLY for door styles 301, 304, 306 and 406. Remaining door styles have 2 panels joined together with metal brackets
- 4 repositionable, full width rollout trays

24" Deep Four Butt Door Utility with Four Rollout Trays

U242490-4T

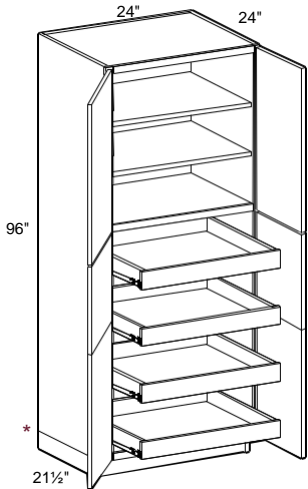


- One fixed shelf dividing upper and lower doors, 2 adjustable shelves
- Lower door is solid ONLY for door styles 301, 304, 306 and 406. Remaining door styles have 2 panels joined together with metal brackets
- 4 Repositionable, full width rollout trays

Tall Cabinets

24" Deep Four Butt Door Utility with Four Rollout Trays

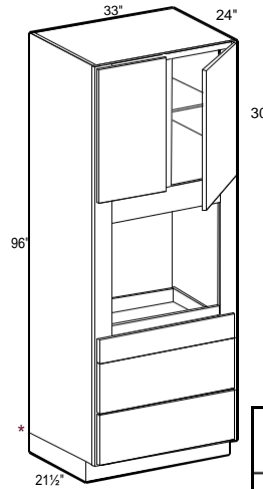
U242496-4T



- One fixed shelf dividing upper and lower doors, 2 adjustable shelves
- Lower door is solid ONLY for door styles 301, 304, 306 and 406. Remaining door styles have 2 panels joined together with metal brackets
- 4 Repositionable, full width rollout trays
- * Loose toe kick box for ease of installation

24" Deep Universal Oven

OC332496U

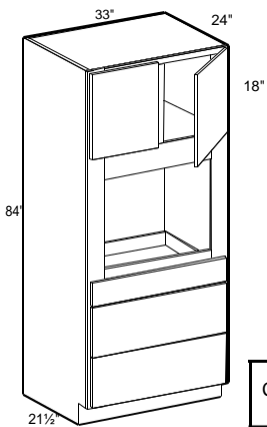


- Consult chart for oven cutout dimensions
- One adjustable shelf
- 3 field removable drawers
- 3" stiles in oven compartment
- * Loose toe kick box for ease of installation
- For frame openings refer to page 65

CABINET	MIN. CUTOUT WIDTH	MAX CUTOUT WIDTH	MIN. CUTOUT HEIGHT	MAX CUTOUT HEIGHT
OC332496U	27"	31"	22"	60"

24" Deep Universal Oven

OC332484U

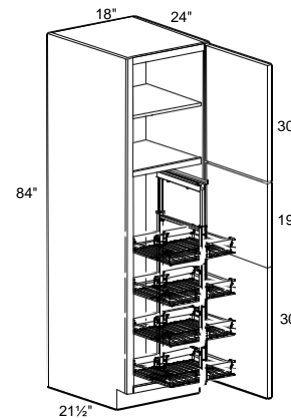


- Consult chart for oven cutout dimensions
- No adjustable shelf
- 3 field removable drawers
- 3" stiles in oven compartment
- For frame openings refer to page 65

CABINET	MIN. CUTOUT WIDTH	MAX CUTOUT WIDTH	MIN. CUTOUT HEIGHT	MAX CUTOUT HEIGHT
OC332484U	27"	31"	22"	60"

24" Deep Two Door Utility with Four Pull-out Chrome Trays

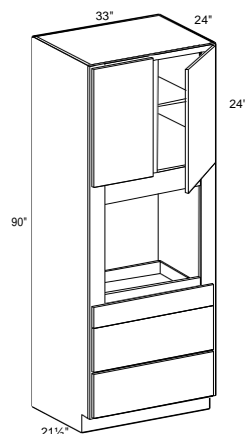
SPECIFY RIGHT or LEFT HINGED U182484-PO4WS



- **FIELD INSTALLED PULL-OUT UNIT**
- Pull-out unit includes 4 chrome baskets and optional door mounts
- Lower doors are 2 panels joined together with metal brackets
- Top and bottom glides are soft closing and 250 lb. weight rated
- One fixed shelf dividing upper and lower door
- One adjustable upper shelf
- Full extension, 250lb. rated slides with soft-close

24" Deep Universal Oven

OC332490U

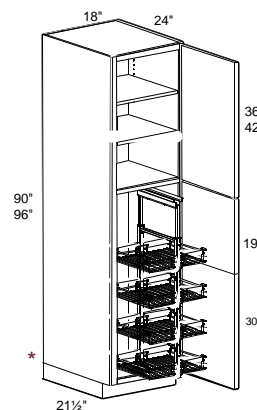


- Consult chart for oven cutout dimensions
- One adjustable shelf
- 3 field removable drawers
- 3" stiles in oven compartment
- For frame openings refer to page 65

CABINET	MIN. CUTOUT WIDTH	MAX CUTOUT WIDTH	MIN. CUTOUT HEIGHT	MAX CUTOUT HEIGHT
OC332490U	27"	31"	22"	60"

24" Deep Two Door Utility with Four Pull-out Chrome Trays

SPECIFY RIGHT or LEFT HINGED U182490-PO4WS U182496-PO4WS



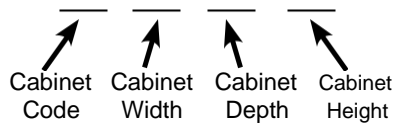
- * Loose toe kick box for ease of installation

- **FIELD INSTALLED PULL-OUT UNIT**
- Pull-out unit includes 4 chrome baskets and optional door mounts
- Lower doors are 2 panels joined together with metal brackets
- Top and bottom glides are soft closing and 250 lb. weight rated
- One fixed shelf dividing upper and lower door
- Two adjustable upper shelves
- Full extension, 250lb. rated slides with soft-close

Tall Cabinets with Glass Doors

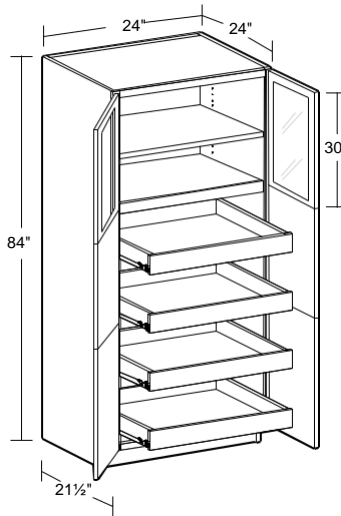
TALL CABINET CODING

U242484



- Standard Tall Cabinets are 24" deep
- Add door thickness for total cabinet depth
- Standard cabinet exterior is color matched to face frame. End panels that match the door finish are optional
- Matching End Panels or Cover Panels are recommended if the cabinet will be on the end of a run or exposed in any way.
- Frosted glass ships separate from cabinets
- Matching interiors are standard in prepped for glass (PFG) cabinets.
- Interior of prepped for glass (PFG) cabinets are color matched to face frame. See Pages 2-5 for details on cabinet box colors.
- All glass doors will come as a mitered shaker frame in a silver satin wrapped MDF
- Soft close hinges

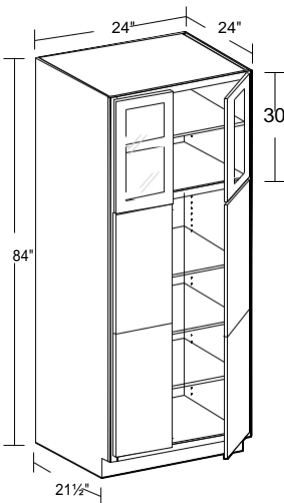
24" Deep Four Butt Door Utility with Four Rollout Trays



U242484PFG-4T

- Upper doors prepped for glass, matching cabinet interior throughout
- One fixed shelf dividing upper and lower doors
- Four repositionable, full width rollout trays
- One color matched adjustable shelf
- Lower door is solid ONLY for door styles 301, 304, 306 and 406. Remaining door styles have 2 panels joined together with metal brackets

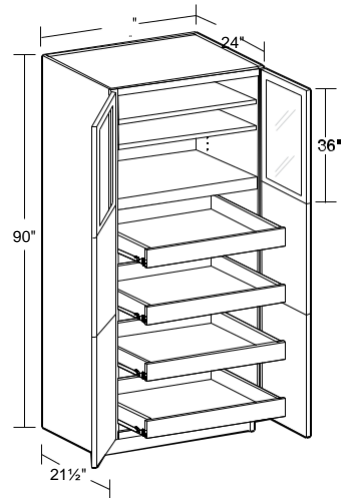
24" Deep Four Butt Door Utility



- Upper doors prepped for glass, matching cabinet interior throughout
- One fixed shelf dividing upper and lower doors, four color matched adjustable shelves
- Optional rollout trays or additional shelves available
- **CUSTOM DEPTH: 9" to 23" deep**
- Lower door is solid ONLY for door styles 301, 304, 306 and 406. Remaining door styles have 2 panels joined together with metal brackets

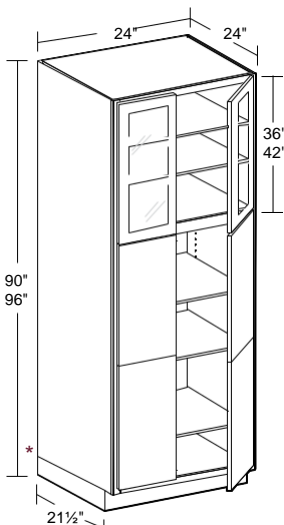
24" Deep Four Butt Door Utility with Four Rollout Trays

U242490PFG-4T



- Upper doors prepped for glass, matching cabinet interior throughout
- One fixed shelf dividing upper and lower doors
- Four repositionable, full width rollout trays
- Two adjustable shelves
- Lower door is solid ONLY for door styles 301, 304, 306 and 406. Remaining door styles have 2 panels joined together with metal brackets

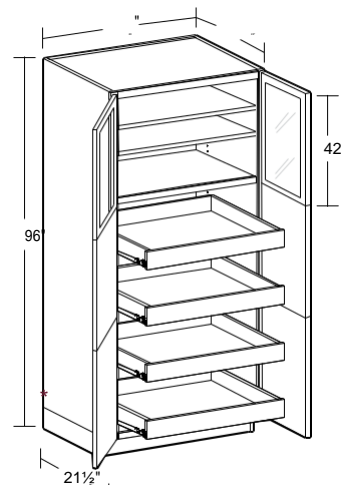
24" Deep Four Butt Door Utility



- Upper doors prepped for glass, matching cabinet interior throughout
- One fixed shelf dividing upper and lower doors, five color matched adjustable shelves
- Optional rollout trays or additional shelves available
- * On 96", loose toe kick box for ease of installation
- **CUSTOM DEPTH: 9" to 23"**
- Lower door is solid ONLY for door styles 301, 304, 306 and 406. Remaining door styles have 2 panels joined together with metal brackets

24" Deep Four Butt Door Utility with Four Rollout Trays

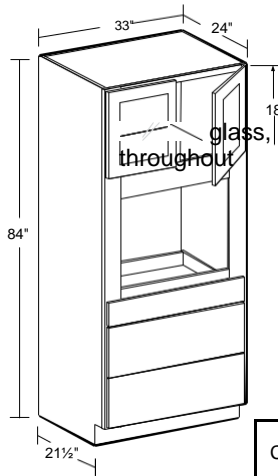
U242496PFG-4T



- Upper doors prepped for glass, matching cabinet interior throughout
- One fixed shelf dividing upper and lower doors
- Four repositionable, full width rollout trays
- Two adjustable shelves
- * Loose toe kick box for ease of installation
- Lower door is solid ONLY for door styles 301, 304, 306 and 406. Remaining door styles have 2 panels joined together with metal brackets

Tall Cabinets with Glass Doors

24" Deep Universal Oven

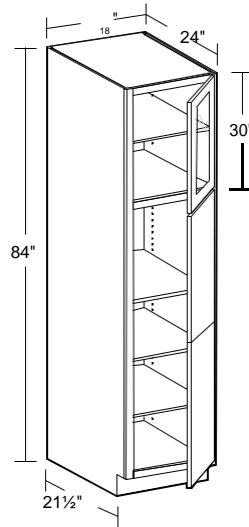


OC332484PFGU

- Consult chart for oven cutout dimensions
- No adjustable shelf
- 3 field removable drawers
- 3" stiles in oven compartment
- For frame openings refer to page 65

CABINET	MIN. CUTOUT WIDTH	MAX CUTOUT WIDTH	MIN. CUTOUT HEIGHT	MAX CUTOUT HEIGHT
OC332484U	27"	31"	22"	60"

24" Deep Two Door Utility

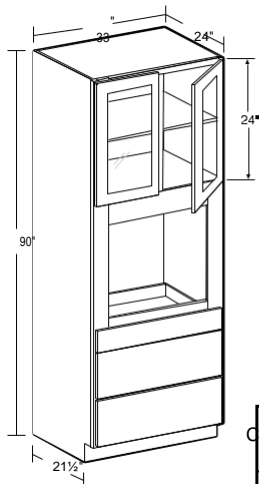


SPECIFY RIGHT or LEFT HINGED

U182484PFG

- Upper doors prepped for glass, matching cabinet interior throughout
- One fixed shelf dividing upper and lower doors, four adjustable color matched shelves
- Optional rollout trays or additional shelves available
- **CUSTOM DEPTH: 9" to 23" deep**
- Lower door is solid ONLY for door styles 301, 304, 306 and 406. Remaining door styles have 2 panels joined together with metal brackets

24" Deep Universal Oven

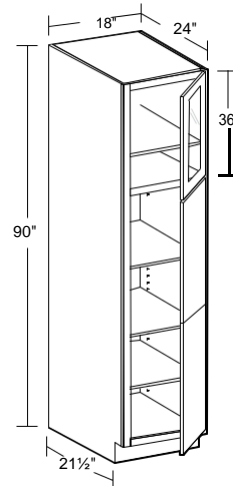


OC332490PFGU

- Upper doors prepped for glass, matching cabinet interior throughout
- Consult chart for oven cutout dimensions
- One color matched adjustable shelf
- 3 field removable drawers
- 3" stiles in oven compartment
- For frame openings refer to page 65

CABINET	MIN. CUTOUT WIDTH	MAX CUTOUT WIDTH	MIN. CUTOUT HEIGHT	MAX CUTOUT HEIGHT
OC332490U	27"	31"	22"	60"

24" Deep Two Door Utility

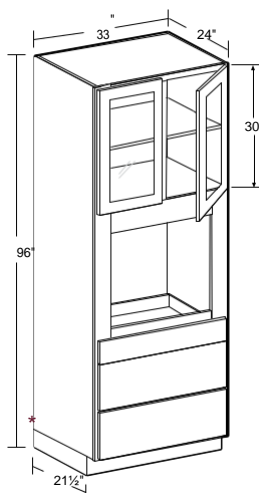


SPECIFY RIGHT or LEFT HINGED

U182490PFG

- Upper doors prepped for glass, matching cabinet interior throughout
- One fixed shelf dividing upper and lower doors, four adjustable color matched shelves
- Optional rollout trays or additional shelves available
- **CUSTOM DEPTH: 9" to 23" deep**
- Lower door is solid ONLY for door styles 301, 304, 306 and 406. Remaining door styles have 2 panels joined together with metal brackets

24" Deep Universal Oven

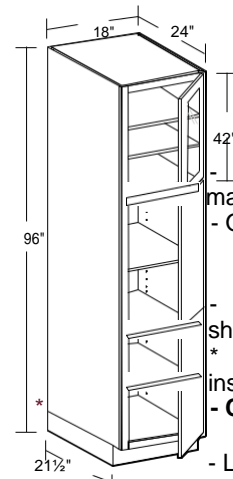


OC332496PFGU

- Upper doors prepped for glass, matching cabinet interior throughout
- Consult chart for oven cutout dimensions
- One color matched adjustable shelf
- 3 field removable drawers
- 3" stiles in oven compartment
- * Loose toe kick box for ease of installation
- For frame openings refer to p.65

CABINET	MIN. CUTOUT WIDTH	MAX CUTOUT WIDTH	MIN. CUTOUT HEIGHT	MAX CUTOUT HEIGHT
OC332496U	27"	31"	22"	60"

24" Deep Two Door Utility



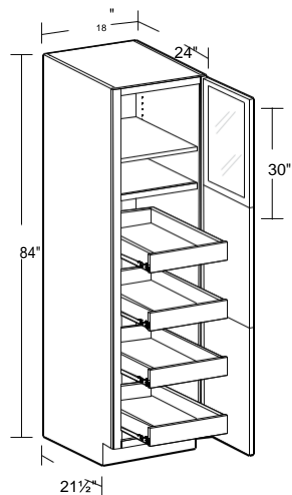
SPECIFY RIGHT or LEFT HINGED

U182496PFG

- Upper doors prepped for glass, matching cabinet interior throughout
- One fixed shelf dividing upper and lower doors, five color matched adjustable shelves
- Optional rollout trays or additional shelves available
- * Loose toe kick box for ease of installation
- **CUSTOM DEPTH: 9" to 23" deep**
- Lower door is solid ONLY for door styles 301, 304, 306 and 406. Remaining door styles have 2 panels joined together with metal brackets

Tall Cabinets with Glass Doors

24" Deep Two Door Utility with Four Rollout Trays

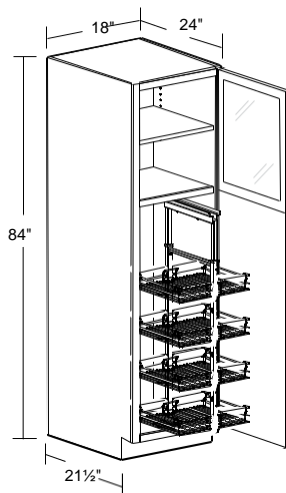


**SPECIFY
RIGHT or LEFT HINGED**

U182484PFG-4T

- Top door is glass
- One fixed shelf dividing upper and lower doors
- Four repositionable, full width rollout trays
- One color matched adjustable shelf
- Lower door is solid ONLY for door styles 301, 304, 306 and 406. Remaining door styles have 2 panels joined together with metal brackets

24" Deep Two Door Utility with Four Pull-out Chrome Trays

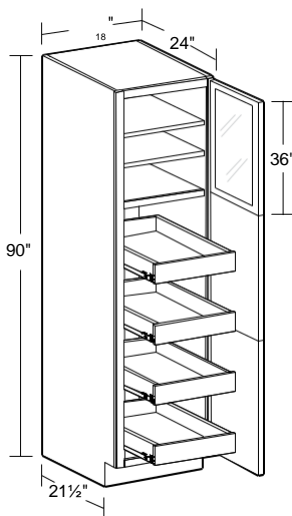


**SPECIFY
RIGHT or LEFT HINGED**

U182484PFG-PO4WS

- Top door is glass
- **FIELD INSTALLED PULL-OUT UNIT**
- Pull-out unit includes 4 chrome baskets and optional door mounts
- Top and bottom glides are soft closing and 250 lb. weight rated
- One fixed shelf dividing upper and lower door
- One color matched adjustable shelf
- Full extension, 250lb. rated slides with soft-close
- Lower door is solid ONLY for door styles 301, 304, 306 and 406. Remaining door styles have 2 panels joined together with metal brackets

24" Deep Two Door Utility with Four Rollout Trays

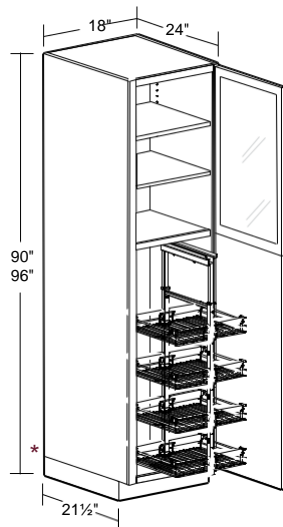


**SPECIFY
RIGHT or LEFT HINGED**

U182490PFG-4T

- Top door is glass
- One fixed shelf dividing upper and lower doors
- Four repositionable, full width rollout trays
- Two color matched adjustable shelves
- Lower door is solid ONLY for door styles 301, 304, 306 and 406. Remaining door styles have 2 panels joined together with metal brackets

24" Deep Two Door Utility with Four Pull-out Chrome Trays

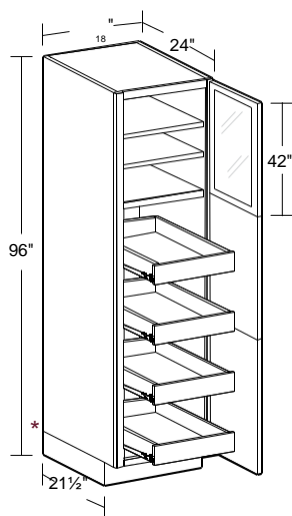


**SPECIFY
RIGHT or LEFT HINGED**

U182490PFG-PO4WS U182496PFG-PO4WS

- Top door is glass
- * Loose toe kick box for ease of installation
- **FIELD INSTALLED PULL-OUT UNIT**
- Pull-out unit includes 4 chrome baskets and optional door mounts
- Top and bottom glides are soft closing and 250 lb. weight rated
- One fixed shelf dividing upper and lower door
- Two color matched adjustable upper shelves
- Full extension, 250lb. rated slides with soft-close
- Lower door is solid ONLY for door styles 301, 304, 306 and 406. Remaining door styles have 2 panels joined together with metal brackets

24" Deep Two Door Utility with Four Rollout Trays



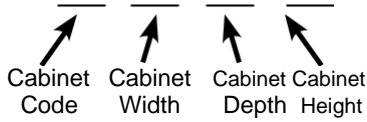
**SPECIFY
RIGHT or LEFT HINGED**

U182496PFG-4T

- Top door is glass
- One fixed shelf dividing upper and lower doors
- Four repositionable, full width rollout trays in solid birch
- Two color matched adjustable shelves
- * Loose toe kick box for ease of installation
- Lower door is solid ONLY for door styles 301, 304, 306 and 406. Remaining door styles have 2 panels joined together with metal brackets

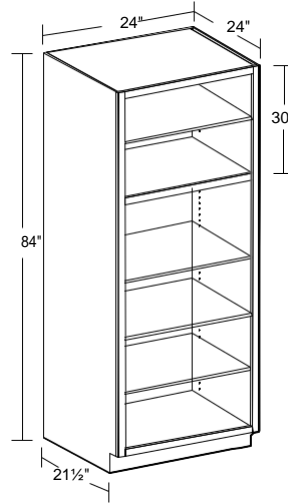
TALL CABINET CODING

U242484



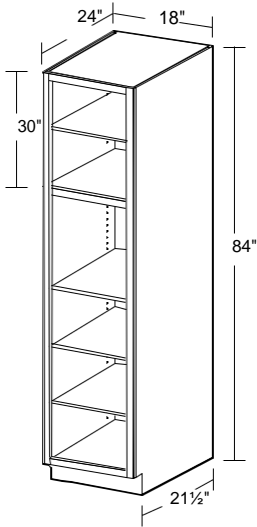
- Standard Tall Cabinets are 24" deep
- Interior of No Door cabinets are color matched to face frame. See Pages 2-5 for details on cabinet box colors.
- Standard cabinet exterior is color matched to face frame. End panels that match the door finish are optional
- Matching End Panels or Cover Panels are recommended if the cabinet will be on the end of a run or exposed in any way.

24" Deep Utility with no Doors



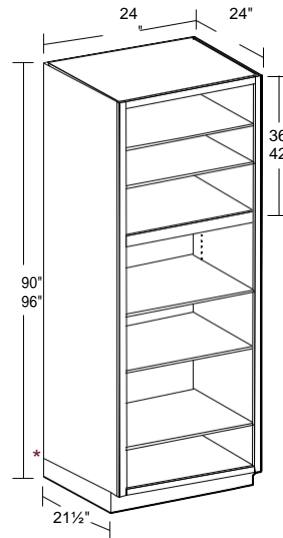
- One fixed shelf dividing upper and lower sections, four color matched adjustable shelves
- **CUSTOM DEPTH: 9" to 23" deep**

24" Deep Utility with no Doors



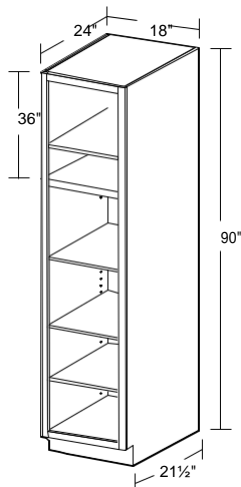
- One fixed shelf dividing upper and lower sections, four color matched adjustable shelves
- **CUSTOM DEPTH: 9" to 23" deep**

24" Deep Utility with no Doors



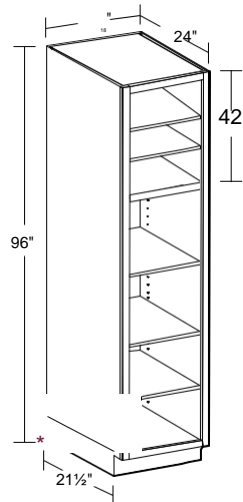
- One fixed shelf dividing upper and lower sections, five color matched adjustable shelves
- * On 96", loose toe kick box for ease of installation
- **CUSTOM DEPTH: 9" to 23" deep**

24" Deep Utility with no Doors



- One fixed shelf dividing upper and lower sections, four color matched adjustable shelves
- **CUSTOM DEPTH: 9" to 23" deep**

24" Deep Utility with no Doors



- One fixed shelf dividing upper and lower sections, five color matched adjustable shelves
- * Loose toe kick box for ease of installation
- **CUSTOM DEPTH: 9" to 23" deep**

Tall Cabinets Design Tips

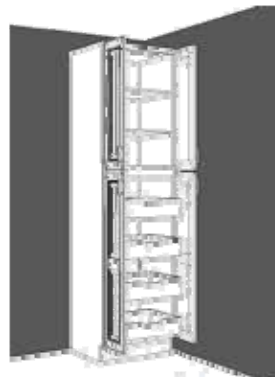
Customizing the Depth of a Tall Cabinet



Customize the depth of a 24" wide Utility cabinet with no doors (U242484ND, U242490ND, or U242496ND) down to 12" and use it facing out next to a refrigerator or another utility cabinet for open storage and an interesting transition in the kitchen.

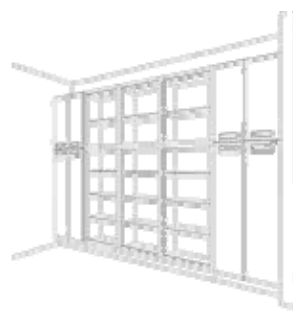
Please Note: ND cabinets are finished to match the face frame and not the Metro doors.

Clearance for Roll Out Trays



Make sure to leave enough clearance for door to open at least 90degrees when placing next to wall or refrigerator cabinet.

Customizing the Depth of a Tall Cabinet



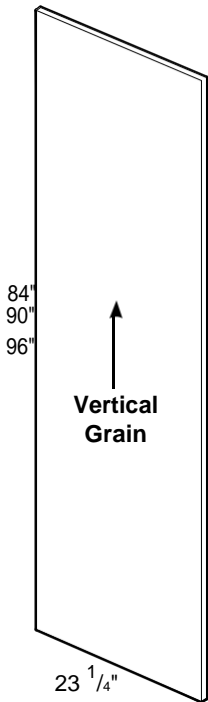
A narrow alcove in your kitchen or a pantry like storage area can be transformed into an entire wall of open and closed storage by using a combination of ND and Standard Utility cabinets with a reduced depth.

Please Note: ND cabinets are finished to match the face frame and not the Metro doors.

Tall Skins and Panels

Tall Skin

TSK96



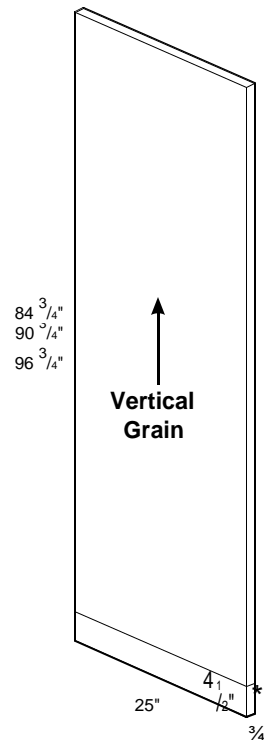
- 1/8" thick plywood finished with vinyl laminate color matched to cabinetry face frame
- Field modified and installed
- Can be modified for shallower depth and shorter tall cabinets

25" Wide Tall Cover Panels

CPVT258475

CPVT259075

CPVT259675



- 3/4" thick
- Durable 2 sided melamine fused to Furniture Grade particleboard or MDF
- Cover Panels designed to match the finish of the doors
- Edge banded on all 4 sides
- Field installed
- Panel designed for Left or Right application and to align with front of door face to create inset door appearance

NOTE: Must be field modified if using with reduced depth cabinets

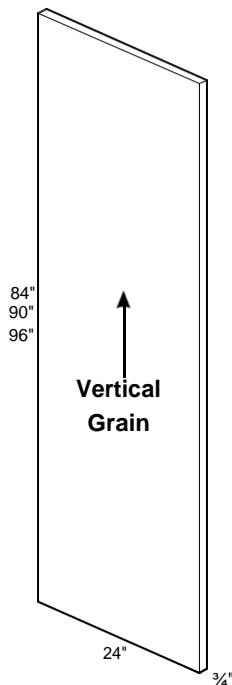
***NOTE: The 96 3/4" Tall (CPVT259675) Cover Panel is 2 pieces, seamed at the 4 1/2" Toe Kick height**

24" Wide Tall End Panels

TEP2484

TEP2490

TEP2496

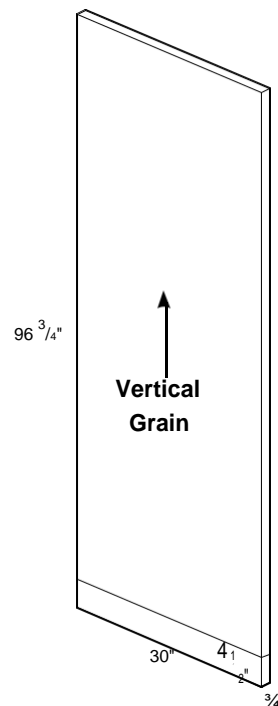


- 3/4" Thick
- Durable 2 sided melamine finish fused to Furniture Grade particleboard or MDF
- Tall End Panels designed to match the finish of the doors'
- Edge banded on all 4 sides
- Field installed
- Panel designed for Left or Right application and to align with front of cabinet face frame

NOTE: Must be field modified if using with reduced depth cabinets

30" Wide Universal Panel

CPVT309675



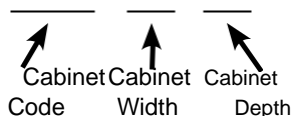
- 3/4" Thick
- Durable 2 sided melamine finish fused to Furniture Grade particleboard or MDF
- Universal Panel designed to match the finish of the doors
- Edge banded on all 4 sides
- Field installed
- Can be used as a Refrigerator Panel

NOTE: This Panel is 2 pieces, seamed at the 4 1/2" Toe Kick height

Vanity Base Cabinets

VANITY CABINET CODING

VSB 30 21

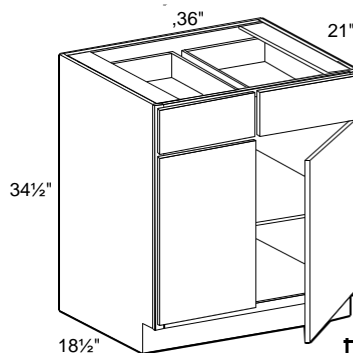


- Standard Vanity Base Cabinets are 21" deep and 34½" high
- Cabinet depth does not include door thickness
- **Custom Depths are available where indicated. Use Standard Base Cabinet coding to order as specified.**
- Standard cabinet exterior is color matched to face frame. End panels that match the door finish are optional
- Soft close hinges
- Matching End Panels or Cover Panels are recommended if the cabinet will be on the end of a run or exposed in any way.

21" Deep Double Door Vanity Base

STANDARD

VB3321
VB3621



FOR CUSTOM DEPTHS

- One full depth adjustable shelf
- Two standard drawers

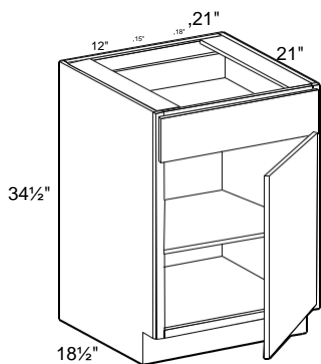
- Order **B33** or **B36**
- Select 9" to 23" depth
- 9" to 14" deep have false fronts & no drawer

21" Deep Single Door Vanity Base

SPECIFY
RIGHT or LEFT HINGED

STANDARD
21" DEPTHS

VB1221
VB1521
VB1821
VB2121



FOR CUSTOM DEPTHS

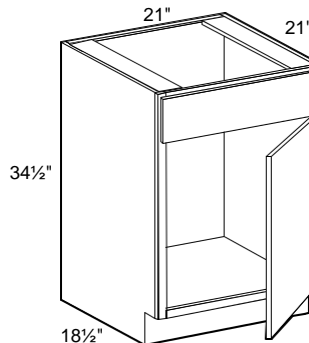
- One full depth adjustable shelf
- One standard drawer

- Order **B12**, **B15**, **B18** or **B21**
- Select 9" to 23" depth
- 9" to 14" deep have false fronts & no drawer

21" Deep Single Door Vanity Sink Base

SPECIFY
RIGHT or LEFT HINGED

VSB2121

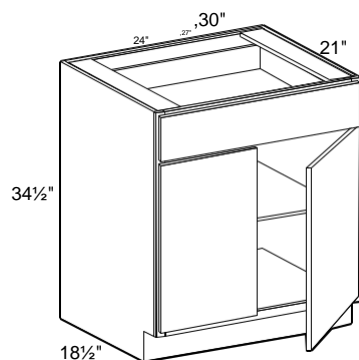


- Maximum sink cutout 19" wide
- No shelf
- False drawer front

21" Deep Double Door Vanity Base

STANDARD
21" DEPTHS

VB2421
VB2721
VB3021



FOR CUSTOM DEPTHS

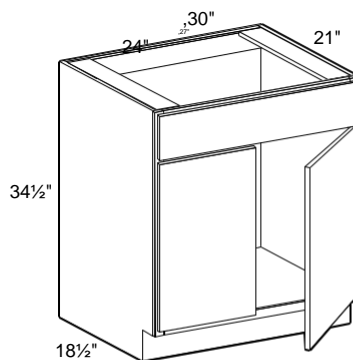
- One full depth adjustable shelf
- One standard drawer

- Order **B24**, **B27** or **B30**
- Select 9" to 23" depth
- 9" to 14" deep have false fronts & no drawer

21" Deep Double Door Vanity Sink Base

STANDARD
21" DEPTHS

VSB2421
VSB2721
VSB3021



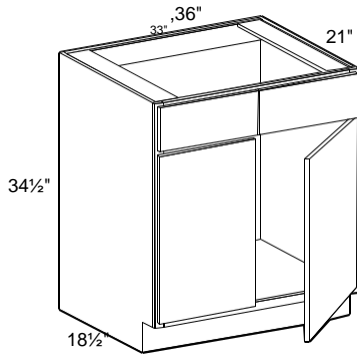
FOR CUSTOM DEPTHS

- No shelf
- False drawer front

- Order **SB24**, **SB27** or **SB30**
- Select 9" to 23" depth

Vanity Base Cabinets

21" Deep Double Door Vanity Sink Base



**STANDARD
21" DEPTHS**

**VSB3321
VSB3621**

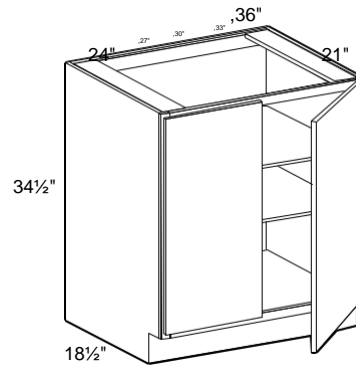


**CUSTOM
DEPTH**
FOR CUSTOM DEPTHS

- Order **SB33** or **SB36**
- Select 9" to 23" depth

- No shelf, two false drawer fronts

21" Deep Double Full Height Door Vanity Base



**STANDARD
21" DEPTHS**

**VB2421FH
VB2721FH
VB3021FH
VB3321FH
VB3621FH**

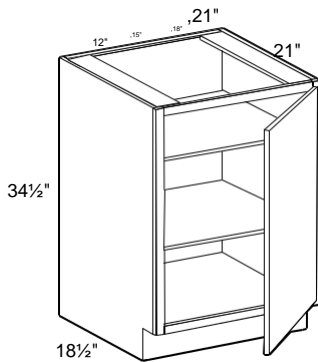


**CUSTOM
DEPTH**
FOR CUSTOM DEPTHS

- Order **B24FH**, **B27FH**, **B30FH** or **B36FH**
- Select 9" to 23" depth

- Two adjustable shelves

21" Deep Single Full Height Door Vanity Base



**SPECIFY
RIGHT or LEFT HINGED**

**STANDARD
21" DEPTHS**

**VB1221FH
VB1521FH
VB1821FH
VB2121FH**

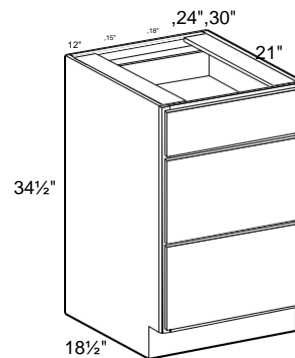


**CUSTOM
DEPTH**
FOR CUSTOM DEPTHS

- Order **B12FH**, **B15FH**, **B18FH** or **B21FH**
- Select 9" to 23" depth

- Two adjustable shelves

21" Deep Vanity Base Drawer



**STANDARD
21" DEPTHS**

**VBD1221
VBD1521
VBD1821
VBD2421
VBD3021**



**CUSTOM
DEPTH**
FOR CUSTOM DEPTHS

- One standard drawer
- Two deep drawers

- Order **BD12**, **BD15**, **BD18**, **BD24** or **BD30**
- Select 15" to 23" depth

Designing with Vanity Base Cabinets for a Cost Savings

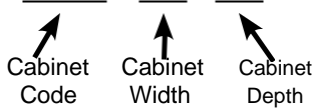


If you need to gain up to 3" of depth, use Vanity base cabinets in your kitchen or laundry room instead of customizing the depth of a standard base for a cost savings!

Vanity Base Cabinets with No Doors

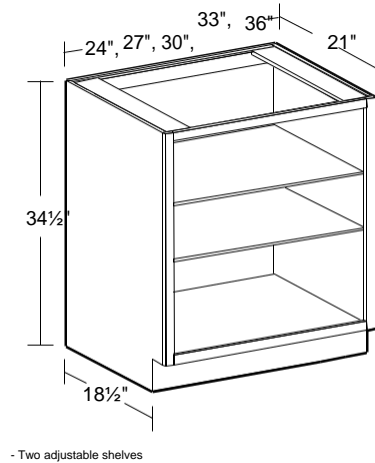
VANITY CABINET CODING

VS **30** **21**



- Standard Vanity Base Cabinets are 21" deep and 34½" high
- **Custom Depths are available where indicated. Use Standard Base Cabinet coding to order as specified.**
- Interior of No Door cabinets are color matched to face frame. See Pages 2-5 for details on cabinet box colors.
- Standard cabinet exterior is color matched to face frame. End panels that match the door finish are optional
- Matching End Panels or Cover Panels are recommended if the cabinet will be on the end of a run or exposed in any way.

21" Deep Vanity Base with no Doors



**STANDARD
21" DEPTHS**

**VB2421ND
VB2721ND
VB3021ND
VB3321ND
VB3621ND**

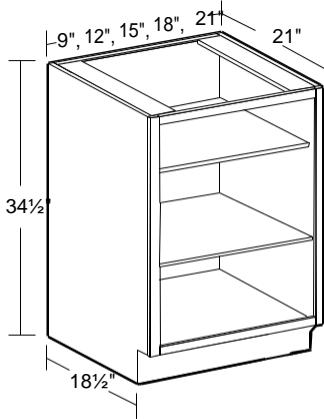


**CUSTOM
DEPTH**

FOR CUSTOM DEPTHS

- Order **B24ND, B27ND, B30ND, B33ND, or B36ND**
- Select 9" to 23" Depth

21" Deep Vanity Base with no Doors



**STANDARD
21" DEPTHS**

**VB1221ND
VB1521ND
VB1821ND
VB2121ND**



**CUSTOM
DEPTH**

FOR CUSTOM DEPTHS

- Order **B12ND, B15ND, B18ND, or B21ND**
- Select 9" to 23" Depth

- Two color matched adjustable shelves

Using ND Vanity Base Cabinets

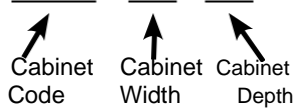


Use an ND cabinet as narrow as VB1521ND in your bathroom to store rolled towels or wash cloths.

Please Note: ND cabinets are finished to match the face frame and not the Metro doors

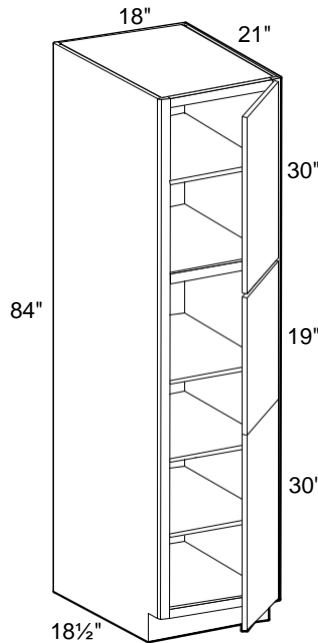
VANITY CABINET CODING

VLC 21 84



- Standard Vanity Linen Cabinets are 21" deep and 34½" high
- Cabinet depth does not include door thickness
- Custom Depths are available where indicated. Use Standard Tall Cabinet coding to order as specified.**
- Standard cabinet exterior is color matched to face frame. End panels that match the door finish are optional
- Matching End Panels or Cover Panels are recommended if the cabinet will be on the end of a run or exposed in any way.
- Soft close hinges

21" Deep Two Door Linen



**SPECIFY
RIGHT or LEFT HINGED**
**21" DEPTH
VLC182184**

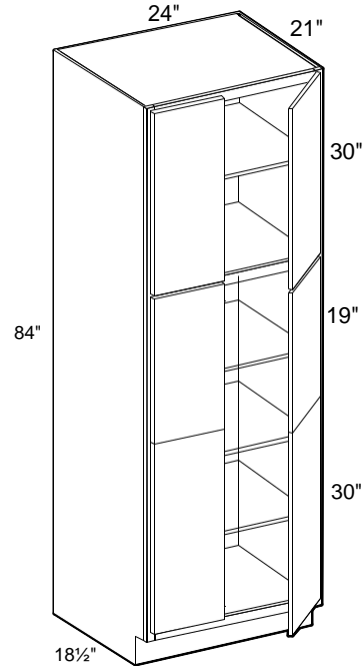
- One fixed shelf dividing upper and lower doors, four adjustable shelves
- Lower door is solid **ONLY** for door styles 301, 304, 306 and 406. Remaining door styles have 2 panels joined together with metal brackets

CUSTOM DEPTH
FOR CUSTOM DEPTHS

- Order **U182484**
- Select 9" to 23" depth

21" Deep Four Door Linen

**21" DEPTH
VLC242184**



- One fixed shelf dividing upper and lower doors, four adjustable shelves
- Lower door is solid **ONLY** for door styles 301, 304, 306 and 406. Remaining door styles have 2 panels joined together with metal brackets

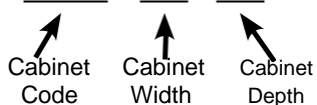
CUSTOM DEPTH
FOR CUSTOM DEPTHS

- Order **U182484**
- Select 9" to 23" depth

Vanity Linen Cabinets with Glass Doors

VANITY CABINET CODING

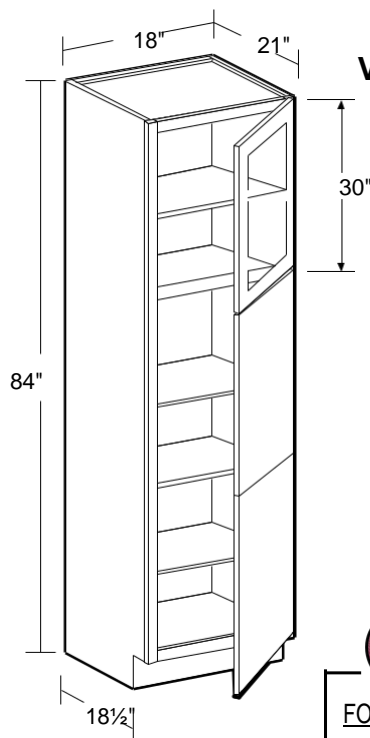
VLC 21 84



- Standard Vanity Linen Cabinets are 21" deep and 84", 90" or 96" high
- Cabinet depth does not include door thickness
- Custom Depths are available where indicated. Use Standard Tall Cabinet coding to order as specified.**
- Standard cabinet exterior is color matched to face frame. End panels that match the door finish are optional
- Frosted glass ships separate from cabinets
- Matching interiors are standard in prepped for glass (PFG) cabinets.
- Interior of prepped for glass (PFG) cabinets are color matched to face frame. See Pages 2-5 for details on cabinet box colors.
- All glass doors will come as a mitered shaker frame in a silver satin wrapped MDF
- Soft close hinges
- Matching End Panels or Cover Panels are recommended if the cabinet will be on the end of a run or exposed in any way.

21" Deep Two Door Linen

SPECIFY
RIGHT or LEFT HINGED
STANDARD
21" DEPTH
VLC182184PFG



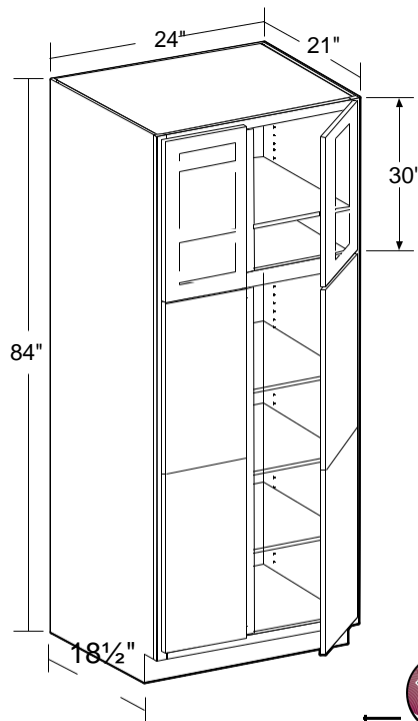
FOR CUSTOM DEPTHS

- Order **U182484**
- Select 9" to 23" depth

- One fixed shelf dividing upper and lower doors, four adjustable shelves

21" Deep Four Door Linen

STANDARD
21" DEPTH
VLC242184PFG



FOR CUSTOM DEPTHS

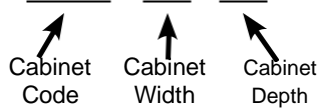
- Order **U242484**
- Select 9" to 23" depth

- One fixed shelf dividing upper and lower doors, four color matched adjustable shelves

Vanity Linen Cabinets with No Doors

VANITY CABINET CODING

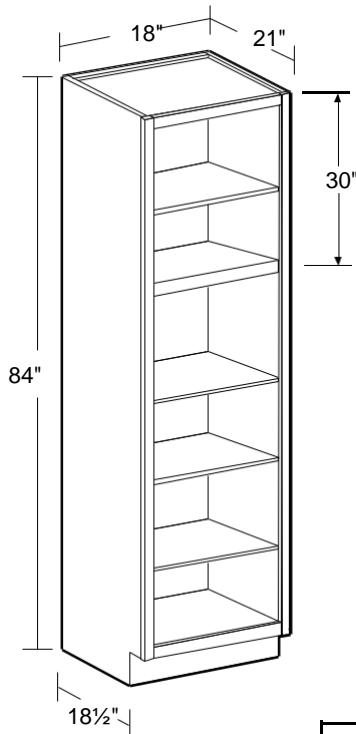
VLC 21 84



- Custom Depths are available where indicated. Use Standard Tall Cabinet coding to order as specified.
- Interior of No Door cabinets are color matched to face frame. See Pages 2-5 for details on cabinet box colors.
- Standard cabinet exterior is color matched to face frame. End panels that match the door finish are optional
- Matching End Panels or Cover Panels are recommended if the cabinet will be on the end of a run or exposed in any way.

21" Deep Vanity Linen Cabinet with no Doors

**STANDARD
21" DEPTH
VLC182184ND**



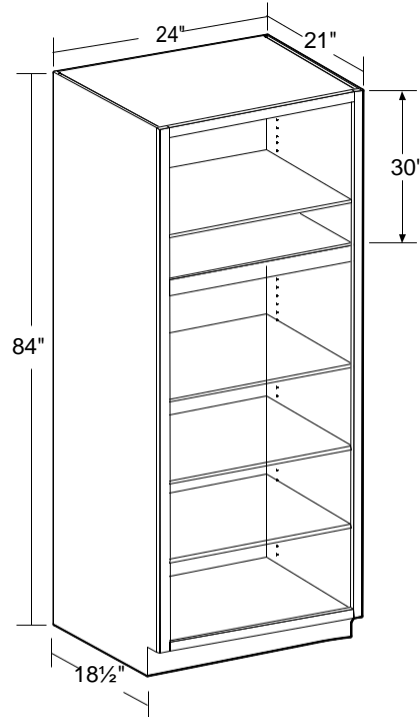
CUSTOM DEPTH

- FOR CUSTOM DEPTHS
- Order **U182484ND**
 - Select 9" to 23" depth

- One fixed shelf dividing upper and lower section, four color matched adjustable shelves

21" Deep Four Door Linen

**STANDARD
21" DEPTH
VLC242184ND**



CUSTOM DEPTH

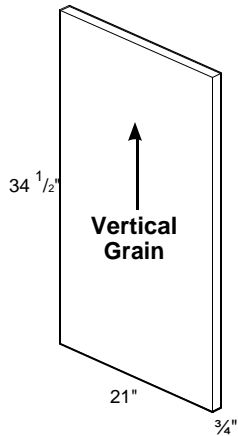
- FOR CUSTOM DEPTHS
- Order **U242484ND**
 - Select 9" to 23" depth

- One fixed shelf dividing upper and lower doors, four color matched adjustable shelves

Vanity Skins and Panels

21" Wide Vanity Matching End Panels

VBEP21345

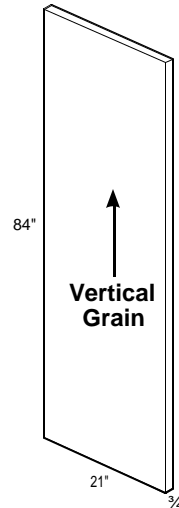


- 3/4" thick
- Durable 2 sided melamine fused to Furniture Grade particleboard or MDF
- Matching End Panels designed to match the finish of the doors
- Edgebanded on all 4 sides
- Field installed over factory installed skin
- Panel designed for Left or Right application and to align with front of cabinet face frame

NOTE: Must be field modified if using with reduced depth cabinets

21" Wide Linen Tall Matching End Panels

VTEP2184

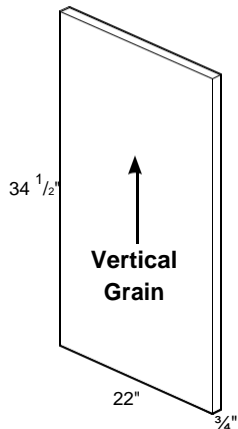


- 3/4" thick
- Durable 2 sided melamine fused to Furniture Grade particleboard
- Matching End Panels designed to match the finish of the doors
- Edgebanded on all 4 sides
- Field installed over factory installed skin
- Panel designed for Left or Right application and to align with front of cabinet face frame or MDF

NOTE: Must be field modified if using with reduced depth cabinets

22" Wide Vanity Matching Cover Panels

CPVVB22345

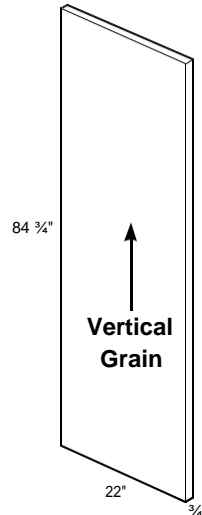


- 3/4" thick
- Durable 2 sided melamine fused to Furniture Grade particleboard or MDF
- Cover Panels designed to match the finish of the doors
- Edgebanded on all 4 sides
- Field installed
- Panel designed for Left or Right application and to align with front of door face to create inset door appearance

NOTE: Must be field modified if using with reduced depth cabinets

22" Wide Linen Tall Cover Panels

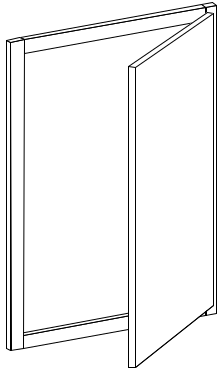
CPVVT228475



- 3/4" thick
- Durable 2 sided melamine fused to Furniture Grade particleboard or MDF
- Cover Panels designed to match the finish of the doors
- Edgebanded on all 4 sides
- Field installed
- Panel designed for Left or Right application and to align with front of door face to create inset door appearance

NOTE: Must be field modified if using with reduced depth cabinets

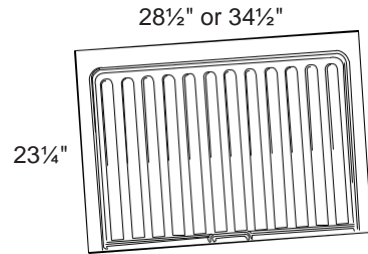
Cabinet Fronts Only (CFO)



Most Wall cabinets can be ordered as "Cabinet Fronts Only". Face frame, doors, hinges and bumpers will be supplied and shipped loose.

Please consult CFO availability guide on page 68.

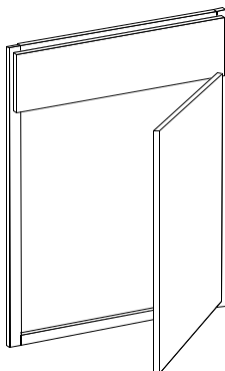
Sink Base Liner



SBL2730
SBL3336

- Helps protect sink cabinet from damage due to leaks in piping or drains
- Sleek surface for easy cleanup
- SBL2730 can be trimmed to fit SB27 or SB30
- SBL3336 can be trimmed to fit SB33 or SB36
- Field installed
- Grey polystyrene easy to clean surface
- Not for use in custom-depth cabinets

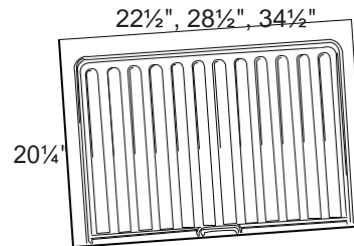
Cabinet Fronts Only (CFO)



Most Base cabinets can be ordered as "Cabinet Fronts Only". Face frame, doors, drawer fronts, hinges, and bumpers will be supplied and shipped loose. In addition, plastic corner blocks will be supplied for false front installation requirements.

Please consult CFO availability guide on page 68.

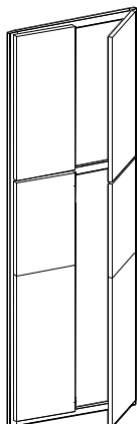
21" Deep Vanity Sink Base Liner



VSBL2124
VSBL2730
VSBL3336

- Helps protect sink cabinet from damage due to leaks in piping or drains
- Field installed
- Grey polystyrene easy to clean surface
- Not for use in custom-depth cabinets
- VSBL2124 can be trimmed to fit VSB2121 or VSB2421
- VSBL2730 can be trimmed to fit VSB2721 or VSB3021
- VSBL3336 can be trimmed to fit VSB3321 or VSB3621

Cabinet Fronts Only (CFO)

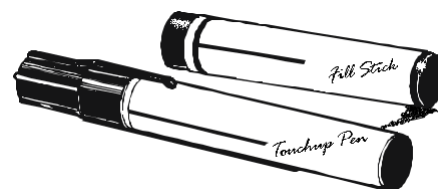


Most Tall cabinets can be ordered as "Cabinet Fronts Only". Face frame, doors, hinges and bumpers will be supplied and shipped loose.

Please consult CFO availability guide on page 68.

Touch-Up Kit

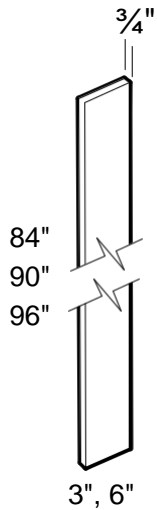
TUK



- Includes fill stick, touch-up pen, and 4 door bumpers

Accessories

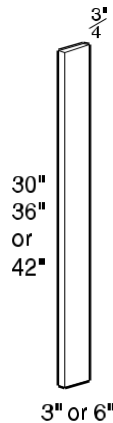
Tall Filler Strips



FS84
FS90
FS96
FS696

- 3/4" Thick
- Durable 2 side melamine finish fused to Furniture Grade particleboard or MDF
- Edgebanded on 2 long sides
- Available in all melamine door finishes

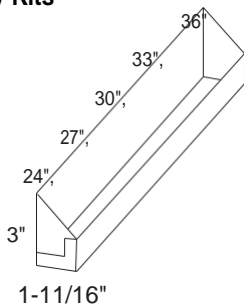
Filler Strip



FS30 FS630
FS36 FS636
FS42 FS642

- 3/4" Thick
- Durable 2 sided melamine finish fused to Furniture Grade particleboard or MDF
- Edgebanded on 2 long sides
- Available in all melamine door finishes

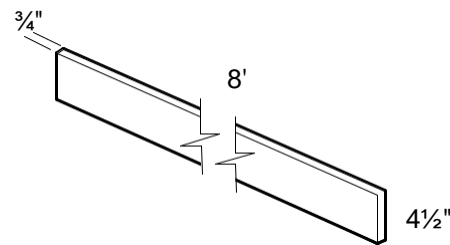
Tilt-out Tray Kits



SBTOTK24
SBTOTK27
SBTOTK30
SBTOTK33*
SBTOTK36*

- Kit attaches to sink base false drawer front to create tilt-out drawer
- Holds sponges, scouring pads, dish soaps, etc.
- Stainless steel construction
- Field installed prior to countertop
- * Two trays included to fit double false fronts

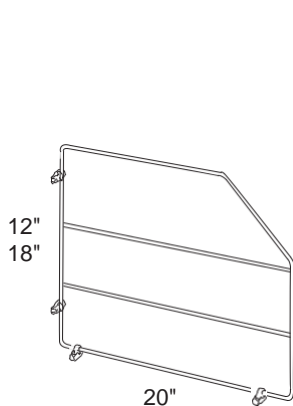
8' Matching Toe Kick – Matches Door Finish



TKFS8

- Durable 2 sided melamine fused to Furniture Grade particleboard or MDF
- Face and two long edges are edgebanded
- Available in all melamine door finishes
- Field modified and installed
- TKFS8 designed to match finish of the doors

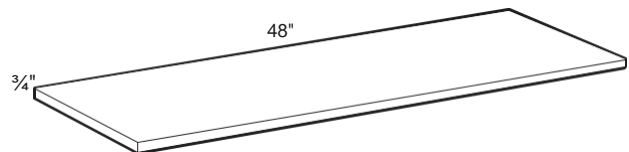
Tray Dividers



TD12CR
TD18CR

- Available in 12" & 18" heights
- Chrome finish
- Stores baking sheets, serving dishes, etc.
- Comes with 4 clips & fasteners
- Attaches to cabinet middle or bottom shelf
- Field installed
- Not for use in custom-depth cabinets

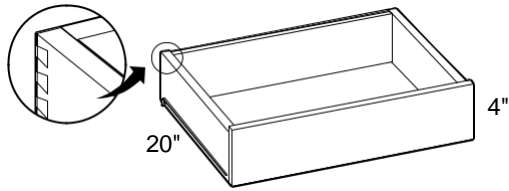
48" Wide Shelf



S4815

- 3/4" Thick, durable 2 sided melamine finish fused to Furniture Grade particleboard or MDF
- Edgebanded on all 4 sides
- Available in all melamine door finishes

Rollout Tray Kits



**ROT12 ROT18 ROT24 ROT30 ROT36
ROT15 ROT21 ROT27 ROT33**

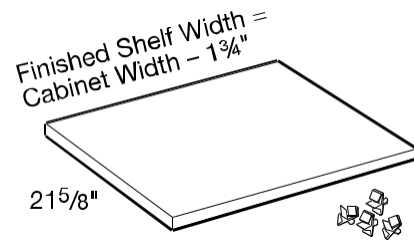
NOTE: Roll out trays not available for Vanity Linen Cabinets or reduced depth cabinets.

NOTE: The roll out trays are natural birch in color and will not be color matched if added to a PFG or No door cabinet with matching interior.

- 5/8" Solid wood dovetail construction
- Consult availability guide
- Includes ¾ extension epoxy coated smooth-glide edge mounted runners
- 75 lb. load capacity
- Available for use base and tall cabinets
- Field-install into factory pre-drilled locations only
- Not for use in custom-depth cabinets or Open Shelf Cabinets

ROLL-OUT TRAY KIT AVAILABILITY GUIDE		
PART#	DESIGNED TO FIT	ACTUAL WIDTH
ROT12	B12, B12FH	8"
ROT15	B15, B15FH	11"
ROT18	B18, B18FH, U182484 / 90 / 96	14"
ROT21	B21, B21FH	17"
ROT24	B24, B24FH, SB24, U242484 / 90 / 96	20"
ROT27	B27, B27FH, SB27	23"
ROT30	B30, B30FH, SB30	26"
ROT33	B33, B33FH, SB33	29"
ROT36	B36, B36FH, SB36	32"

Base Cabinet Shelf Kits



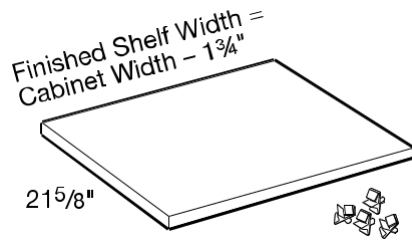
**SK1224 SK2124 SK2724 SK3324
SK1524 SK2424 SK3024 SK3624
SK1824**

- Shelf kits are 3/4" thick plywood finished with vinyl laminate color matched to cabinetry face frame
- Edgebanded on front edge
- One shelf and set of clips per kit
- Consult availability guide

SHELF KIT AVAILABILITY GUIDE		
PART#	DESIGNED TO FIT	ACTUAL WIDTH
SK1224	B12, B12FH	10¼"
SK1524	B15, B15FH	13¼"
SK1824	B18, B18FH, U182484/96	16¼"
SK2124	B21, B21FH	19¼"
SK2424	B24, B24FH, SB24, U242484 / 90 / 96	22¼"
SK2724	B27, B27FH, SB27	25¼"
SK3024	B30, B30FH, SB30, BBCU39	28¼"
SK3324	B33, B33FH, SB33, OC332484U / 90U / 96U	31¼"
SK3624	B36, B36FH, SB36, BBCU42	34¼"

Accessories

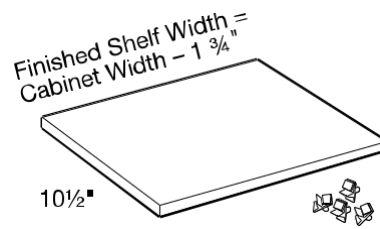
Matching Interior Base Cabinet Shelf Kits



SK1224MI SK2124MI SK3024MI
SK1524MI SK2424MI SK3324MI
SK1824MI SK2724MI SK3624MI

- Shelf kits are 3/4" thick plywood finished with vinyl laminate color matched to cabinetry face frame
- Edgebanded on front edge
- One shelf and set of clips per kit
- Consult availability guide

Wall Cabinet Shelf Kits

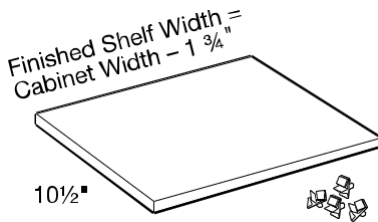


SK1212 SK2112 SK3012
SK1512 SK2412 SK3312
SK1812 SK2712 SK3612

- Shelf kits are 3/4" thick plywood finished with vinyl laminate color matched to cabinetry face frame
- Edgebanded on front edge
- One shelf and set of clips per kit

EXAMPLE: 36" wide wall cabinet uses SK3612

Matching Interior Wall Cabinet Shelf Kits



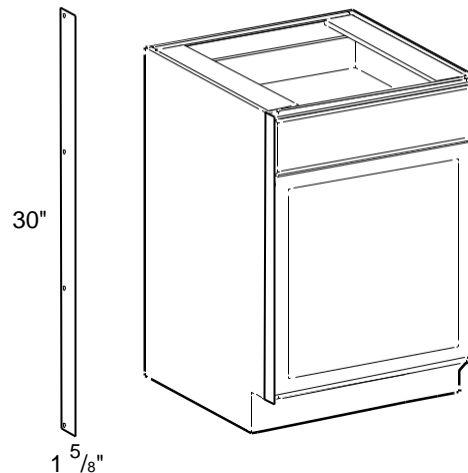
SK1212MI SK2112MI SK3012MI
SK1512MI SK2412MI SK3312MI
SK1812MI SK2712MI SK3612MI

- Shelf kits are 3/4" thick plywood finished with vinyl laminate color matched to cabinetry face frame
- Edgebanded on front edge
- One shelf and set of clips per kit

EXAMPLE: 36" wide wall cabinet uses SK3612

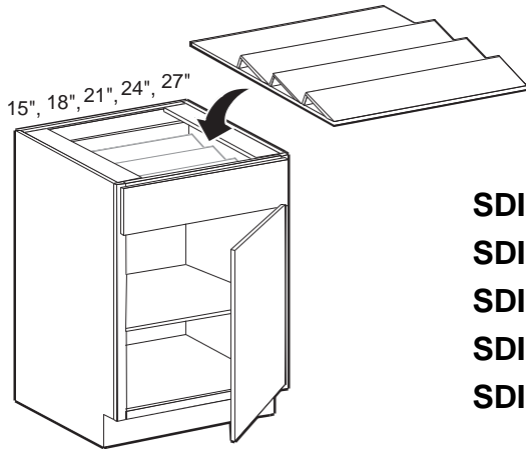
Heat Shield

HEAT_SHIELD_WHITE
HEAT_SHIELD_BLACK
HEAT_SHIELD_ALMOND



- Helps protect cabinet doors adjacent to ovens
- Attaches to the cabinet face frame
- Available in White, Almond or Black

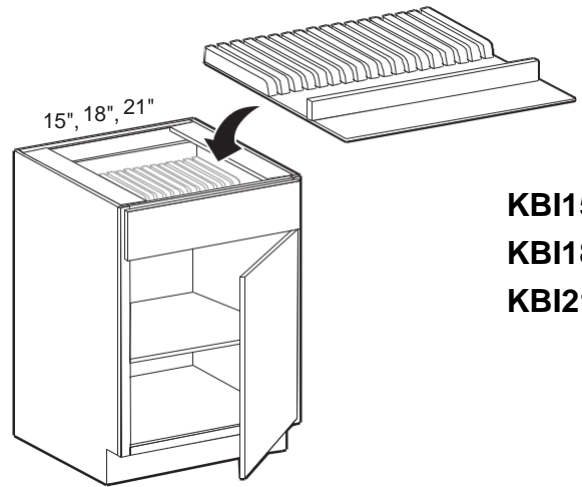
Spice Drawer Insert



SDI15
SDI18
SDI21
SDI24
SDI27

- Solid hardwood drawer insert
- Three 5" high angled tiers
- Rear 4" deep compartment
- Sized to fit inside 15", 18", 21", 24", 27" wide drawers
- Not for use in custom-depth cabinets

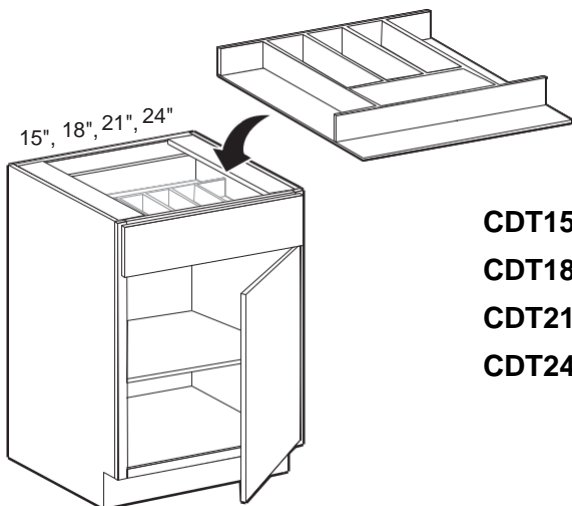
Knife Block Insert



KBI15
KBI18
KBI21

- Solid hardwood drawer insert
- One full width front utensil compartment
- KBI15:** 10 knife slots + utensil compartment (fits B15, BD15)
- KBI18:** 13 knife slots + utensil compartment (fits B18, BD18, B36, BD36)
- KBI21:** 16 knife slots + utensil compartment (fits B21)
- Not for use in custom-depth cabinets

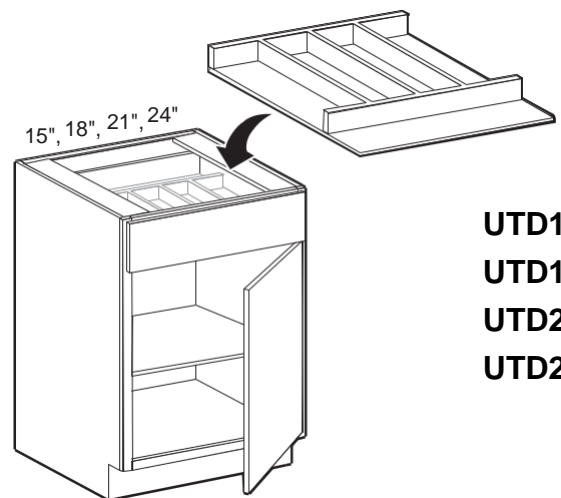
Cutlery Divider Tray



CDT15
CDT18
CDT21
CDT24

- Solid hardwood drawer insert
- One full width front utensil compartment
- CDT15:** 6 compartments 10"-14" deep (fits B15, BD15)
- CDT18:** 6 compartments 10"-14" deep (fits B18, BD18, B36, BD36)
- CDT21:** 8 compartments 10"-14" deep (fits B21)
- CDT24:** 8 compartments 10"-14" deep (fits B24, BD24)
- Not for use in custom-depth cabinets

Utensil Divider Tray



UTD15
UTD18
UTD21
UTD24

- Solid hardwood drawer insert
- One full width front utensil compartment
- UTD15:** 2 additional compartments 16" deep (fits B15, BD15)
- UTD18:** 4 additional compartments 16" deep (fits B18, BD18, B36, BD36)
- UTD21:** 5 additional compartments 16" deep (fits B21)
- UTD24:** 5 additional compartments 16" deep (fits B24, BD24)
- Not for use in custom-depth cabinets

Decorative Hardware



NEW!
- Matte black

DH801-96MBL
4-1/4" Square Bar Pull
3 3/4" center (96mm)

DH801-128MBL
5-1/2" Square Bar Pull
5" center (128mm)

DH00801-17MBL
6-3/4" Square Bar Pull
6-5/16" center (160mm)



NEW!
- Brushed nickel

DH801-96BRN
4-1/4" Square Bar Pull
3 3/4" center (96mm)

DH801-128BRN
5-1/2" Square Bar Pull
5" center (128mm)

DH00801-17MBL
6-3/4" Square Bar Pull
6-5/16" center (160mm)



NEW!
- Champagne Bronze

DH873-96CHBR
4-1/4" Square Bar Pull
3 3/4" center (96mm)

DH873-128CHBR
5-3/8" Square Bar Pull
5" center (128mm)

DH873-160CHBR
6-3/4" Square Bar Pull
6-5/16" center (160mm)



NEW!
- Brushed nickel

DH5016-96BRN
5-3/8" Tubular Bar Pull
3 3/4" center (96mm)

DH5016-128BRN
6-5/8" Tubular Bar Pull
5" center (128mm)

DH5016-160BRN
7-7/8" Tubular Bar Pull
6-5/16" center (160mm)



NEW!
- Champagne Bronze

DH5016-96CHBR
5-3/8" Tubular Bar Pull
3 3/4" center (96mm)

DH5016-128CHBR
6-5/8" Tubular Bar Pull
5" center (128mm)

DH5016-160CHBR
7-7/8" Tubular Bar Pull
6-5/16" center (160mm)

Decorative Hardware



- Stainless steel
- Low profile edge pull

DH09898-04STS - 1.5" Edge Pull

1" center (25mm)

DH09898-10STS - 4" Edge Pull

3" center (80mm)

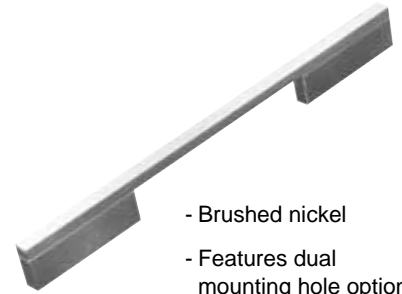


- Sleek modern pull
- Brushed nickel

DH07125-16BRN

3-3/4" center (96mm)

6-1/4" outside length



- Brushed nickel
- Features dual mounting hole options

DH116-120 - 10" Quadra Pull

5" inside center (128mm)

8-13/16" outside center (224mm)

DH116-122 - 11" Quadra Pull

6-5/16" inside center (160mm)

10-1/16" outside center (256mm)



- Euro railing pull
- Brushed nickel

DH45-100 - 7" Euro Pull

3 3/4" center (96mm)

DH45-102 - 10" Euro Pull

6-15/16" center (176mm)

DH45-104 - 13" Euro Pull*

9 3/4" center (248mm)

DESIGN TIP: Make sure to double check the length of drawer/door to ensure pull will fit the cabinet



- Brushed steel

DH44-346 - 8" Square Bar Pull

7 1/2" center (196mm)

DH44-348 - 9" Square Bar Pull

8-13/16" center (224mm)

DH44-350 - 13" Square Bar Pull*

12-5/8" center (320mm)

DH44-352 - 19" Square Bar Pull*

18-7/8" center (480mm)

DH116-126 - 14" Quadra Pull

8-13/16" inside center (224mm)

12-5/8" outside center (320mm)

DH116-134 - 20" Quadra Pull*

15-1/8" inside center (384mm)

18-7/8" outside center (480mm)

DH116-136 - 24" Quadra Pull*

18-7/8" inside center (480mm)

22-11/16" outside center (576mm)

* Due to the overall length of this hardware, it is not compatible with drilling template HDWE TEMPLATE-AW.

Decorative Hardware

DH43-826

- Elongated oval knob
- Antique pewter
- 2" length

DH43-630

- Elongated oval knob
- Oiled bronze
- 2" length

DH93-152



- Raised mitered knob
- Antique pewter
- 1-3/8" square

DH43-828



- Classic pull
- Antique pewter
- 3-3/4" center (96mm)
- 4-3/4" outside length

DH43-632



- Classic pull
- Oiled bronze
- 3-3/4" center (96mm)
- 4-3/4" outside length

DH93-112



- Raised mitered pull
- Antique pewter
- 3-3/4" (96mm) & 5" (128mm) center
- 6-3/8" outside length

DH43-124



- Octagon knob
- Antique silver
- 1-3/8" diameter

DH43-618



- Octagon knob
- Oiled bronze
- 1-3/8" diameter

DH99-188



- Round knob
- Brushed nickel
- 1-1/4" diameter

DH43-114



- Traditional pull
- Antique silver
- 3-3/4" center (96mm)
- 4-1/2" outside length

DH43-614



- Traditional pull
- Oiled bronze
- 3-3/4" center (96mm)
- 4-1/2" outside length

DH99-128



- Contemporary bow pull
- Brushed nickel
- 3-3/4" center (96mm)
- 5-1/4" outside length

DH65-200



- Birdcage knob
- Antique iron
- 2-1/2" length

DH95-144



- Square dimpled knob
- Matte nickel
- 1-1/4" square

DH65-120



- Birdcage pull
- Antique iron
- 3-3/4" center (96mm)
- 4" outside length

DH95-104

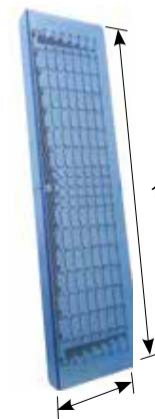


- Square dimpled pull
- Matte nickel
- 6-5/16" center (160mm)
- 7-1/2" outside length

HDWE TEMPLATE-AW

Hardware Drilling Template

Align with door frame to quickly and accurately mark hole locations.



11-3/8"

NOTE: Refer to the individual decorative hardware size specifications to determine compatibility with this template.



www.Grandior.net

410-415-1451



Member

NKBA



CARB2
compliant 