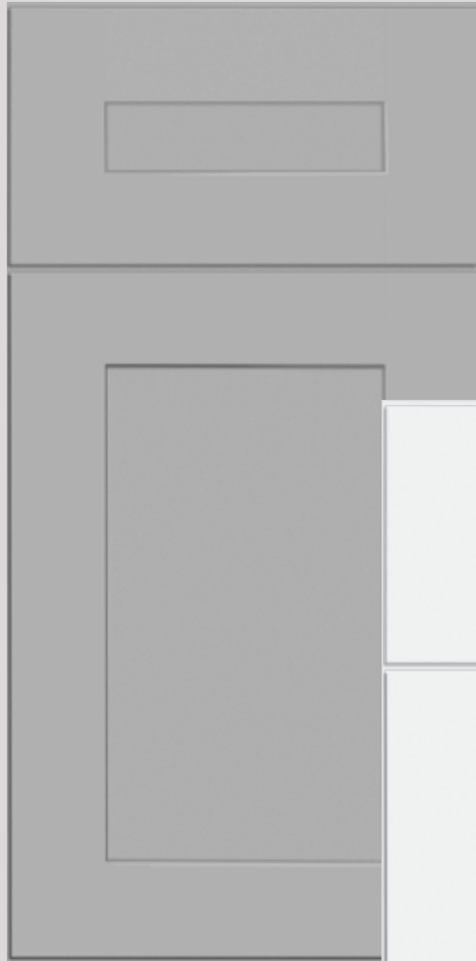
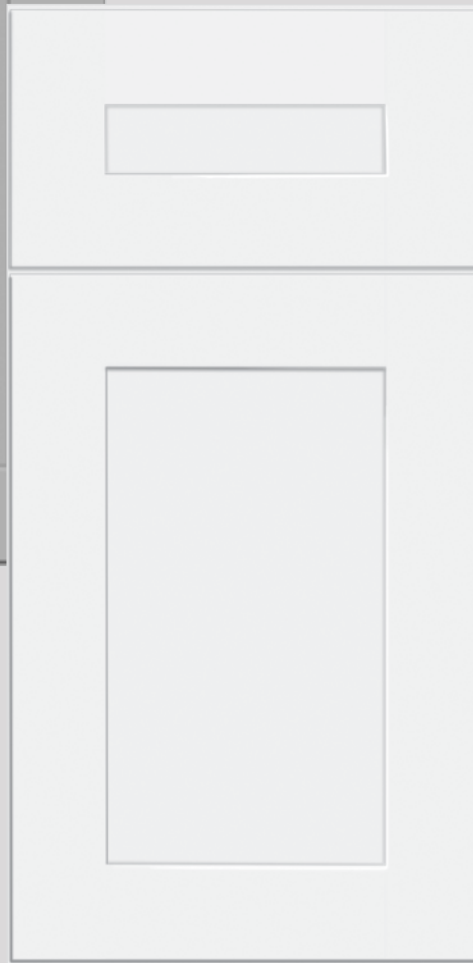


# 2 DAY\* EXPRESS



Express Painted Pebble Gray

- Ships in 2 Days\* or Less
- Hundreds Of Sizes
- All Plywood Construction
- Soft Close Doors & Drawers
- Premium Painted Finish



Express Painted Polar White

2 DAY\* EXPRESS  
KITCHEN AND BATH CABINETRY

\*2 Business Days

grandior.net | 410-415-1451



## **EXPRESS KITCHEN & BATH CABINETRY**

### **Limited Lifetime Warranty**

Grandior Cabinetry® (warrantor) warrants to the original consumer purchaser, that all products manufactured or supplied by warrantor will be free from defects in material and workmanship. This warranty is for your lifetime as long as you own the cabinetry, on product used for Residential Purposes only and is not transferable to subsequent owners.

Proof of Purchase is required.

This warranty does not cover damage resulting from normal wear, accident, misuse or lack of reasonable and necessary maintenance and service; nor does it warranty the improper installation or unauthorized repair, alteration, or modification or defects in the product when the product is installed. This warranty is limited to the repair or replacement of the defective part at the sole discretion of warrantor. Warranty is limited to Ideal Cabinetry branded products excluding all electrical components: Excluded items may carry separate warranties as provided directly by the manufacturer of these products.

It is our option to provide repair parts or replace with functionally equivalent product. Return of product may be required for replacements. Such repair parts or replacement shall be at warrantor's expense, but customer shall bear all other expenses, including, but not limited to, cost of removal, transportation, re-installation, communication and any special service required by customer such as, overtime labor, etc.

Natural woods and finishes vary in color, grain pattern and exhibit color changes over time. Cabinets may darken or lighten with age due to exposure to certain environmental conditions including but not limited to sunlight, moisture, household cleaners, smoke, etc. Painted cabinets may show cracking at seams. These variations are considered the natural characteristics of the material and finishes and are not covered under this warranty.

Due to nature of materials and finishes Grandior Cabinetry cannot guarantee warranty replacement will be an exact match.

Grandior Cabinetry reserves the right to alter design, specifications and material without obligation to make changes to product previously manufactured.

EXCEPT TO THE EXTENT PROVIDED BY APPLICABLE LAW, ALL IMPLIED WARRANTIES, INCLUDING WARRANTIES OF MERCHANTABILITY AND FITNESS FOR A PARTICULAR PURPOSE, ARE LIMITED IN DURATION TO THE SHORTER OF THE PERIOD PROVIDED BY LAW OR THE PERIOD OF THIS WARRANTY, AND UNDER NO CIRCUMSTANCE SHALL GRANDIOR CABINETRY BE LIABLE FOR INCIDENTAL OR CONSEQUENTIAL DAMAGES SUSTAINED IN CONNECTION WITH THE PRODUCT. THE EXPRESS WARRANTY ABOVE CONSTITUTES THE ENTIRE WARRANTY AND IS IN LIEU OF ALL OTHERS EXPRESSED OR IMPLIED.

Some states do not allow the exclusion or limitation of incidental or consequential damages, or limitation on how long an implied warranty lasts, therefore, the above limitations or exclusions may not apply to you. This warranty gives you specific legal rights, and you may also have other rights, which vary from state to state.

#### **INDEMNITY**

Grandior Cabinetry shall not be liable for either its failure to perform or its delays in performance hereunder arising out of or resulting from causes beyond its control, including but not limited to, acts of God, acts of Representation, acts of Government, wars, fires, floods, epidemics, quarantine, strike, freight embargoes, weather or default by suppliers due to any such causes.

# TABLE OF CONTENTS



- Door Styles ..... 2
- Cabinet Construction..... 3
- Finished End .....4
- Wall Cabinets ..... 5-8
- Base Cabinets..... 9-13
- Tall Cabinets..... 14-15
- Vanity Cabinets ..... 16-18
- Accessories..... 19-21
- Decorative Molding ..... 22-23  
*(includes crowns and light rails)*
- Decorative Hardware ..... 24-26  
*(includes handles and knobs)*
- Cabinet Frame & Opening Dimensions ..... 27-29

**PLEASE NOTE:** Line drawings are artistic representations of products for general dimensioning purposes. These should not be relied upon for accurate product appearance. Please consult the website or a designer if you have any questions or specific design requirements.



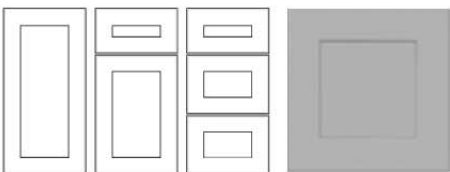
**Express Painted Polar White (XPW)**



- 3/4" thick x 3" wide MDF Shaker framed doors with 5/8" thick solid MDF center panels
- 3/4" thick x 3" wide MDF Shaker framed drawer fronts with 5/8" thick solid MDF recessed center panels
- Soft close hinges & full extension drawers with soft close
- Available in White painted finish
- Decorative hardware required

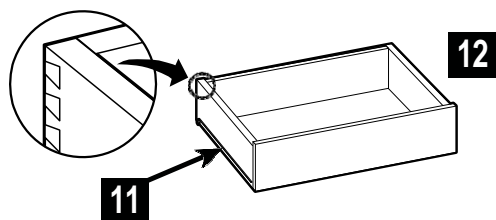
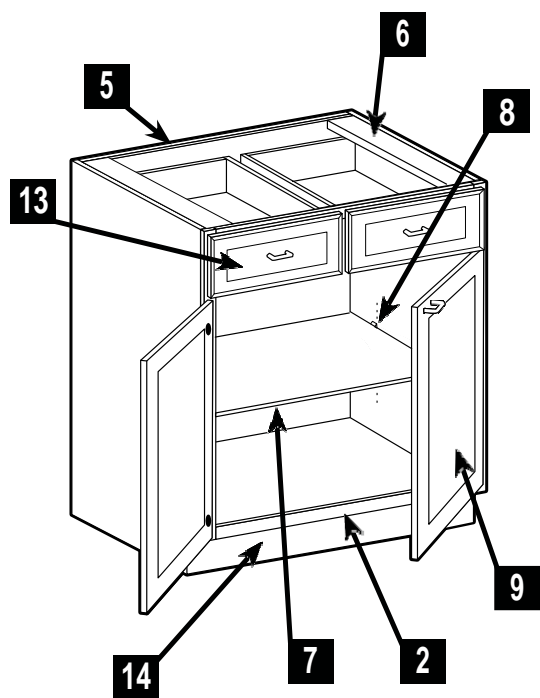
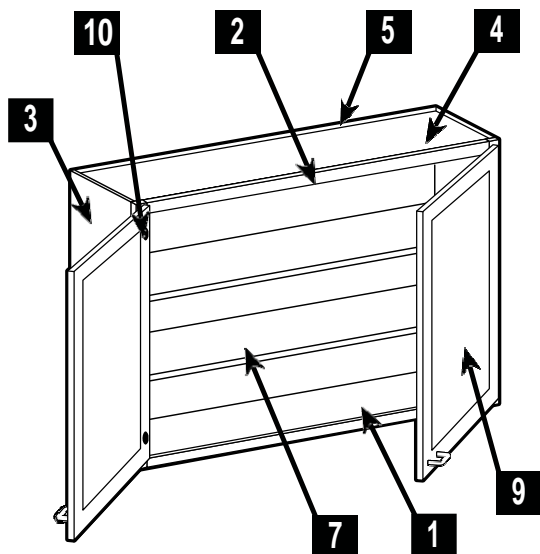


**Express Painted Pebble Gray (XPG)**



- 3/4" thick x 3" wide MDF Shaker framed doors with 5/8" thick solid MDF center panels
- 3/4" thick x 3" wide MDF Shaker framed drawer fronts with 5/8" thick solid MDF recessed center panels
- Soft close hinges & full extension drawers with soft close
- Available in Gray painted finish
- Decorative hardware required

**All of our painted door styles feature solid wood painted face frames.** As with any painted wood surface, expansion and contraction with changes in climate may cause fractures in the paint surface at joints. This is an acceptable characteristic and will vary based on climate conditions. In addition, there may be a slight color shift over time due to continued exposure to both natural and artificial light.



<b>1</b>	<b>INTERIOR</b>	Natural birch vinyl laminate provides a durable, wipe clean finish.
<b>2</b>	<b>FACE FRAME</b>	1½" wide x ¾" thick solid hardwood pocket screwed.
<b>3</b>	<b>END PANELS</b>	½" thick CARB2 plywood, exterior vinyl laminate is color matched to the face frame.
<b>4</b>	<b>FLOOR &amp; CEILING</b>	½" thick CARB2 plywood, both sides captured by end panels.
<b>5</b>	<b>BACK PANELS</b>	½" thick CARB2 plywood with natural birch vinyl laminate interior and raw exterior. The 'clipped' back panels on Wall Angle and Easy Reach Corner cabinets will be ¼" plywood.
<b>6</b>	<b>"I-BEAM" SUPPORTS</b>	½" thick CARB2 plywood, full depth braces provide stability and support for countertop attachment.
<b>7</b>	<b>ADJUSTABLE SHELVES</b>	¾" thick CARB2 plywood finished with natural birch vinyl laminate and matching edgebanding. Base and wall adjustable shelves are full depth.
<b>8</b>	<b>SHELF SUPPORTS</b>	Clear, high strength plastic with locking top tab to prevent shelf tip. Provides easy shelf adjustment.
<b>9</b>	<b>DOORS</b>	Stylish, full-overlay doors available in stained hardwoods or MDF. See pages 2-3 for details.
<b>10</b>	<b>HINGES</b>	Fully concealed 110° opening Soft Close hinges with 6-way adjustment for ease of alignment.
<b>11</b>	<b>RUNNERS/ GLIDES</b>	Drawers feature smooth gliding, full extension, ball bearing runners with Soft Closing shocks that engage when drawer is 1" from closed. Interior roll out trays have epoxy coated side mount runners. Both are rated for 100lb static and 75lb dynamic loads.
<b>12</b>	<b>DRAWERS &amp; ROLL-OUT TRAYS</b>	5/8" thick finger jointed hardwood four sided dovetail box construction, finished with a clear top coat and a ¼" thick captured plywood floor.
<b>13</b>	<b>DRAWER FRONTS</b>	Stylish full overlay drawer fronts available in solid hardwood or MDF. See pages 2-3 for details. For standard kitchen and vanity cabinets, the top drawer front is 8" high & bottom two drawer fronts are 10 ½" high
<b>14</b>		½" thick plywood secured between end panels. Provides solid backing for installation of Matching Toe Kick (MTK8) or other materials such as ceramic, vinyl, etc.

FINISHED END



**1. Standard End Panels** are ½" thick CARB2 plywood. Exterior vinyl laminate matches face frame finish.

## WALL CABINET CODING

### STANDARD (12" DEEP)

**W 30 30**

↑ Cabinet Code    ↑ Cabinet Width    ↑ Cabinet Height

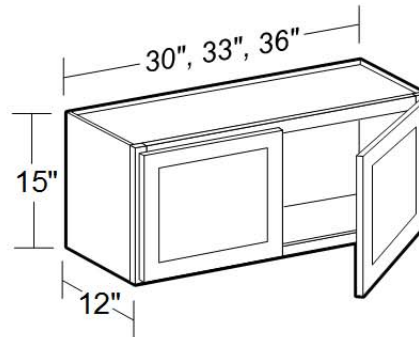
### REFRIGERATOR (24" DEEP)

**W 36 24 18**

↑ Cabinet Code    ↑ Cabinet Width    ↑ Cabinet Depth    ↑ Cabinet Height

- All wall cabinets are 12" deep unless otherwise noted. Actual height of 24" high cabinets is 23½" overall. Refrigerator wall cabinets are 24" deep.
- Cabinet depth does not include door thickness
- Products are available in all door styles unless stated otherwise
- Standard cabinet exterior is color matched to face frame
- Soft close hinges

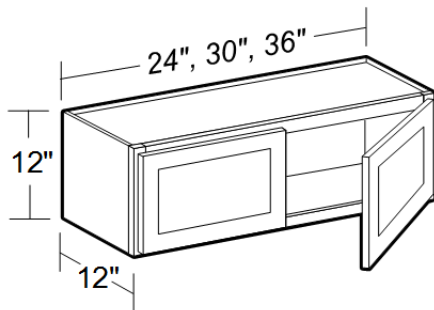
### 15" High Double Door



**W3015**  
**W3315**  
**W3615**

- No adjustable shelf

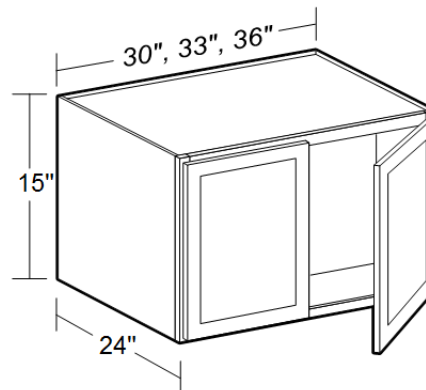
### 12" High Double Door



**W2412**  
**W3012**  
**W3612**

- No adjustable shelf

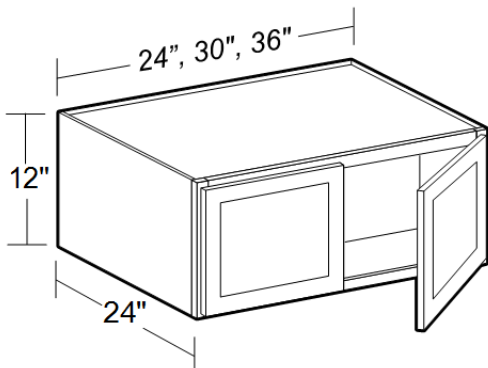
### 15" High x 24" Deep Double Door



**W302415**  
**W332415**  
**W362415**

- No adjustable shelf
- Must be installed between two cabinets, cabinet and wall, or supported by refrigerator panels (RP)

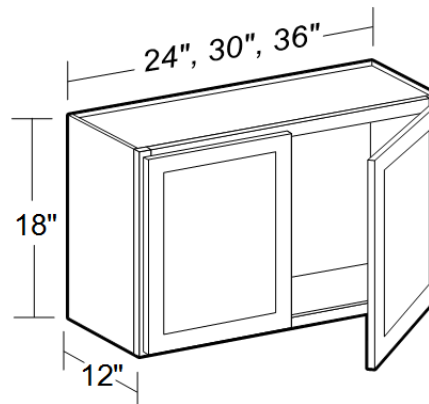
### 12" High x 24" Deep Double Door



**W242412**  
**W302412**  
**W362412**

- No adjustable shelf
- Must be installed between two cabinets, cabinet and wall, or supported by refrigerator panels (RP)

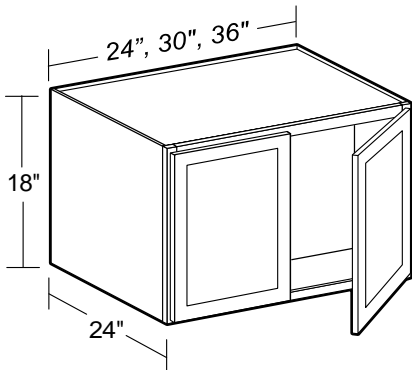
### 18" High Double Door



**W2418**  
**W3018**  
**W3618**

- No adjustable shelf

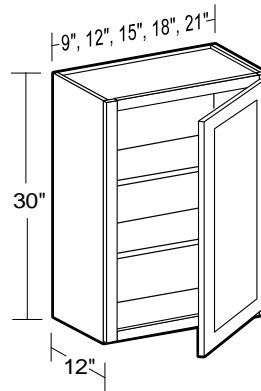
**18" High x 24" Deep Double Door**



**W242418**  
**W302418**  
**W362418**

- No adjustable shelf
- Must be installed between two cabinets, cabinet and wall, or supported by refrigerator panels (RP)

**30" High Single Door**

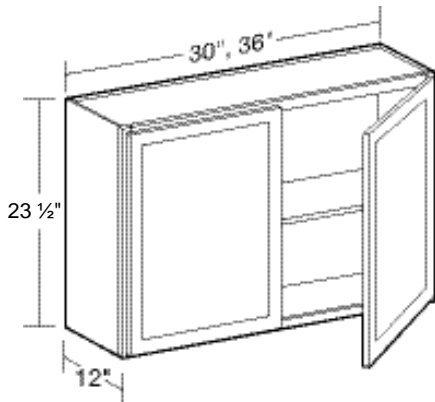


**SPECIFY**  
**RIGHT or LEFT HINGED**

**W0930**  
**W1230**  
**W1530**  
**W1830**  
**W2130**

- Two adjustable shelves

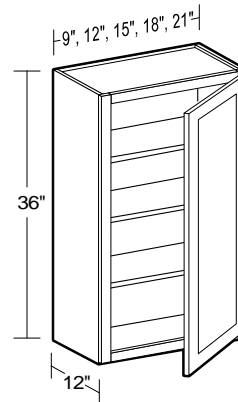
**24" High Double Door**



**W3024**  
**W3624**

- One adjustable shelf

**36" High Single Door**

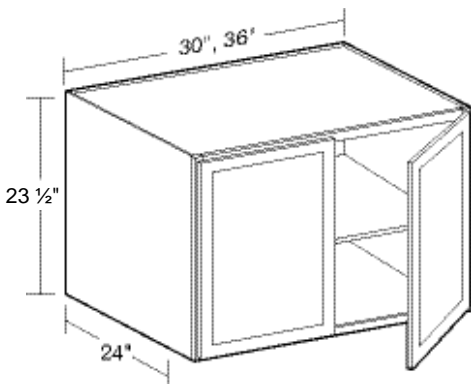


**SPECIFY**  
**RIGHT or LEFT HINGED**

**W0936**  
**W1236**  
**W1536**  
**W1836**  
**W2136**

- Three adjustable shelves

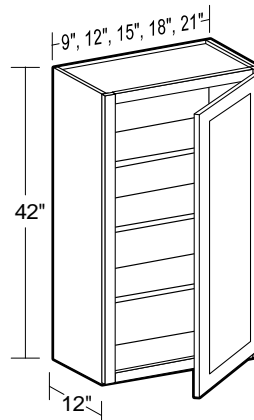
**24" High x 24" Deep Double Door**



**W302424**  
**W362424**

- One adjustable shelf
- Must be installed between two cabinets, cabinet and wall, or supported by refrigerator panels (RP)

**42" High Single Door**



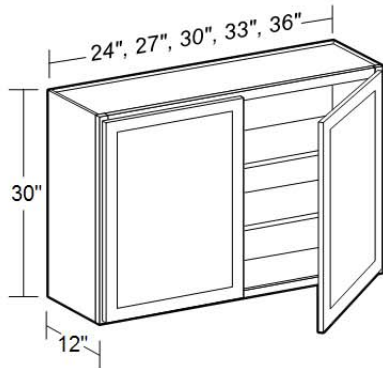
**SPECIFY**  
**RIGHT or LEFT HINGED**

**W0942**  
**W1242**  
**W1542**  
**W1842**  
**W2142**

- Three adjustable shelves



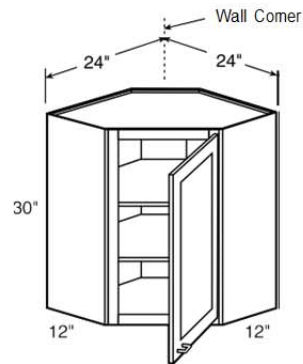
### 30" High Double Door



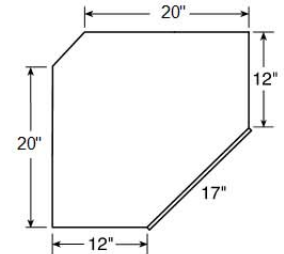
**W2430**  
**W2730**  
**W3030**  
**W3330**  
**W3630**

- Two adjustable shelves

### 30" High Wall Angle

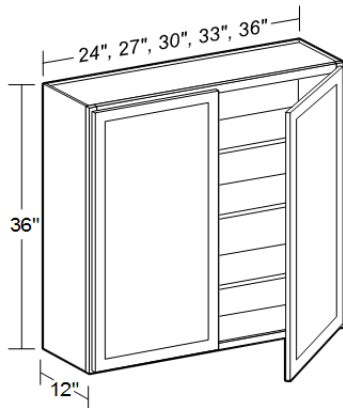


SPECIFY  
 RIGHT or LEFT HINGED  
**WA2430**



- Two adjustable shelves
- Clip corner back provides clearance for installation
- Clip corner back is 1/4" plywood

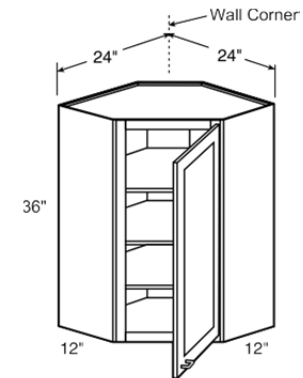
### 36" High Double Door



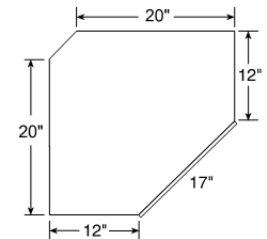
**W2436**  
**W2736**  
**W3036**  
**W3336**  
**W3636**

- Three adjustable shelves

### 36" High Wall Angle

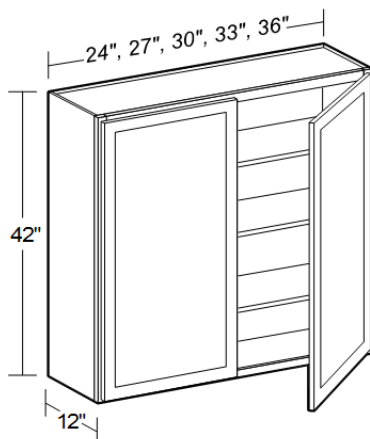


SPECIFY  
 RIGHT or LEFT HINGED  
**WA2436**



- Three adjustable shelves
- Clip corner back provides clearance for installation
- Clip corner back is 1/4" plywood

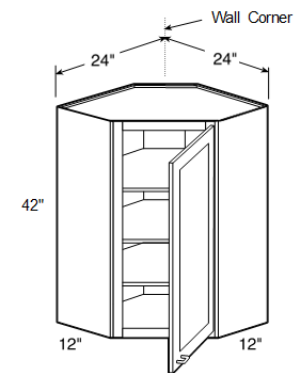
### 42" High Double Door



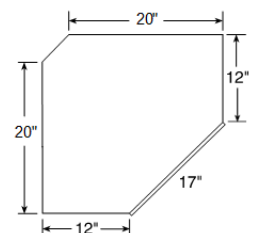
**W2442**  
**W2742**  
**W3042**  
**W3342**  
**W3642**

- Three adjustable shelves

### 42" High Wall Angle

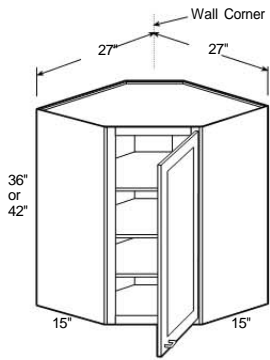


SPECIFY  
 RIGHT or LEFT HINGED  
**WA2442**

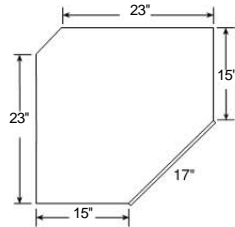


- Three adjustable shelves
- Clip corner back provides clearance for installation
- Clip corner back is 1/4" plywood

## 36" and 42" High x 15" Deep Wall Angle

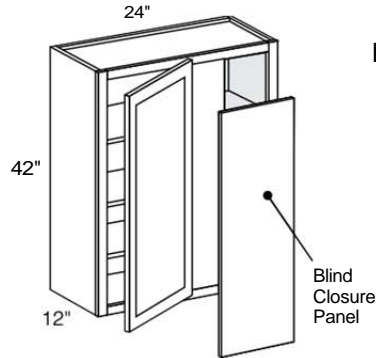


SPECIFY  
RIGHT or LEFT HINGED  
**WA271536**  
**WA271542**



- Three adjustable shelves
- Clip corner back provides clearance for installation
- Clip corner back is 1/4" plywood

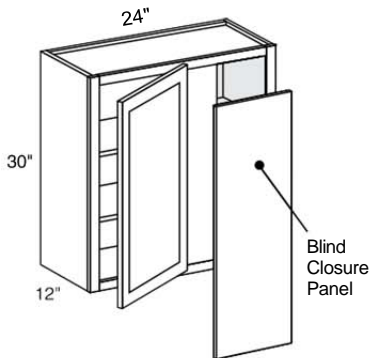
## 42" High Wall Blind Corner



SPECIFY  
RIGHT or LEFT BLIND  
**WBCU2742**

- Three adjustable shelves
- Indicate R or L for blind side (right shown)
- Cabinet can be pulled for exact fit (see installation chart)
- 3" filler & 3/16" blind closure panel included
- Door width is 11-3/4"

## 30" High Wall Blind Corner

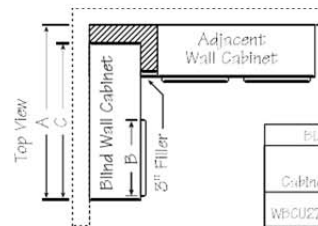


SPECIFY  
RIGHT or LEFT BLIND  
**WBCU2730**

- Two adjustable shelves
- Indicate R or L for blind side (right shown)
- Cabinet can be pulled for exact fit (see installation guide)
- 3" filler & 3/16" blind closure panel included
- Door width is 11-3/4"

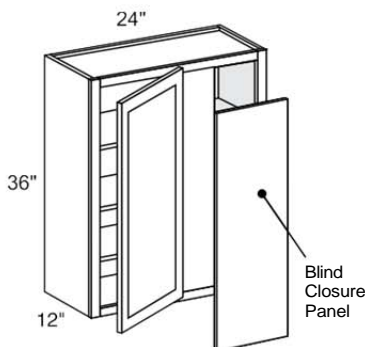
## Blind Corner Installation Guide

\*Gray area represents empty space. Cabinet is designed to be pulled for exact space.



Cabinet	Blind Wall Cabinet		Frame Opening		Cabinet
	Min	Max	Width "E"	Width "C"	
WBCU2750	25"	30"	8 7/8"	24"	
WBCU2736	25"	30"	8 7/8"	24"	
WBCU2742	25"	30"	8 7/8"	24"	

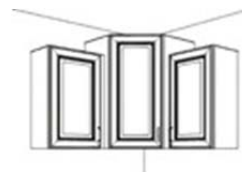
## 36" High Wall Blind Corner



SPECIFY  
RIGHT or LEFT BLIND  
**WBCU2736**

- Three adjustable shelves
- Indicate R or L for blind side (right shown)
- Cabinet can be pulled for exact fit (see installation guide)
- 3" filler & 3/16" blind closure panel included
- Door width is 11-3/4"

## Staggering Upper Cabinets



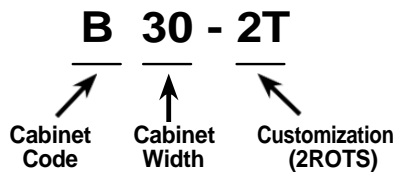
When using the 27" Deep corner cabinets, make sure to place a 3/4" filler next to adjacent cabinet if the adjacent cabinet is shallower.

## Placing wall cabinets next to a return wall



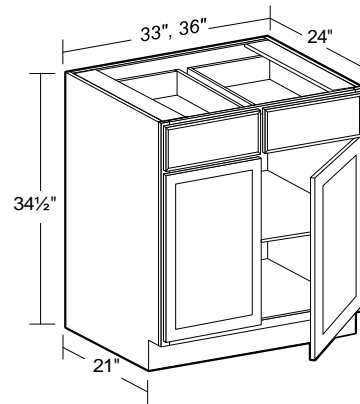
When placing cabinets against a side wall, use a minimum of 3/4" filler between wall and cabinet to allow doors to open

## BASE CABINET CODING



- Standard Base Cabinets are 24" deep and 34½" high
- Desk Height base cabinets are 21" deep and 28½" high
- Cabinet depth does not include door thickness
- Products are available in all door styles unless stated otherwise
- Standard cabinet exterior is color matched to face frame
- Base cabinets are shipped with an unfinished toekick. Finished toekicks in matching wood veneer or painted MDF must be ordered separately and field installed.
- Soft close hinges & full extension drawers with soft close

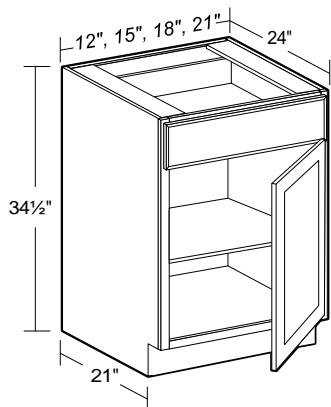
### 24" Deep Double Door



**B33**  
**B36**

- One full-depth adjustable shelf

### 24" Deep Single Door

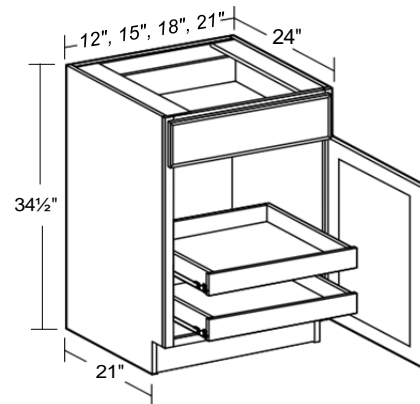


**SPECIFY**  
**RIGHT or LEFT HINGED**

**B12**  
**B15**  
**B18**  
**B21**

- One full-depth adjustable shelf

### 24" Deep Single Door with 2 Roll-Out Trays



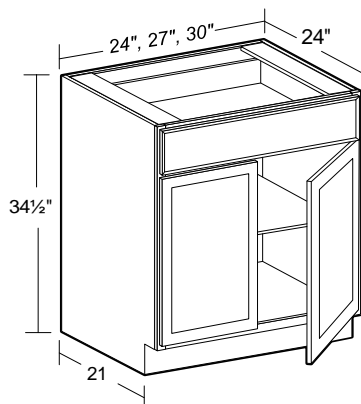
**SPECIFY**  
**RIGHT or LEFT HINGED**

**B12-2T**  
**B15-2T**  
**B18-2T**  
**B21-2T**

- Two full width roll-out trays

**NOTE:** Roll-out trays are not full extension, soft close or adjustable

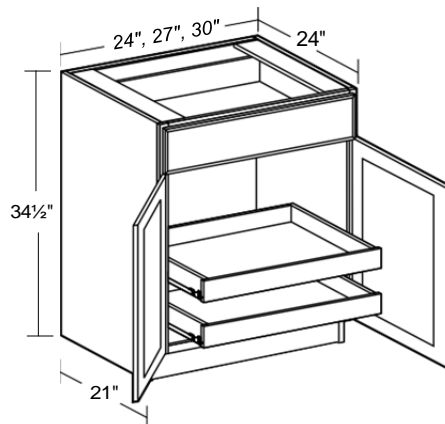
### 24" Deep Double Door



**B24**  
**B27**  
**B30**

- One full-depth adjustable shelf

### 24" Deep Double Door with 2 Roll-Out Trays

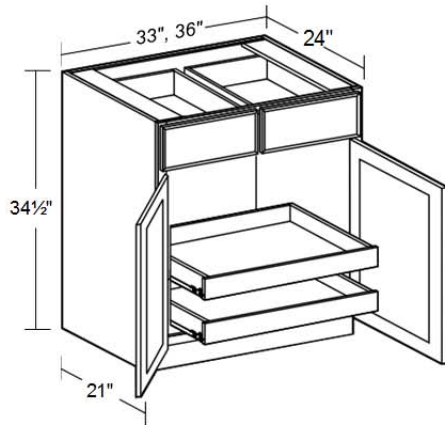


**B24-2T**  
**B27-2T**  
**B30-2T**

- Two full width roll-out trays

**NOTE:** Roll-out trays are not full extension, soft close or adjustable

## 24" Deep Double Door with 2 Roll-Out Trays



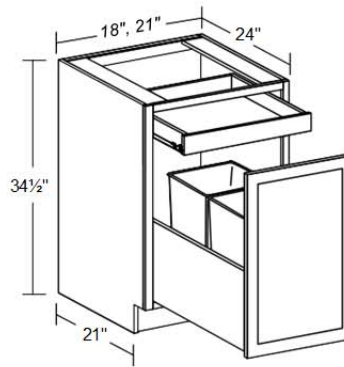
**B33-2T**

**B36-2T**

- Two full-depth roll-out trays

**NOTE:** Roll-out trays are not full extension, soft close or adjustable

## 24" Deep DELUXE Double 35 qt. Waste Basket Pullout

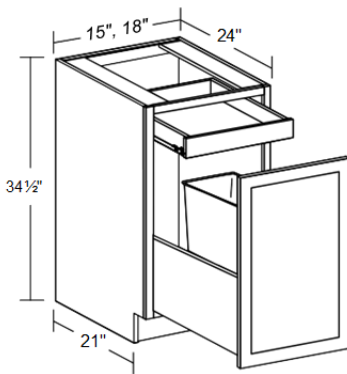


**B2DWB18**

**B2DWB21**

- Baskets slide on heavy duty, full extension, Soft Close runners
- Two 35 quart white plastic baskets sit in a dovetailed plywood drawer box
- Baskets are removable
- Basket dimensions: 14"W x 10"D x 18"H
- Top mount roll-out tray for trash bag storage
- **SOFT CLOSE INCLUDED!**

## 24" Deep DELUXE Single 35 qt. Waste Basket Pullout

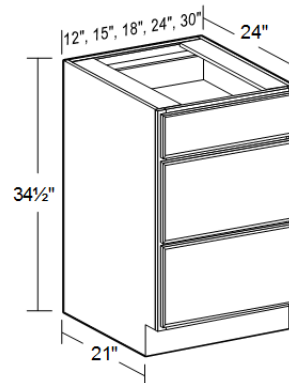


**B1DWB15**

**B1DWB18**

- Basket slides on heavy duty, full extension, Soft Close runners
- 35 quart white plastic basket sits in a dovetailed plywood drawer box
- Basket is removable
- Basket dimensions: 14"W x 10"D x 18"H
- Top mount roll-out tray for trash bag storage
- **SOFT CLOSE INCLUDED!**

## 24" Deep Base - 3 Drawers



**BD12**

**BD15\***

**BD18**

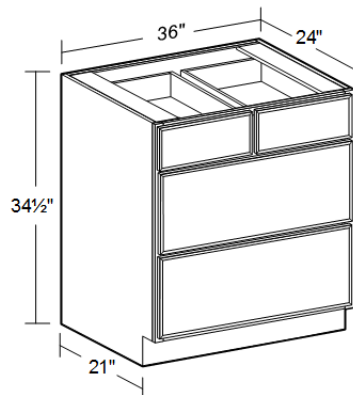
**BD24**

**BD30**

- One standard top drawer
- Two deep drawers

\* Maximum drawer handle width for lower drawers is 4" wide for raised panel styles, 5 1/2" wide for recessed panel styles.

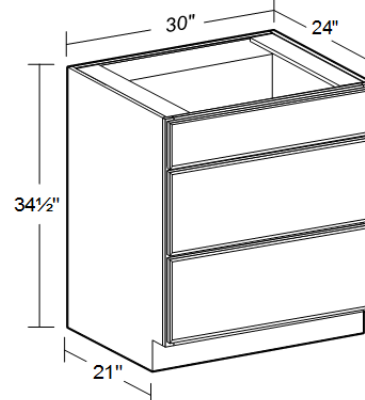
## 24" Deep Base - 4 Drawers



**BD36**

- Two standard top drawers
- Two deep drawers

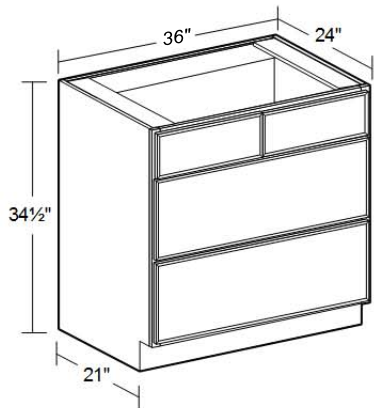
## 24" Deep Base Cooktop - Single False Front



**BCT30**

- False top drawer front
- Two deep drawers
- Accepts drop-in cooktop

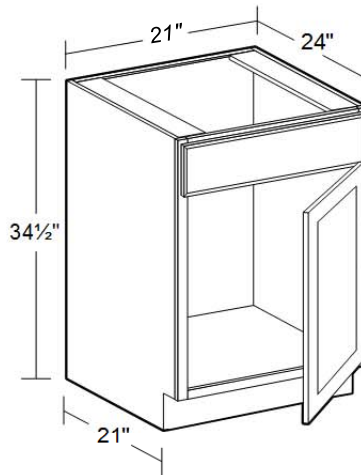
## 24" Deep Base Cooktop - Double False Front



**BCT36**

- False top drawer fronts
- Two deep drawers
- Accepts drop-in cooktop

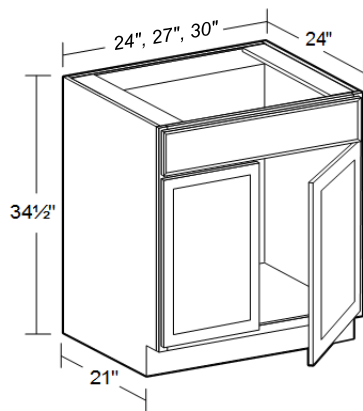
## 21" Deep Single Door Sink Base



SPECIFY  
RIGHT or LEFT HINGED  
**SB21**

- Maximum sink cutout 19" wide
- No shelf
- False drawer front

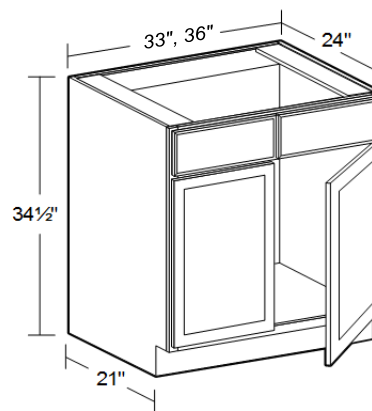
## 24" Deep Sink Base



**SB24**  
**SB27**  
**SB30**

- No shelf, false drawer front
- May also be used as drop-in cooktop base

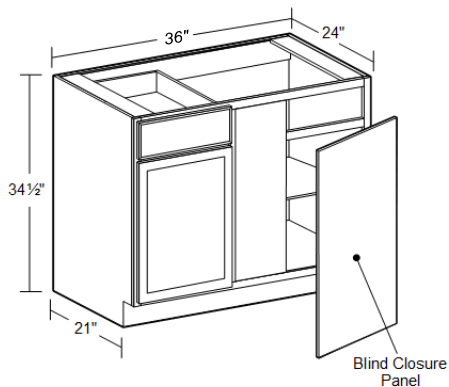
## 24" Deep Sink Base



**SB33**  
**SB36**

- No shelf, two false drawer fronts
- May also be used as drop-in cooktop base

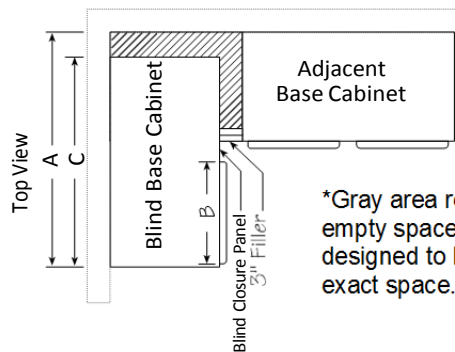
## 24" Deep Blind Base Corner



SPECIFY  
RIGHT or  
LEFT BLIND  
**BBCU42**

- Indicate R or L for blind side (right shown)
- Cabinet can be pulled for exact fit (see installation chart)
- 3" filler & 3/16" blind closure panel included
- Door width is 14-3/4"

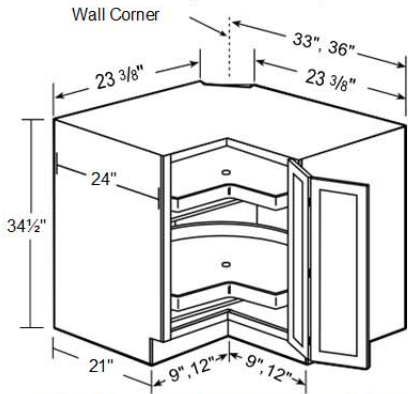
## Blind Base Corner Installation



\*Gray area represents empty space. Cabinet is designed to be pulled for exact space.

BLIND BASE INSTALLATION GUIDE				
Cabinet	Wall Space "A"		Frame Opening	Cabinet
	Min	Max	Width "B"	Width "C"
BBCU42	42"	45"	12"	36"

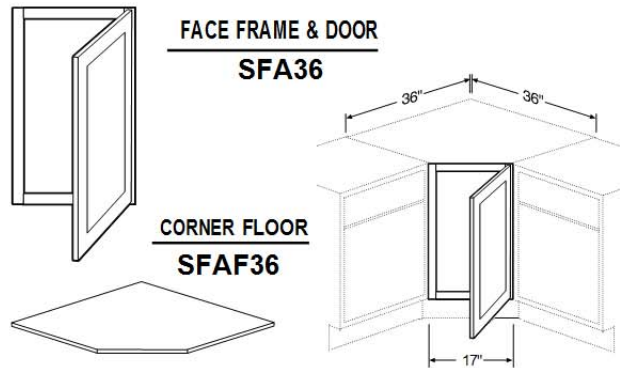
## 33" and 36" Easy Reach Super Suzan



**SPECIFY**  
**RIGHT or LEFT HINGED**  
**EZR33SS**  
**EZR36SS**

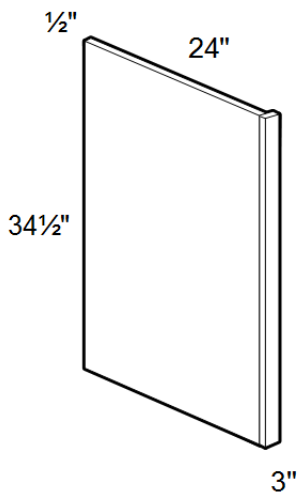
- Two 26" or 28" diameter, pie-cut independently revolving all wood shelves
- Doors open 170 degrees for easy access
- Clip corner is 1/4" plywood
- **SOFT CLOSE DOOR (SCD) OPTION NOT AVAILABLE**

## Sink Front Angle



- Angle sink front must be installed between two cabinets
- Frame/door can be installed with hinges on right or left
- Floor support and toe base must be field constructed
- Maximum sink width for this application 25 3/4"

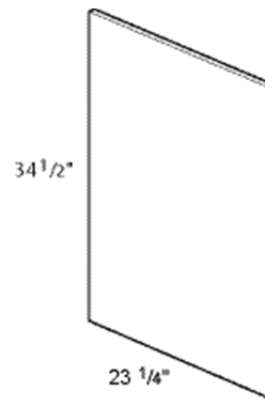
## 24" Deep End Panel with 3" wide Filler



**BP3**

- 3" wide solid wood filler included
- Panel and filler supplied loose for field assembly
- Reversible, may be installed left or right
- 1/2" thick plywood panel finished with vinyl laminate color matched to cabinetry face frame

## Base Skin



**BSK345**

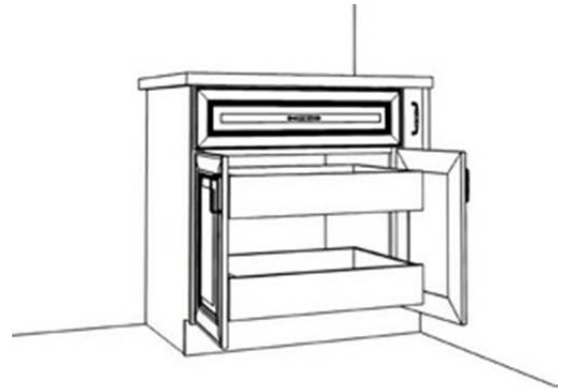
- 1/8" thick plywood finished with vinyl laminate color matched to cabinetry face frame
- Field modified and installed
- Can be field modified for shallower depth cabinets
- Finish matches cabinetry face frame

## Designing Around a Range



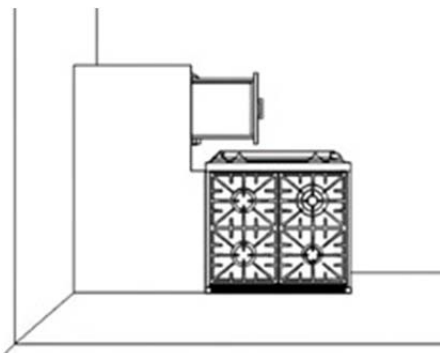
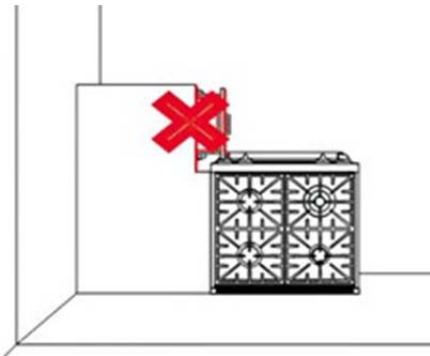
Make sure to give landing space on each side of a cooking appliance when placing in design.

## Clearance for Roll Out Trays



Be sure to leave enough clearance for doors to open at least 90 degrees. This will allow the roll out trays to be operated correctly.

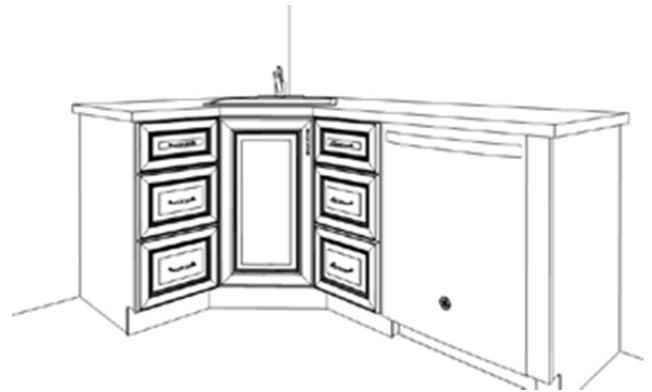
## Blind Cabinets with Drawers



When placing a blind base cabinet, cabinet with drawer or trash pull out, make sure to allow enough clearance so drawer/pull out will open fully.

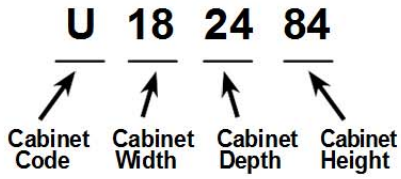
Make sure to leave enough space to allow drawer to open if placing around corner from range or appliance.

## Using a Sink Front Angle



For sufficient dishwasher door clearance and loading/unloading space, a 15" wide base cabinet is recommended for use between a corner sink base and dishwasher.

**TALL CABINET CODING**

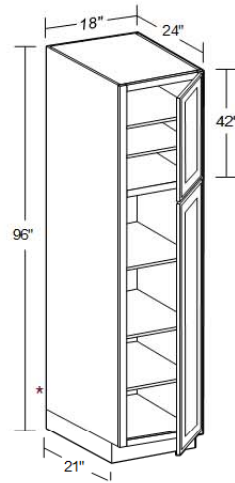


- Standard Tall Cabinets are 24" deep
- Add door thickness for total cabinet depth
- Products are available in all door styles unless stated otherwise
- Standard cabinet exterior is color matched to face frame
- Soft close hinges

**24" Deep Two Door Utility**

SPECIFY  
RIGHT or LEFT HINGED

**U182496**



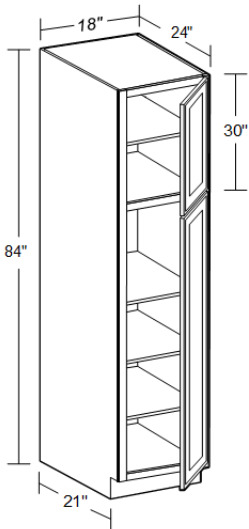
- One fixed shelf dividing upper and lower doors, five adjustable shelves
- \* Loose toe kick box for ease of installation

**NOTE:** Loose toe kick box will have a finished side, but will have a seam at bottom

**24" Deep Two Door Utility**

SPECIFY  
RIGHT or LEFT HINGED

**U182484**

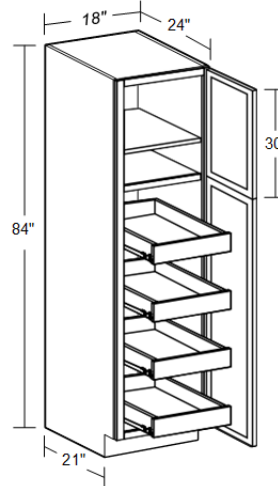


- One fixed shelf dividing upper and lower doors, four adjustable shelves

**24" Deep Two Door Utility with Four Rollout Trays**

SPECIFY  
RIGHT or LEFT HINGED

**U182484-4T**

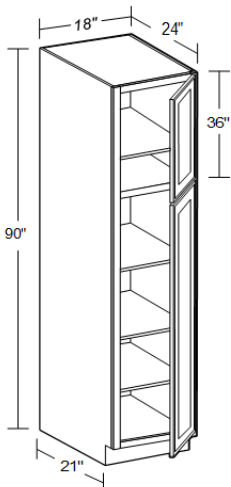


- One fixed shelf dividing upper and lower doors
- Four repositionable, full width rollout trays
- One adjustable shelf

**24" Deep Two Door Utility**

SPECIFY  
RIGHT or LEFT HINGED

**U182490**

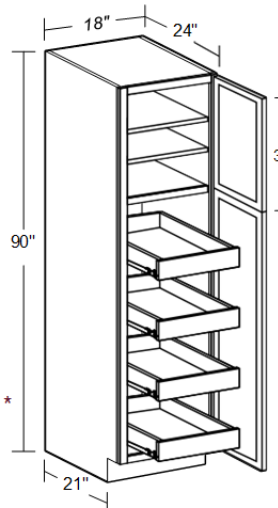


- One fixed shelf dividing upper and lower doors, four adjustable shelves

**24" Deep Two Door Utility with Four Rollout Trays**

SPECIFY  
RIGHT or LEFT HINGED

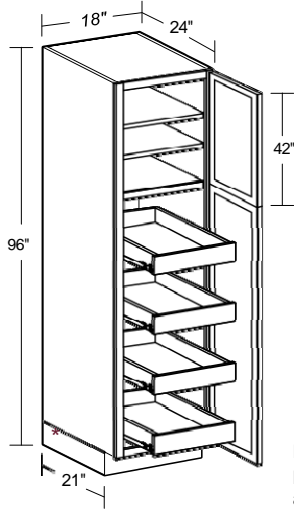
**U182490-4T**



- One fixed shelf dividing upper and lower doors
- Four repositionable, full width rollout trays
- Two adjustable shelves



## 24" Deep Two Door Utility with Four Rollout Trays

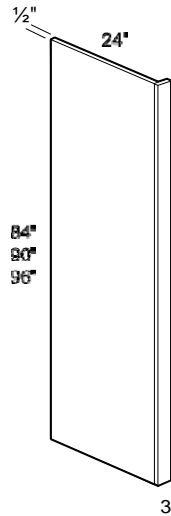


**SPECIFY  
RIGHT or LEFT HINGED  
U182496-4T**

- One fixed shelf dividing upper and lower doors
- Four repositionable, full width rollout trays
- Two adjustable shelves
- \* Loose toe kick box for ease of installation

**NOTE:** Loose toe kick box will have a finished side, but will have a seam at bottom

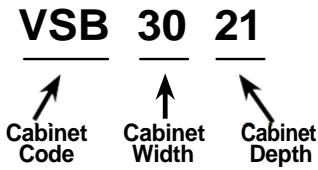
## 24" Deep Refrigerator Panel with 3" wide Filler



**RP384  
RP390  
RP396**

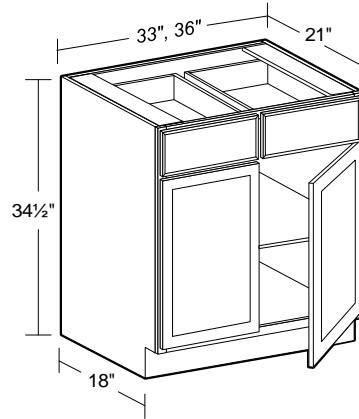
- 3" wide solid wood filler included
- Panel and filler supplied loose for field assembly
- Reversible, may be installed left or right
- 1/2" thick plywood panel finished with vinyl laminate color matched to cabinetry face frame
- Filler may be scribed up to 5/8"

**VANITY CABINET CODING**



- Standard Vanity Base Cabinets are 21" deep and 34½" high
- Cabinet depth does not include door thickness
- Products are available in all door styles unless stated otherwise
- Standard cabinet exterior is color matched to face frame

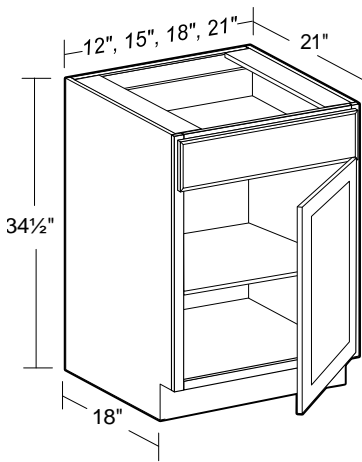
**21" Deep Double Door Vanity Base**



**STANDARD  
21" DEPTHS**  
**VB3321**  
**VB3621**

- One full depth adjustable shelf
- Two standard drawers

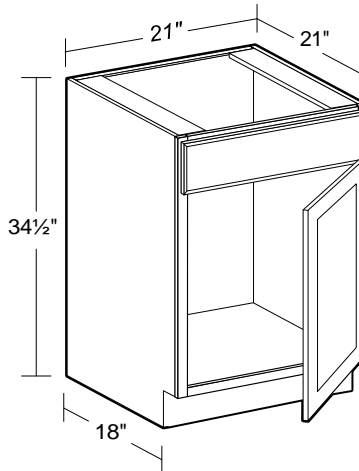
**21" Deep Single Door Vanity Base**



**SPECIFY  
RIGHT or LEFT HINGED**  
**STANDARD  
21" DEPTHS**  
**VB1821 VB1221**  
**VB2121 VB1521**

- One full depth adjustable shelf
- One standard drawer

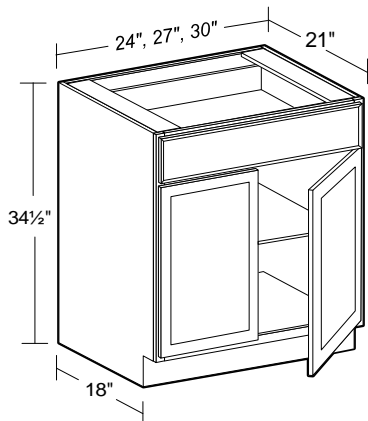
**21" Deep Single Door Vanity Sink Base**



**SPECIFY  
RIGHT or LEFT HINGED**  
**VSB2121**

- Maximum sink cutout 19" wide
- No shelf
- False drawer front

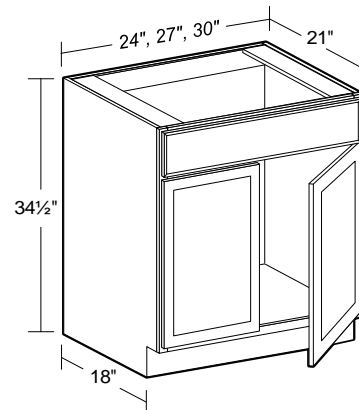
**21" Deep Double Door Vanity Base**



**STANDARD  
21" DEPTHS**  
**VB2421**  
**VB2721**  
**VB3021**

- One full depth adjustable shelf
- One standard drawer

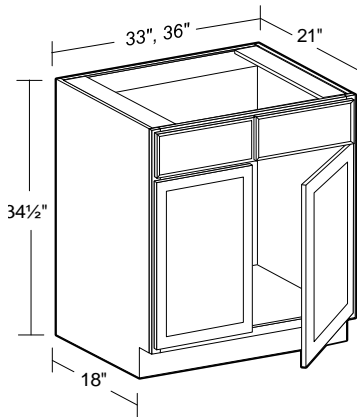
**21" Deep Double Door Vanity Sink Base**



**STANDARD  
21" DEPTHS**  
**VSB2421**  
**VSB2721**  
**VSB3021**

- No shelf
- False drawer front

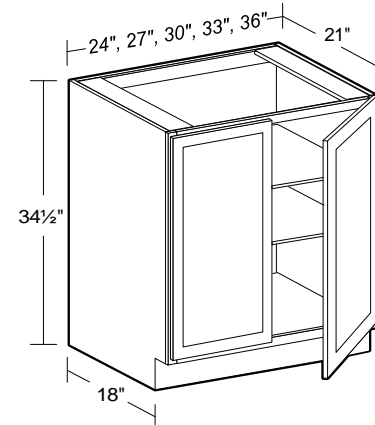
### 21" Deep Double Door Vanity Sink Base



**STANDARD  
21" DEPTHS**  
**VSB3321**  
**VSB3621**

- No shelf, two false fronts

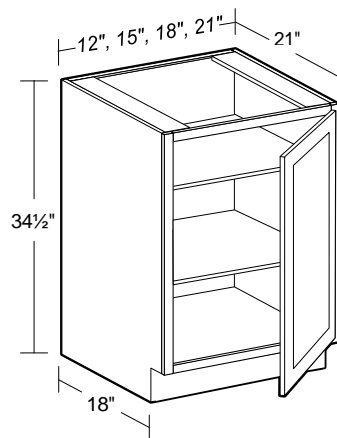
### 21" Deep Double Full Height Door Vanity Base



**STANDARD  
21" DEPTHS**  
**VB2421FH**  
**VB2721FH**  
**VB3021FH**  
**VB3321FH**  
**VB3621FH**

- Two adjustable shelves

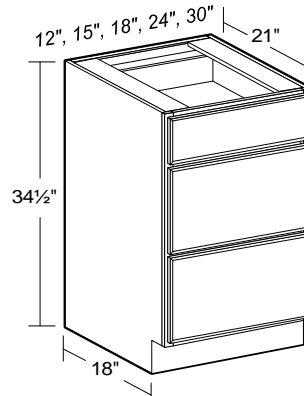
### 21" Deep Single Full Height Door Vanity Base



**SPECIFY  
RIGHT or LEFT HINGED**  
**STANDARD  
21" DEPTHS**  
**VB1221FH**  
**VB1521FH**  
**VB1821FH**  
**VB2121FH**

- Two adjustable shelves

### 21" Deep Vanity Base Drawer



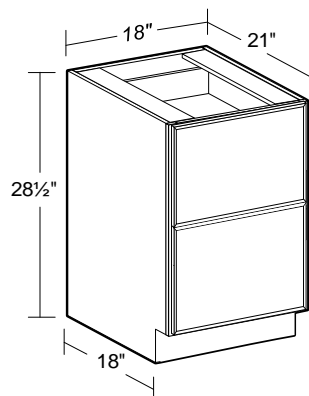
**STANDARD  
21" DEPTHS**  
**VBD1221\***  
**VBD1521**  
**VBD1821**  
**VBD2421**  
**VBD3021**

- One standard drawer
- Two deep drawers

\* Maximum drawer handle width for lower drawers is 4" wide for raised panel styles, 5 1/2" wide for recessed panel styles.

### 21" Deep Desk Drawer

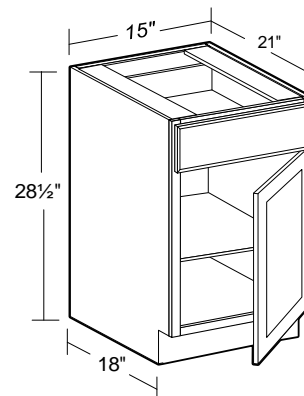
**DDR18**



- Two standard drawers\*
  - Comfortable height for dressing table or writing surface
- \*Does not support hanging files.

### 21" Deep Desk Door

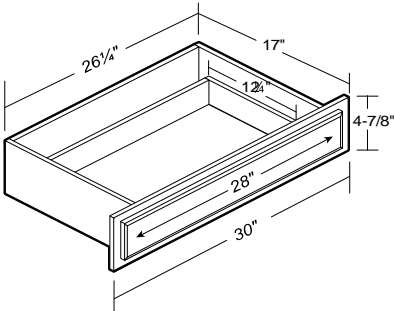
**SPECIFY  
RIGHT or LEFT HINGED**  
**DDO15**



- One adjustable shelf
- Comfortable height for dressing table or writing surface

**21" Deep Desk Knee Drawer**

**DKD30**



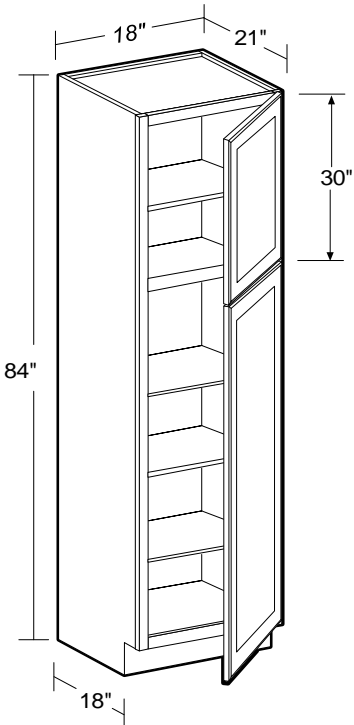
- One full width pencil/cosmetic drawer
- Knee drawer is designed for use between two base cabinets
- Comfortable height for dressing table or writing surface when installed at 28½" height with 1½" thick countertop
- Slab drawer front all door styles
- May be trimmed up to 1" on each side

**NOTE: Full Extension Soft-Close Runner Not Available**

**Vanity Linen Cabinets**

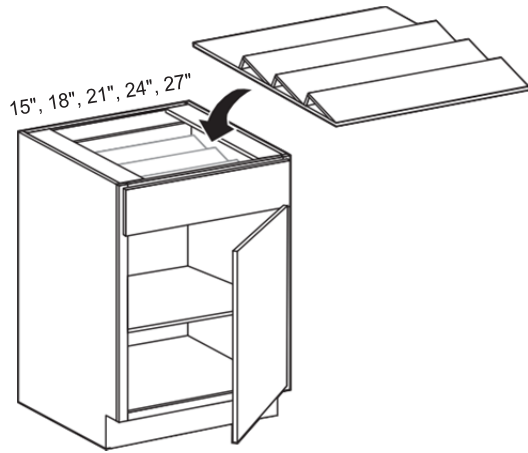
**21" Deep Two Door Linen**

**SPECIFY  
RIGHT or LEFT HINGED  
STANDARD  
21" DEPTH  
VLC182184**



- One fixed shelf dividing upper and lower doors, four adjustable shelves

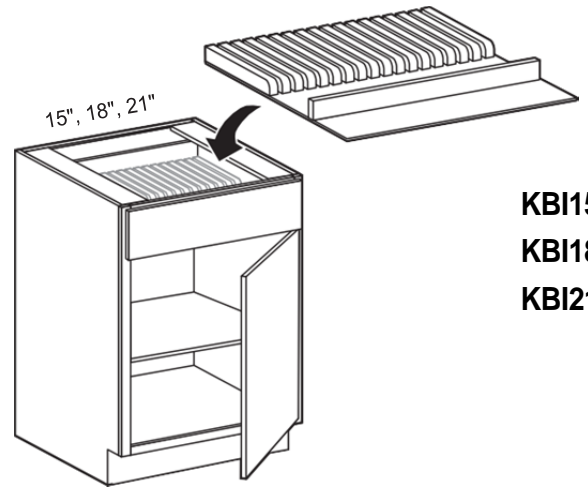
## Spice Drawer Insert



**SDI15**  
**SDI18**  
**SDI21**  
**SDI24**  
**SDI27**

- Solid hardwood drawer insert
- Three 5" high angled tiers
- Rear 4" deep compartment
- Sized to fit inside 15", 18", 21", 24", 27" wide drawers

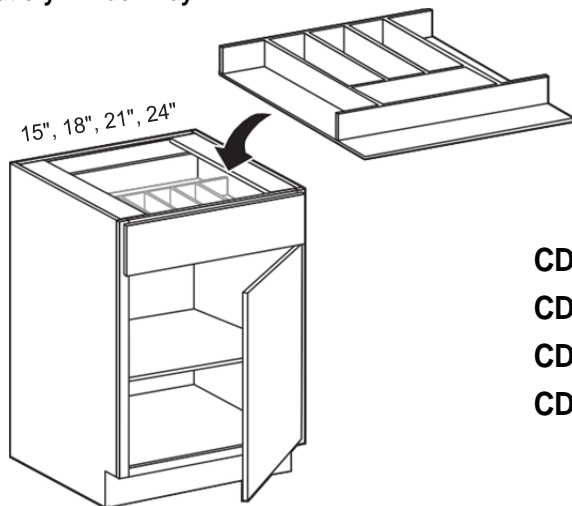
## Knife Block Insert



**KBI15**  
**KBI18**  
**KBI21**

- Solid hardwood drawer insert
- One full width front utensil compartment
- KBI15:** 10 knife slots + utensil compartment (fits B15, BD15)
- KBI18:** 13 knife slots + utensil compartment (fits B18, BD18, B36, BD36)
- KBI21:** 16 knife slots + utensil compartment (fits B21)

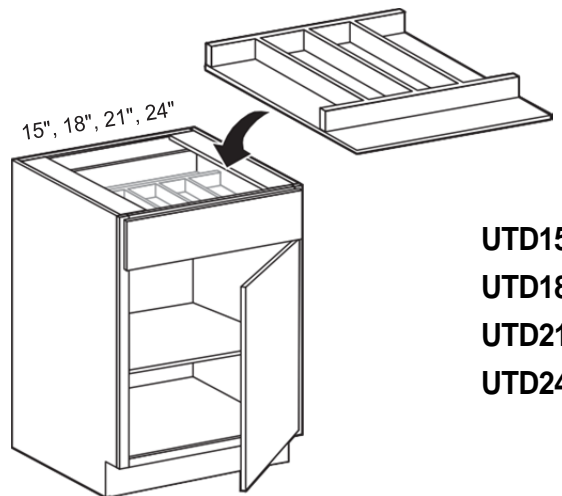
## Cutlery Divider Tray



**CDT15**  
**CDT18**  
**CDT21**  
**CDT24**

- Solid hardwood drawer insert
- One full width front utensil compartment
- CDT15:** 6 compartments 10"-14" deep (fits B15, BD15)
- CDT18:** 6 compartments 10"-14" deep (fits B18, BD18, B36, BD36)
- CDT21:** 8 compartments 10"-14" deep (fits B21)
- CDT24:** 8 compartments 10"-14" deep (fits B24, BD24)

## Utensil Divider Tray

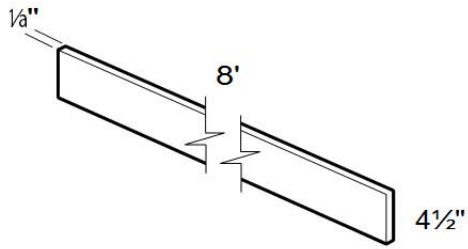


**UTD15**  
**UTD18**  
**UTD21**  
**UTD24**

- Solid hardwood drawer insert
- One full width front utensil compartment
- UTD15:** 2 additional compartments 16" deep (fits B15, BD15)
- UTD18:** 4 additional compartments 16" deep (fits B18, BD18, B36, BD36)
- UTD21:** 5 additional compartments 16" deep (fits B21)
- UTD24:** 5 additional compartments 16" deep (fits B24, BD24)

## 8' Finished Toe Kick – Matches Frame Color

**MTK8**



- 1/8" thick plywood finished with vinyl laminate color matched to cabinetry face frame
- Field modified and installed

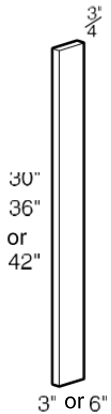
## Touch-Up Kit

**TUK**



- Includes fill stick, touch-up pen, and 4 door bumpers

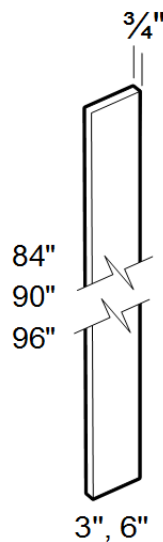
## Filler Strips



**FS30 FS630**  
**FS36 FS636**  
**FS42 FS642**  
**FS84**

- 3/4" thick solid wood
- Face and sides finished

## Tall Filler Strips

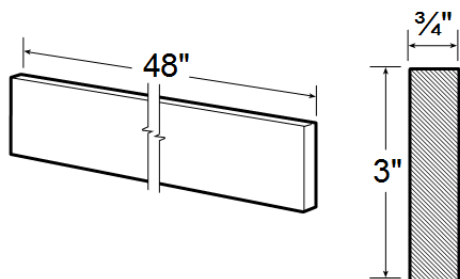


**FS84**  
**FS90**  
**FS96**  
**FS696**

- 3/4" thick solid wood
- Face and sides finished

## Valance

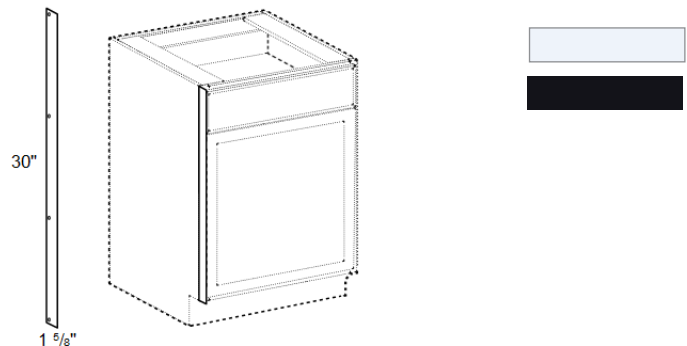
**VA48**



- 3/4" thick solid wood
- May be trimmed on each end

## Heat Shield

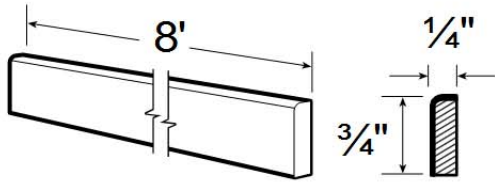
**HEAT\_SHIELD\_WHITE**  
**HEAT\_SHIELD\_BLACK**



- Helps protect cabinet doors adjacent to ovens
- Attaches to the cabinet face frame
- Available in White or Black

## Scribe Molding

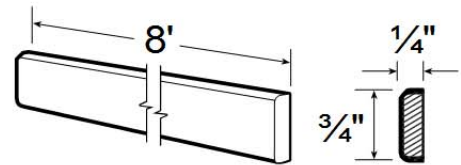
SM8



- 1/4" thick solid wood

## Batten Molding

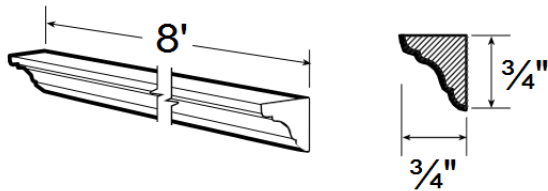
BM8



- 1/4" thick solid wood

## Inside Corner Molding

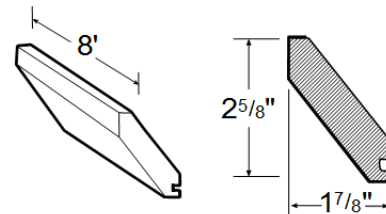
ICM8



- 3/4" thick solid wood

## Angle Crown Molding

ACM8

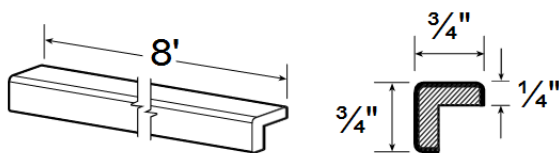


**DESIGN TIP:** When returning crown molding to the wall at the end of a run, allow at least 3" of wall space

- 3/4" thick solid wood
- Use with TMMS8 for top of cabinet installation

## Outside Corner Molding

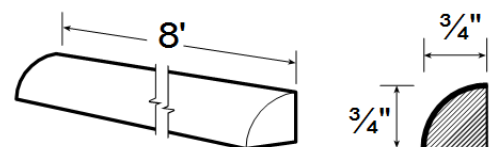
OSC8



- 3/4" thick solid wood

## Quarter Round

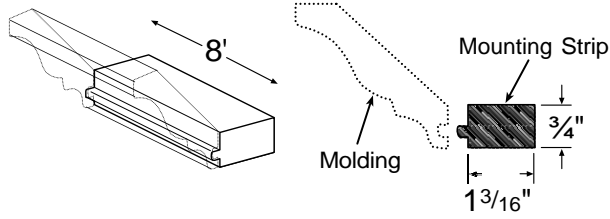
QR8



- 3/4" thick solid wood

**Top Molding Mounting Strip**

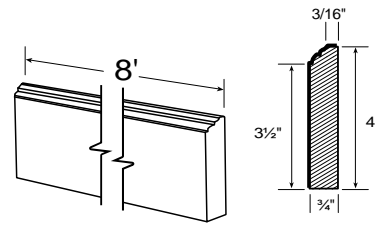
**TMMS8**



- 3/4" thick solid unfinished wood
- Recommended for installation of ACM8, CM8 moldings

**Furniture Base Molding**

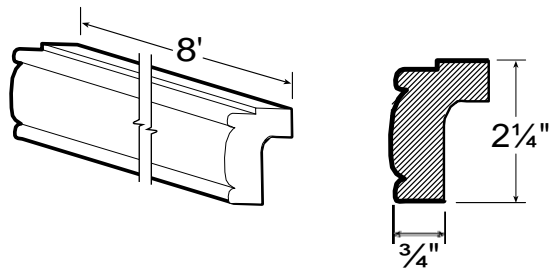
**FBM8**



- 3/4" thick solid wood

**Classic Light Rail**

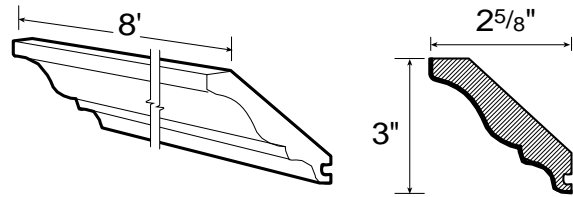
**CLR8**



- 3/4" thick solid wood

**Crown Molding**

**CM8**



- 3/4" thick solid wood
- Use with TMMS8 for top of cabinet installation





**NEW!**

- Matte black

**DH801-96MBL**

**4-1/4" Square Bar Pull**

3 3/4" center (96mm)

**DH801-128MBL**

**5-1/2" Square Bar Pull**

5" center (128mm)

**DH00801-17MBL**

**6-3/4" Square Bar Pull**

6-5/16" center (160mm)



**NEW!**

- Brushed nickel

**DH801-96BRN**

**4-1/4" Square Bar Pull**

3 3/4" center (96mm)

**DH801-128BRN**

**5-1/2" Square Bar Pull**

5" center (128mm)

**DH00801-17BRN**

**6-3/4" Square Bar Pull**

6-5/16" center (160mm)



**NEW!**

- Champagne Bronze

**DH873-96CHBR**

**4-1/4" Square Bar Pull**

3 3/4" center (96mm)

**DH873-128CHBR**

**5-3/8" Square Bar Pull**

5" center (128mm)

**DH873-160CHBR**

**6-3/4" Square Bar Pull**

6-5/16" center (160mm)



**NEW!**

- Brushed nickel

**DH5016-96BRN**

**5-3/8" Tubular Bar Pull**

3 3/4" center (96mm)

**DH5016-128BRN**

**6-5/8" Tubular Bar Pull**

5" center (128mm)

**DH5016-160BRN**

**7-7/8" Tubular Bar Pull**

6-5/16" center (160mm)



**NEW!**

- Champagne Bronze

**DH5016-96CHBR**

**5-3/8" Tubular Bar Pull**

3 3/4" center (96mm)

**DH5016-128CHBR**

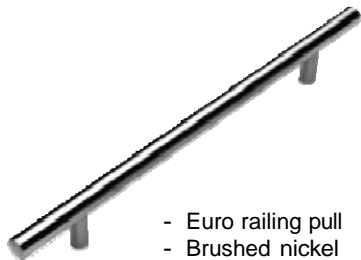
**6-5/8" Tubular Bar Pull**

5" center (128mm)

**DH5016-160CHBR**

**7-7/8" Tubular Bar Pull**

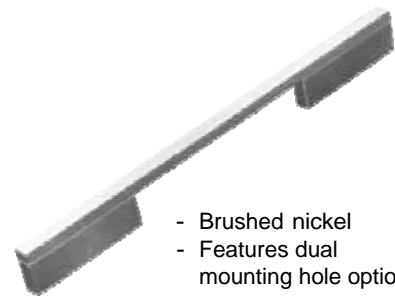
6-5/16" center (160mm)



- Euro railing pull
- Brushed nickel



- Brushed steel



- Brushed nickel
- Features dual mounting hole options

**DH45-100 - 6 15/16" Euro Pull**  
3-13/16" center (96mm)

**DH45-102 - 10 3/4" Euro Pull**  
7-9/16" center (192mm)

**DH45-104 - 14 7/8" Euro Pull\***  
11-3/4" center (298mm)

**DESIGN TIP:** Make sure to double check the length of drawer/door to ensure pull will fit the cabinet

**DH44-346 - 8" Square Bar Pull**  
7 1/2" center (196mm)

**DH44-348 - 9" Square Bar Pull**  
8-13/16" center (224mm)

**DH44-350 - 13" Square Bar Pull\***  
12-5/8" center (320mm)

**DH44-352 - 19" Square Bar Pull\***  
18-7/8" center (480mm)

**DH116-120 - 10" Quadra Pull**  
5" inside center (128mm)  
8-13/16" outside center (224mm)

**DH116-122 - 11" Quadra Pull**  
6-5/16" inside center (160mm)  
10-1/16" outside center (256mm)

**DH116-126 - 14" Quadra Pull**  
8-13/16" inside center (224mm)  
12-5/8" outside center (320mm)

**DH116-134 - 20" Quadra Pull\***  
15-1/8" inside center (384mm)  
18-7/8" outside center (480mm)

**DH116-136 - 24" Quadra Pull\***  
18-7/8" inside center (480mm)  
22-11/16" outside center (576mm)

\* Due to the overall length of this hardware, it is not compatible with drilling template HDWE TEMPLATE-AW.



**DH43-826**

- Elongated oval knob
- Antique pewter
- 2" length



**DH43-630**

- Elongated oval knob
- Oiled bronze
- 2" length



**DH93-152**

- Raised mitered knob
- Antique pewter
- 1-3/8" square



**DH43-828**

- Classic pull
- Antique pewter
- 3-3/4" center (96mm)
- 4-3/4" outside length



**DH43-632**

- Classic pull
- Oiled bronze
- 3-3/4" center (96mm)
- 4-3/4" outside length



**DH93-112**

- Raised mitered pull
- Antique pewter
- 3-3/4" (96mm) & 5" (128mm) center
- 6-3/8" outside length



**DH43-124**

- Octagon knob
- Antique silver
- 1-3/8" diameter



**DH43-618**

- Octagon knob
- Oiled bronze
- 1-3/8" diameter



**DH99-188**

- Round knob
- Brushed nickel
- 1-1/4" diameter



**DH43-114**

- Traditional pull
- Antique silver
- 3-3/4" center (96mm)
- 4-1/2" outside length



**DH43-614**

- Traditional pull
- Oiled bronze
- 3-3/4" center (96mm)
- 4-1/2" outside length



**DH99-128**

- Contemporary bow pull
- Brushed nickel
- 3-3/4" center (96mm)
- 5-1/4" outside length



**DH65-200**

- Birdcage knob
- Antique iron
- 2-1/2" length



**DH95-144**

- Square dimpled knob
- Matte nickel
- 1-1/4" square



**DH65-120**

- Birdcage pull
- Antique iron
- 3-3/4" center (96mm)
- 4" outside length



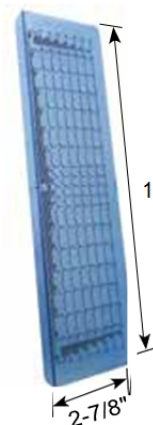
**DH95-104**

- Square dimpled pull
- Matte nickel
- 6-5/16" center (160mm)
- 7-1/2" outside length

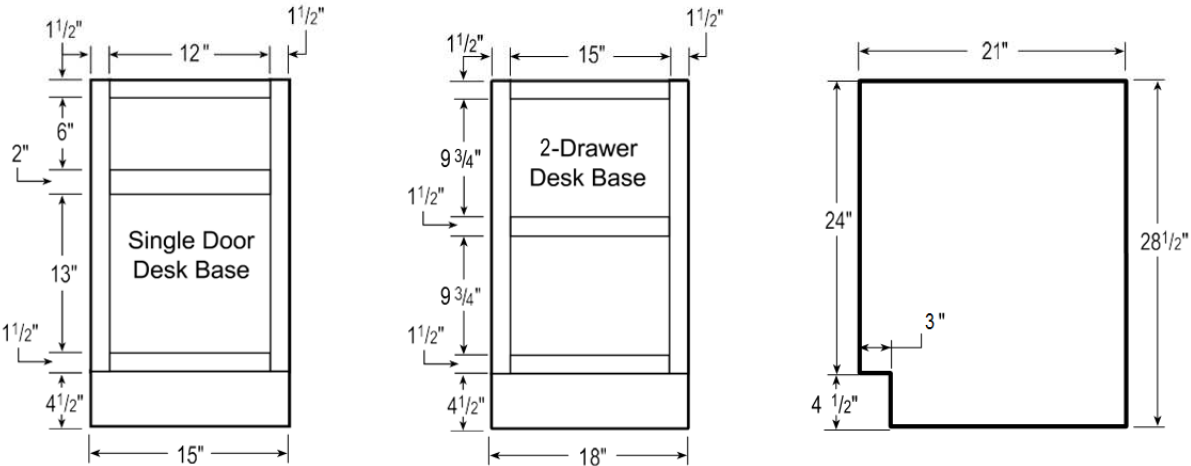
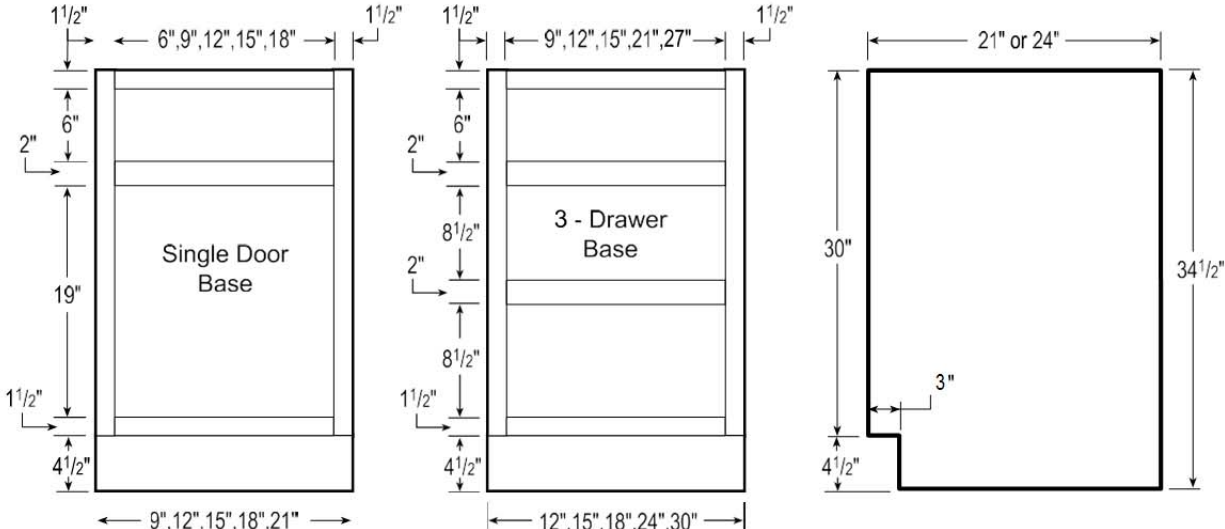
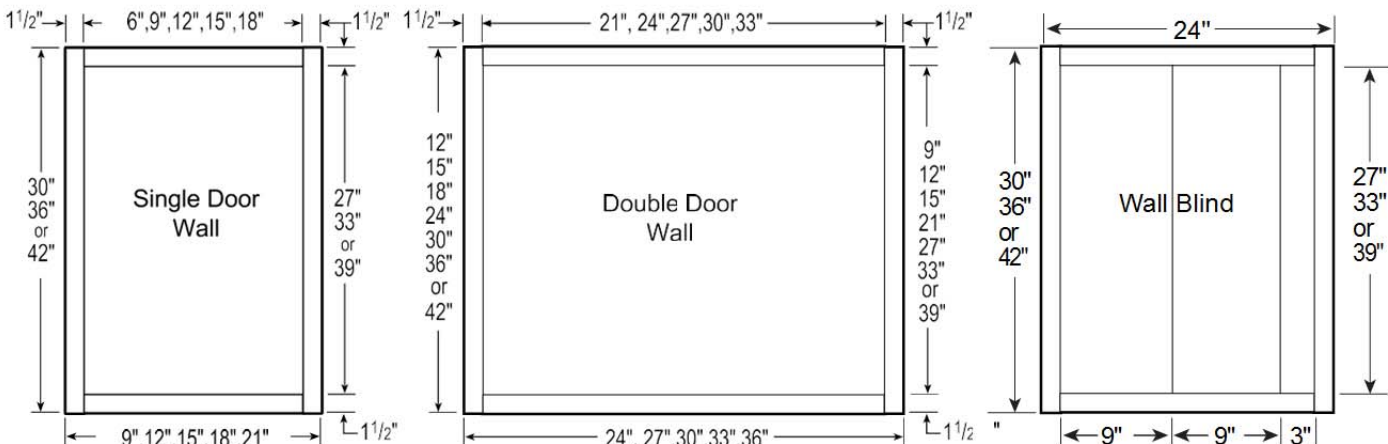
## HDWE TEMPLATE-AW

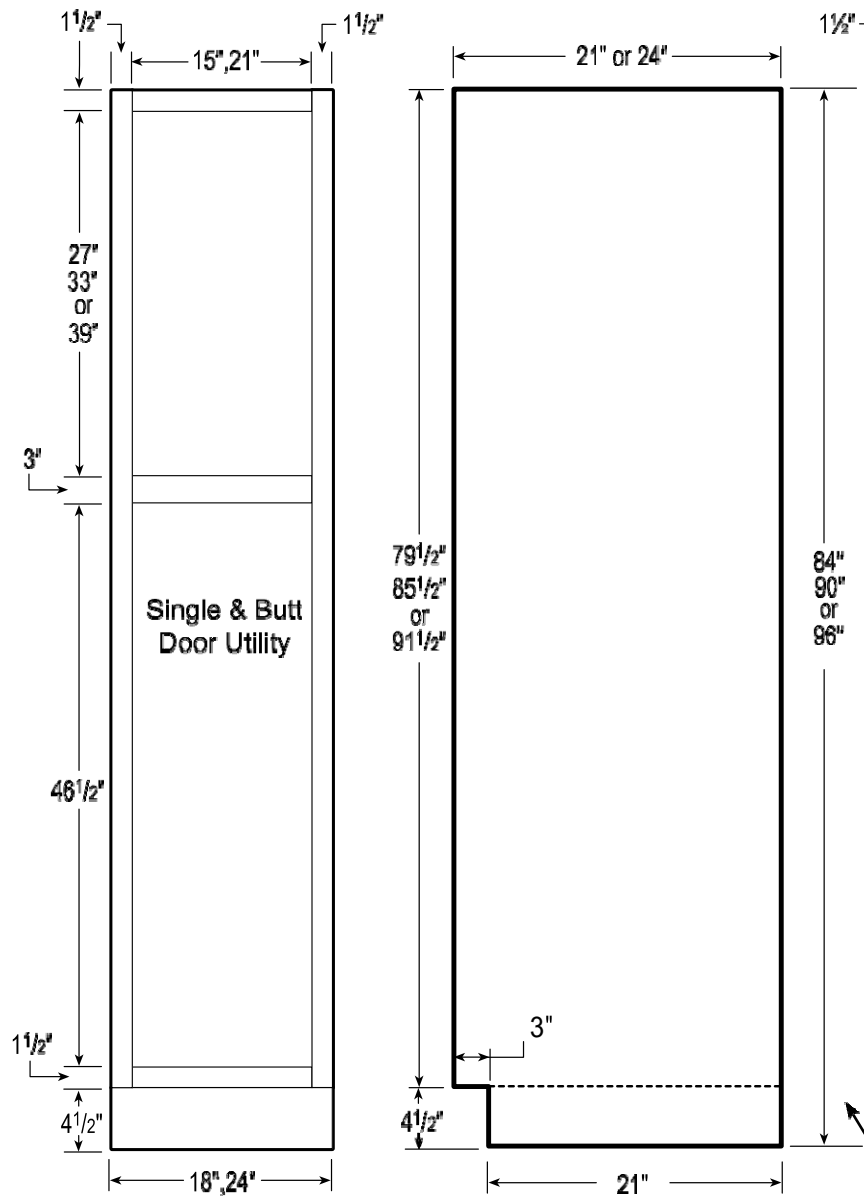
### Hardware Drilling Template

Align with door frame to quickly and accurately mark hole locations.

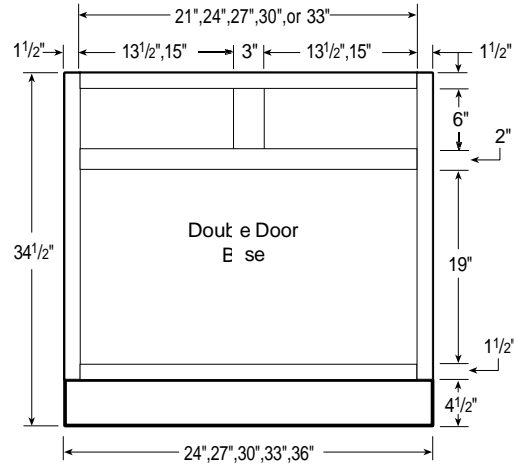


**NOTE:** Refer to the individual decorative hardware size specifications to determine compatibility with this template.

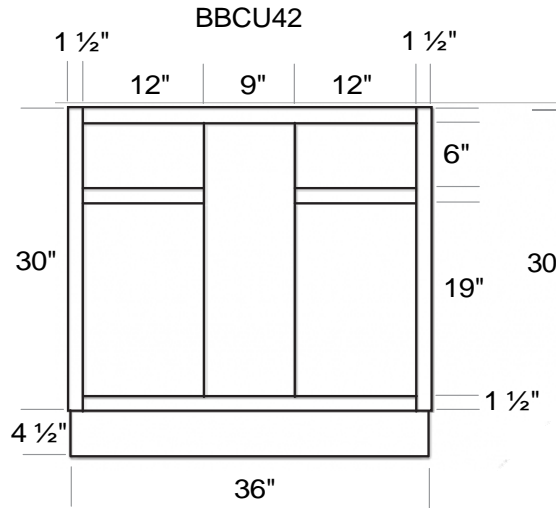




NOTE: 96" TALL CABINETS ARE SUPPLIED WITH LOOSE TOE KICK BOX (EXPOSED SIDES REQUIRE TSK96)



NOTE: B27, B30 have full width drawers



DRAWER BOX INSIDE DIMENSIONS						
CABINET	SHALLOW DRAWER			DEEP DRAWER		
	HEIGHT	DEPTH	WIDTH	HEIGHT	DEPTH	WIDTH
B12, BD12	4-3/8"	19-11/16"	6-7/8"	6-3/4"	19-11/16"	6-7/8"
VB1221, VBD1221	4-3/8"	16-11/16"	6-7/8"	6-3/4"	16-11/16"	6-7/8"
B15, BBCU42, BD15	4-3/8"	19-11/16"	9-7/8"	6-3/4"	19-11/16"	9-7/8"
VB1521, VBD1521	4-3/8"	16-11/16"	9-7/8"	6-3/4"	16-11/16"	9-7/8"
DDO15, DDR15	4-3/8"	19-11/16"	9-7/8"	N/A	N/A	N/A
B18, BD18	4-3/8"	19-11/16"	12-7/8"	6-3/4"	19-11/16"	12-7/8"
VB1821, VBD1821	4-3/8"	16-11/16"	12-7/8"	6-3/4"	16-11/16"	12-7/8"
B21	4-3/8"	19-11/16"	15-7/8"	N/A	N/A	N/A
B24, BD24	4-3/8"	19-11/16"	18-7/8"	6-3/4"	19-11/16"	18-7/8"
VB2421	4-3/8"	16-11/16"	18-7/8"	N/A	N/A	N/A
B27	4-3/8"	19-11/16"	21-7/8"	N/A	N/A	N/A
B30, BD30	4-3/8"	19-11/16"	24-7/8"	6-3/4"	19-11/16"	24-7/8"
VB3021	4-3/8"	16-11/16"	24-7/8"	N/A	N/A	N/A
VBD30	4-3/8"	16-11/16"	24-7/8"	6-3/4"	16-11/16"	24-7/8"
B33	4-3/8"	19-11/16"	11-1/4"	N/A	N/A	N/A
B36, BD36	4-3/8"	19-11/16"	12-7/8"	6-3/4"	19-11/16"	30-7/8"
VB3621	4-3/8"	16-11/16"	12-7/8"	N/A	N/A	N/A

# 2 DAY\* EXPRESS



Grandior.net  
410-415-1451

\*2 Business Days

